

DS-2CD2F52F-I (S) 5MP CMOS ICR Infrared Network Dome Camera



Key Features

- Up to 5 megapixel high resolution
- Auto-electronic shutter
- Dual video streams
- 2.8mm/4mm/6mm fixed lens
- Digital Wide Dynamic Range
- 3D Digital Noise Reduction
- Support on-board storage, up to 128GB
- DC12V & PoE
- Up to 10m IR range
- pan and tilt
- Reset button
- -S: Audio/Alarm IO
- Mobile Monitoring via EZVIZ P2P or iVMS-4500



Specifications

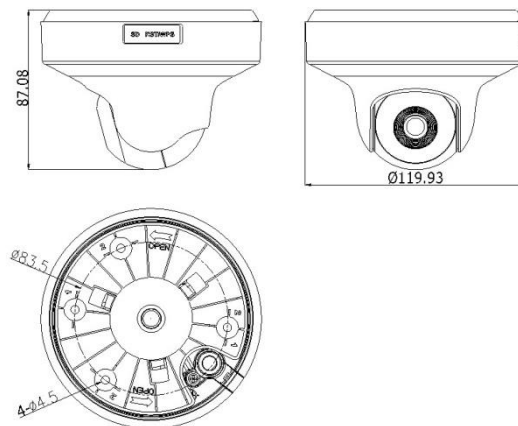
| Camera | |
|-----------------------------|--|
| Image Sensor | 1/3" Progressive Scan CMOS |
| Min. Illumination | 0.01Lux @ (F1.2, AGC ON), 0 Lux with IR, 0.028Lux @ (F2.0, AGC ON) ,0 Lux with IR |
| Shutter Speed | 1/3 s to 1/10,000 s |
| Lens | 2.8mm, 4mm, 6mm @ F2.0 |
| Lens Mount | M12 |
| Day & Night | IR cut filter with auto switch |
| DNR | 3D DNR |
| Wide Dynamic Range | DWDR |
| Angle Adjustment | Pan: -90° - 90°, Tilt: 0° - 75° |
| Compression Standard | |
| Video Compression | H.264+/H.264 / MJPEG |
| H.264 Type | Main Profile |
| Video Bit Rate | 256 Kbps ~ 16 Mbps |
| Dual Streams | Support |
| Image | |
| Max. Resolution | 2560×1920 |
| Main Stream | 50Hz: 20fps (2560×1920), 25fps (2048×1536), 25fps(1920×1080), 25fps(1280×720) 60Hz: 20fps (2560×1920), 30fps (2048×1536), 30fps(1920×1080), 30fps(1280×720) |
| Sub Stream | 50Hz: 25fps (352×288, 640×480) 60Hz: 30fps (352×240, 640×480) |
| Others | Saturation, Brightness, Contrast adjustable by client software or web browser, Mirror, BLC, ROI, Dual Stream, Anti-Flicker, Privacy Mask, |
| Network | |
| Network Storage | NAS (Support NFS,SMB/CIFS), ANR |
| Alarm Trigger | Motion Detection, Tampering Alarm, Intrusion Detection, Line Crossing Detection, HDD Full, HDD Error, Network Disconnected, IP Address Conflicted, Illegal login |
| Protocols | TCP/IP, UDP, ICMP, HTTP, HTTPS, FTP, DHCP, DNS, DDNS, RTP, RTSP, RTCP, PPPoE, NTP, UPnP, SMTP, SNMP, IGMP, 802.1X, QoS, IPv6, Bonjour |
| Standard | ONVIF (PROFILE S, PROFILE G), PSIA, CGI, ISAPI |
| General Function | Password Protection, Privacy Mask, IP Address Filtering, Anonymous Access |
| Interface | |
| Communication Interface | 1 RJ45 10M/100M Ethernet port |
| On-board Storage | Built-in Micro SD/SDHC/SDXC slot, up to 128GB |
| Alarm Interface | 1x alarm I/O *only for –S models |
| Audio Interface | 1x audio I/O *only for –S models |
| Reset | Yes |

| General | |
|----------------------|--|
| Operating Conditions | -10 °C – 40 °C (14 °F – 104 °F), Humidity 95% or less (non-condensing) |
| Power Supply | DC12V ± 10%, PoE (802.3af) |
| Power Consumption | Max. 5 W, Max. 9W with pan and tilt |
| IR Range | Max. 10 meters |
| Dimensions | Φ 119.93×87.08 mm (4.7"×3.4") |
| Weight | 500g (1.1 lbs) |

Order Models

DS-2CD2F52F-I, DS-2CD2F52F-IS
 -S: Audio/Alarm IO,

Dimension



Camera Accessories



Wall Mount
DS-1294ZJ



Junction box
DS-1280ZJ-PT3

Distributed by



Headquarters

No.555 Qianmo Road, Binjiang District,
Hangzhou 310051, China
T +86-571-8807-5998
overseasbusiness@hikvision.com

Hikvision Poland
T +48-22-460-01-50
poland@hikvision.com

Hikvision USA
T +1-909-895-0400
sales.usa@hikvision.com

Hikvision India
T +91-22-28469900
sales@pramahikvision.com

Hikvision UK
T +44-1628-9021-4
support.uk@hikvision.com

Hikvision Europe
T +31-23-5542770
saleseuro@hikvision.com

Hikvision Italy
T +39-0438-6902
info.it@hikvision.com

Hikvision Singapore
T +65-6684-4718
sg@hikvision.com

Hikvision Middle East
T +971-4-8816086
salesme@hikvision.com

Hikvision France
T +33(0)1-85-330-444
info.fr@hikvision.com

Hikvision Oceania
T +61-2-8599-4233
salesau@hikvision.com

Hikvision Russia
T +7-495-669-67-99
saleru@hikvision.com

Hikvision Spain
T +34-91-737-16-55
info.es@hikvision.com

Hikvision Hong Kong
T +852-2151-1761