

DS-TL2002C I Supplement Light



DS-TL2002CI is a supplement light with IR light source and patented design of the lamp cooling structure and a constant current drive control. The products can be widely used in electronic police, security surveillance, speed detection, toll stations, entrance & exit control and road monitoring system.

Key features including:

- Adopt aluminum alloy light body, fin-type radiator, and high light transmission with tempering glass.
- LED IR chips with long lifespan, good stability and high luminous efficiency.
- Professional optical design, light uniformity and distinct target spot.
- Adopt advanced constant current drive technology, which make the current control accurate and stable, enhance the product reliability and reduce the light attenuation effectively.
- Adopt remote forcible open of the via a control line.
- Support fault signal detection of supplement light (optional).
- The novelty design of the light, such as small size, light weight and high adaptability, make it quite easy for installation and adjustment.
- The IP65 design make it waterproof and dustproof unfailingly
- Green environmental protection without harmful metal such as mercury and lead

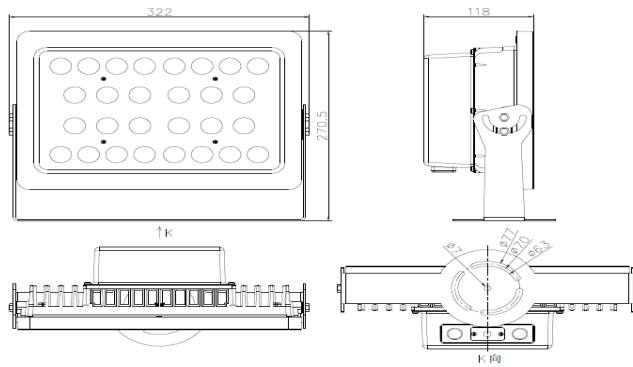


DS-TL2002CI Supplement Light

Specification

| Supplement Light | |
|--------------------------------------|--|
| Light type | IR light |
| Wave Length | ≥850 nm(Infrared) |
| LED lamp beads | 28 |
| Angle Of Light | 40° |
| Effective Distance | 16-25 m |
| Response time | ≤20us |
| Day and night function | Support ambient brightness detection, automatic start-up at low illumination |
| Brightness Control | Two grades of brightness control |
| Remote Control | Adopt remote start-up the supplement light via a control line |
| Supplement light Exception detection | the fault output port output high voltage (typically 5V) [optional], when the light is turned on and the supplement light output current is too large or too small |
| Service Life | ≥50000H |
| Housing material | Die-cast aluminum |
| Power Supply | AC220V ± 20%, 47Hz~63Hz |
| Consumption | Max.60W,Lower Grade 30W (Determined by control model) |
| Operating Temperature | -40℃~+70℃ |
| Operating Humidity | 10%~90%,no condensation |
| Weather proof rating | IP65 |
| Dimension | 322mm(W)×270.5mm(H)×118mm(D) |

Dimensions



| | |
|----------------|--|
| Mounting model | Support front-mounted (bracket rotation angle $-90^{\circ} \sim +90^{\circ}$) |
| Weight | 6.28Kg |

Order Model:

DS-TL2002CI