

## DS-2CD2120F-I(W)(S)



### Key Features

- Up to 2 megapixel (1920 × 1080) resolution
- Standard video compression with high compression ratio, ROI (region of interest) encoding
- Progressive scan CMOS, capture motion video without incised margin
- Support dual stream, and the sub-stream for mobile surveillance
- High-performance and long service life Infrared LED, Approx. 10 to 30 meters IR range
- Two-way audio(-S)
- Audio I/O(-S)
- Support Wi-Fi(-W)
- IR cut filter with auto switch
- PoE (Power over Ethernet)
- Built-in Micro SD/SDHC/SDXC card slot, up to 128 GB
- Ingress Protection level: IP67
- Impact Protection: IEC60068-2-75 test, Eh, 20J; EN50102, up to IK10
- Other functions: rotate mode, alarm, mirror, reset button, etc
- Support smart function: Intrusion detection and line crossing detection
- Support VCA, which is compatible with NVR for the second time of video searching and analysing

### Specification

|                   |   |
|-------------------|---|
| Model             | DS-2CD2120F-I(W)(S)                               |
| Parameter         | 2 Megapixel CMOS Vandal-proof Network Dome Camera |
| Camera            |   |
| Image Sensor      | 1/2.8" Progressive Scan CMOS                      |
| Min. Illumination | 0.01Lux @ (F1.2, AGC ON) ,0 Lux with IR           |

|                             |   |
|-----------------------------|---|
|                             | 0.028 Lux @ (F2.0, AGC ON) ,0 Lux with IR   |
| Shutter Speed               | 1/3 s to 1/100,000 s  |
| Lens                        | 4mm@ F2.0 (2.8mm, 6mm optional)   |
|                             | Angle of view: 106°(2.8mm), 85°(4mm) , 52°(6mm)   |
| Lens Mount                  | M12   |
| Day &Night                  | IR cut filter with auto switch  |
| Digital Noise Reduction     | 3D DNR  |
| Wide Dynamic Range          | Digital WDR   |
| Angle Adjustment            | Pan:0° - 355°, Tilt: 0° - 75°, Rotation: 0-355°   |
| <b>Compression Standard</b> |   |
| Video Compression           | H.264/ MJPEG  |
| H.264 Type                  | Main Profile  |
| Video Bit Rate              | 32 Kbps – 8 Mbps  |
| Dual Stream                 | Yes   |
| Audio Compression(-S)       | G.711/G.722.1/G.726/MP2L2   |
| Audio Bit Rate(-S)          | 64Kbps(G.711) /16Kbps(G.722.1)/16Kbps(G.726) /32-128Kbps(MP2L2)   |
| <b>Image</b>                |   |
| Max. Resolution             | 1920 x 1080   |
| Frame Rate                  | 50Hz: 25fps(1920 × 1080), 25fps (1280 × 960), 25fps (1280 × 720)<br>60Hz: 30fps(1920 × 1080), 30fps (1280 × 960), 30fps (1280 × 720)                                    |
| Image Settings              | Rotate mode, Saturation, Brightness, Contrast adjustable by client software or web browser  |
| Backlight compensation      | Yes, zone optional  |
| ROI                         | Support   |
| <b>Network</b>              |   |
| Network Storage             | Local storage: Built-in Micro SD/SDHC/SDXC card slot, up to 128 GB.<br>NAS (Support NFS,SMB/CIFS)   |
| Alarm Trigger               | Intrusion detection, Line crossing detection, Motion detection, Dynamic Analysis, Tampering alarm, Network disconnect, IP address conflict, Storage full, Storage error |
| Protocols                   | TCP/IP,ICMP,HTTP,HTTPS,FTP,DHCP,DNS,DDNS,RTP,RTSP,RTCP, NTP,UPnP,SMTP,IGMP,802.1X,QoS,IPv6,Bonjour  |
| Security                    | User Authentication, Watermark  |
| Standard                    | ONVIF, PSIA, CGI, ISAPI   |
| <b>Interface</b>            |   |
| Communication Interface     | 1 RJ45 10M/100M Ethernet interface  |

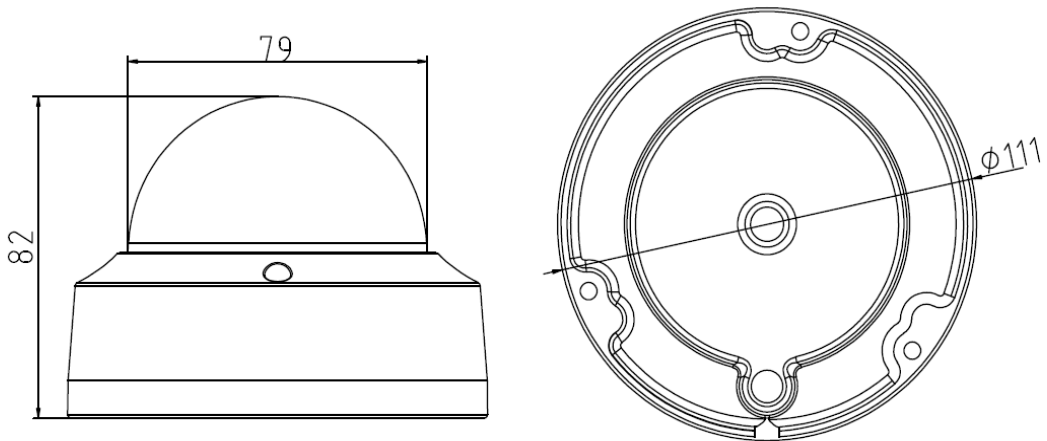
|  |   |
|--|---|
| Alarm interface  | -S: 1 alarm I/O   |
| Audio interface  | -S: 1 audio I/O   |
| <b>Wi-Fi Specification(Only for the products with Wi-Fi module built-in)</b> |   |
| Wireless Standards   | IEEE802.11b, 802.11g, 802.11n   |
| Frequency Range  | 2.4 GHz ~ 2.4835 GHz  |
| Channel Bandwidth  | 20/40MHz Support  |
| Protocols  | 802.11b: CCK, QPSK, BPSK<br>802.11g/n: OFDM   |
| Security   | 64/128-bit WEP, WPA/WPA2, WPA-PSK/WPA2-PSK, WPS   |
| Transmit Output Power  | 11b: 17±1.5dBm @ 11Mbps<br>11g: 14±1.5dBm @ 54Mbps<br>11n: 12.5±1.5dBm                    |
| Receive Sensitivity  | 11b: -90dBm @ 11Mbps (Typical)<br>11g: -75dBm @ 54Mbps (Typical)<br>11n: -74dBm (Typical) |
| Transfer Rates   | 11b: 11Mbps<br>11g: 54Mbps<br>11n: up to 150Mbps  |
| Wireless Range   | 50m(depend on environment)  |
| Wireless Standards   | IEEE802.11b, 802.11g, 802.11n   |
| <b>General</b>   |   |
| Operating Conditions   | -30 °C – 60 °C (-22 °F – 140 °F)<br>Humidity 95% or less (non-condensing)                 |
| Power Supply   | 12 V DC ± 10%<br>PoE (802.3af)  |
| Power Consumption  | Max. 5.3W   |
| Ingress Protection level   | IP67  |
| IR Range   | 30 meters   |
| Impact Protection  | IEC60068-2-75Eh, 20J; EN50102, up to IK10   |
| Dimensions   | Φ111 × 82 (4.4" × 3.2")   |
| Weight   | 500g (1.1 lb)   |

\* "-W" series support Wi-Fi (802.11b/g/n) and the modules with Wi-Fi function don't support the 802.1X protocol.

## Order Models

DS-2CD2120F-I, DS-2CD2120F-IW, DS-2CD2120F-IS, DS-2CD2120F-IWS

## Dimensions



## Accessories



Inclined ceiling mount  
DS-1259ZJ



Wall mount  
DS-1272ZJ-110