

## DS-7200HUHI-F1/N SERIES TURBO HD DVR

### Features and Functions

#### Video Input and Transmission

- Connectable to HDTV, AHD and analog cameras
- Up to 2-ch 4 MP IP cameras input
- Long distance transmission over UTP and coaxial cable with max. 1200m for the 720p and max. 800m for the 1080p HDTV signal

#### Compression and Recording

- One-key enable H.264+ compression to improve encoding efficiency by up to 50% and reduce data storage costs
- Full channel recording at up to 3 MP resolution

#### Video Output

- Simultaneous HDMI/VGA output at up to 1920 × 1080 resolution for DS-7204HUHI-F1/N and 4K (3840 × 2160) resolution for HDMI output of DS-7208HUHI-F1/N
- Independent CVBS output improves compatibility at the most possibility and serves as the aux output or live view output only

#### Storage and Playback

- One SATA interface (up to 6 TB capacity per HDD)
- 4/8-ch synchronous playback
- Smart search for efficient playback
- Supports the 3<sup>rd</sup> party cloud storage (Dropbox/Google Drive/Microsoft OneDrive)

#### Smart Function

- Supports multiple VCA (Video Content Analytics) events for both analog and smart IP cameras
- Supports line crossing detection and intrusion detection of all channels
- VQD (Video Quality Diagnostics)
- Unlock pattern for device login for the *admin* and clear-text password available
- GUID file can be exported for password resetting and imported for finding the forgotten password
- Supports PTZ control via Omnicast VMS of Genetec protocol

#### Network & Ethernet Access

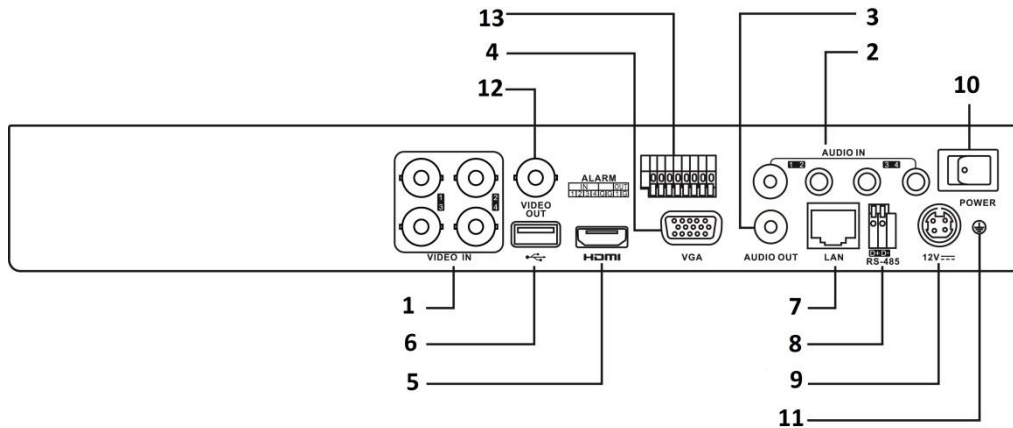
- Hik Cloud P2P & HiDDNS (Dynamic Domain Name System) for easy network management
- One gigabit Ethernet network interface (for DS-7208HUHI-F1/N)
- Output bandwidth limit configurable



## Specifications

| Model                     | DS-7204HUHI-F1/N                 |   | DS-7208HUHI-F1/N  |   |  |
|---------------------------|----------------------------------|---|---|---|--|
| <b>Video/Audio input</b>  | <b>Video compression</b>         | H.264+/H.264  |   |   |  |
|                           | <b>Analog video input</b>        | 4-ch  | 8-ch  |   |  |
|                           |                                  | BNC interface (1.0 Vp-p, 75 Ω), supporting coaxitron connection   |   |   |  |
|                           | <b>HDTV input</b>                | 1080p25, 1080p30, 720p25, 720p30, 720p50, 720p60, 3 MP  |   |   |  |
|                           | <b>AHD input</b>                 | 1080p25, 1080p30, 720p25, 720p30  |   |   |  |
|                           | <b>CVBS input</b>                | Support   |   |   |  |
|                           | <b>IP video input</b>            | 2-ch<br>Up to 4 MP resolution   |   |   |  |
|                           | <b>Audio compression</b>         | G.711u  |   |   |  |
| <b>Video/Audio output</b> | <b>Audio input</b>               | 4-ch, RCA (2.0 Vp-p, 1 KΩ)  |   |   |  |
|                           | <b>CVBS output</b>               | 1-ch, BNC (1.0 Vp-p, 75 Ω), resolution: PAL: 704 × 576, NTSC: 704 × 480   |   |   |  |
|                           | <b>HDMI/VGA output</b>           | 1-ch, 1920 × 1080/60Hz, 1280 × 1024/60Hz, 1280 × 720/60Hz, 1024 × 768/60Hz  | <b>VGA:</b> 1-ch, 1920 × 1080/60Hz, 1280 × 1024/60Hz, 1280 × 720/60Hz, 1024 × 768/60Hz<br><b>HDMI:</b> 1-ch, 4K (3840 × 2160)/30Hz, 2K (2560 × 1440)/60Hz, 1920 × 1080/60Hz, 1280 × 1024/60Hz, 1280 × 720/60Hz, 1024 × 768/60Hz |   |  |
|                           | <b>Encoding resolution</b>       | 3 MP/1080p/720p/WD1/4CIF/VGA/CIF  |   |   |  |
|                           | <b>Frame rate</b>                | Main stream:<br>3 MP@15fps;<br>1080p/720p/WD1/4CIF/VGA/CIF@25fps (P)/30fps (N)<br>Sub-stream:<br>WD1/4CIF@12fps;<br>CIF/QVGA/QCIF@25fps (P)/30fps (N) |   |   |  |
|                           | <b>Video bit rate</b>            | 32 Kbps to 10 Mbps  |   |   |  |
|                           | <b>Audio output</b>              | 1-ch, RCA (Linear, 1 KΩ)  |   |   |  |
|                           | <b>Audio bit rate</b>            | 64 Kbps   |   |   |  |
|                           | <b>Dual stream</b>               | Support   |   |   |  |
|                           | <b>Stream type</b>               | Video, Video & Audio  |   |   |  |
|                           | <b>Synchronous playback</b>      | 4-ch  | 8-ch  |   |  |
|                           | <b>Network management</b>        | <b>Remote connections</b>   | 128   |   |  |
|                           |                                  | <b>Network protocols</b>  | TCP/IP, PPPoE, DHCP, Hik Cloud P2P, DNS, DDNS, NTP, SADP, NFS, iSCSI, UPnP™, HTTPS, ONVIF   |   |  |
|                           | <b>Hard disk</b>                 | <b>SATA</b>   | 1 SATA interface  |   |  |
|                           |                                  | <b>Capacity</b>   | Up to 6 TB capacity for each disk   |   |  |
| <b>External interface</b> | <b>Two-way audio input</b>       | 1-ch, RCA (2.0 Vp-p, 1 KΩ) (using the audio input)  |   |   |  |
|                           | <b>Network interface</b>         | 1, RJ45 10M/100M self-adaptive Ethernet interface   | 1, RJ45 10M/100M/1000M self-adaptive Ethernet interface   |   |  |
|                           | <b>USB interface</b>             | 2 × USB 2.0   |   | Front panel: 1 × USB 2.0<br>Rear panel: 1 × USB 3.0 |  |
|                           | <b>Serial interface</b>          | RS-485 (half-duplex)  |   |   |  |
|                           | <b>Alarm in/out</b>              | 4/1   | 8/4   |   |  |
| <b>General</b>            | <b>Power supply</b>              | 12 VDC  |   |   |  |
|                           | <b>Consumption (without HDD)</b> | ≤ 15 W  | ≤ 20 W  |   |  |
|                           | <b>Working temperature</b>       | -10 °C to +55 °C (14 °F to 131 °F)  |   |   |  |
|                           | <b>Working humidity</b>          | 10% to 90%  |   |   |  |
|                           | <b>Dimensions (W × D × H)</b>    | 315 × 242 × 45 mm (12.4 × 9.5 × 1.8 inch)   |   |   |  |
|                           | <b>Weight (without HDD)</b>      | ≤ 1.5 kg (3.3 lb)   | ≤ 2 kg (4.4 lb)   |   |  |

## Physical Interfaces



The rear panel of DS-7208HUHI-F1/N provides 8 video input interfaces.

| Index | Description              | Index | Description             |
|-------|--------------------------|-------|-------------------------|
| 1     | VIDEO IN                 | 8     | RS-485 Serial Interface |
| 2     | AUDIO IN, RCA Connector  | 9     | 12 VDC Power Input      |
| 3     | AUDIO OUT, RCA Connector | 10    | Power Switch            |
| 4     | VGA Interface            | 11    | GND                     |
| 5     | HDMI Interface           | 12    | VIDEO OUT               |
| 6     | USB Interface            | 13    | Alarm In/Out            |
| 7     | LAN Network Interface    |       |                         |

Distributed by

## Available Models

DS-7204HUHI-F1/N, DS-7208HUHI-F1/N

## HIKVISION®

### Headquarters

No.555 Qianmo Road, Binjiang District,  
Hangzhou 310051, China  
T +86-571-8807-5998  
overseasbusiness@hikvision.com

**Hikvision USA**  
T +1-909-895-0400  
sales.usa@hikvision.com

**Hikvision Italy**  
T +39-0438-6902  
info.it@hikvision.com

**Hikvision Singapore**  
T +65-6684-4718  
sg@hikvision.com

**Hikvision Africa**  
T +27 (10) 0351172  
sale.africa@hikvision.com

**Hikvision Europe**  
T +31-23-55-42-770  
info.eu@hikvision.com

**Hikvision France**  
T +33(0)1-85-330-450  
info.fr@hikvision.com

**Hikvision Oceania**  
T +61-2-8599-4233  
salesau@hikvision.com

**Hikvision Hong Kong**  
T +852-2151-1761

**Hikvision Middle East**  
T +971-4-8816086  
salesme@hikvision.com

**Hikvision Spain**  
T +34-91-737-16-55  
info.es@hikvision.com

**Hikvision Canada**  
T +1-909-895-0400  
sales.usa@hikvision.com

**Hikvision Russia**  
T +7-495-669-67-99  
saleru@hikvision.com

**Hikvision Poland**  
T +48-22-460-01-50  
poland@hikvision.com

**Hikvision Korea**  
T +82-31-731-8841  
sales.korea@hikvision.com

**Hikvision India**  
T +91-22-28469900  
sales@pramahikvision.com

**Hikvision UK**  
T +01628-902140  
support.uk@hikvision.com

**Hikvision Brazil**  
T +55 11 3318-0050  
Latam.support@hikvision.com