

iDS-TCV300/900-A(6)I /H1 Highly Performance ANPR Camera



Superiority

- Dedicated camera for ANPR
 - HD resolution
 - Professional shutter speed control
- Built-in ANPR engine, equipped with deep learning algorithm
- Multiple detection and recognition
 - Vehicle type recognition
 - Vehicle color recognition
 - Vehicle Manufacturer
 - Radar speed measurement

Application

- Vehicle control
- Traffic monitoring
- Security

Scenarios

- Highway
- Tunnel
- Urban road

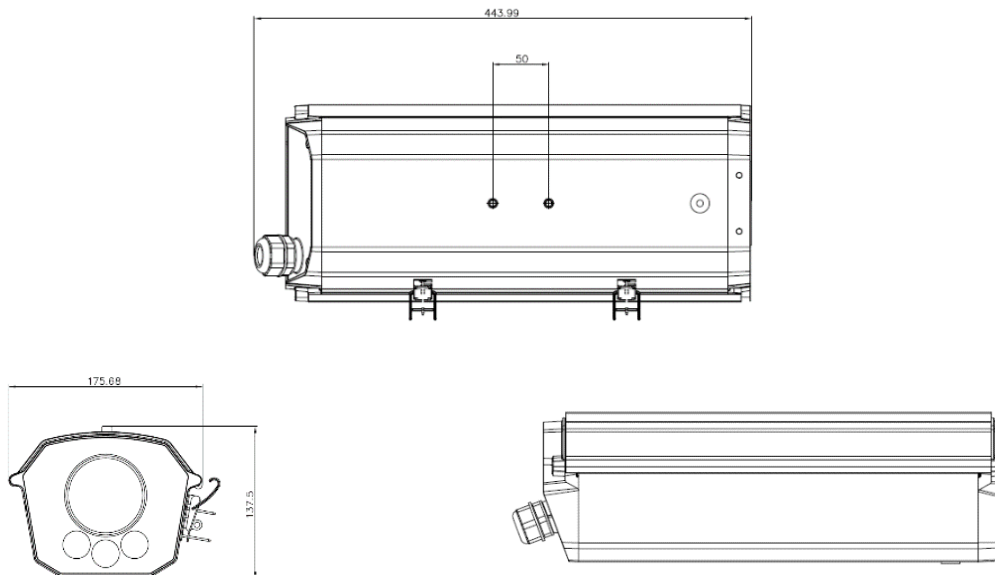


Specifications

| Model | iDS-TCV300-A6I/1140/H1 | iDS-TCV900-AI/25/H1 |
|--|--|--|
| Software Features and Performance | | |
| Working Distance | Up to 35 m (with 11 to 40 mm focal length) | Up to 27 m (with 25 mm focal length) |
| Coverage | 1 lane | 2~3 lanes |
| Detection Sensitivity | 99% | |
| LPR Accuracy | > 97% | |
| LPR Region | Mid-East, Africa, Asia-Pacific, India, America, Europe, Russian-Speaking Countries | |
| Supplement Light | Strobe light/Xenon flash light | |
| OCR | On-board ANPR engine | |
| Frame rate | 50 fps | 25fps |
| Vehicle Type | Car/Van/Bus/Truck/Others | |
| Vehicle Color | Recognizable at daytime only | |
| Vehicle Manufacturer | Support | |
| Capture Speed Range | 5 to 250 km/h | |
| Video Compression | H.265/H.264/MJPEG | |
| Streaming | RTSP | |
| Configuration | | |
| Web Server | Support | |
| TCP/IP Server | SDK | |
| Time Synchronization | NTP/GPS/Manually | |
| Software Update | Web/SDK | |
| Data Transmission | | |
| FTP | FTP, Multiple FTP | |
| Standard Protocols | TCP/IP, HTTP, HTTPS, FTP, DNS, DDNS, RTP, RTSP, RTCP, NTP, UPnP, IPv6, UDP | |
| Serial Port | 3 RS-485 ports, 1 RS-232 port | |
| Data Output | SDK/ISAPI | |
| Trigger Mode | | |
| By Video | Continuous video analysis with automatic vehicle detection, even without plate. | |
| By External Interfaces | I/O, RS-485 | |
| System | | |
| ANPR Camera | 3 MP (1/1.8" GMOS), max. 2064 × 1544 | 9 MP (1" GMOS), max. 4096 × 2160 |
| Supplement Light | 3 LED supplement lights (strobe) , angle: 40°, light supplement for license plate up to 30 m far away | |
| Programming Interface | ONVIF (Version 2.1), ISAPI | |
| Lens | CS-Mount, 11 to 40 mm horizontal field: 36.7~11.5° ,vertical field:23.9~7.6° C-Mount (with adapter ring needed) | CS-Mount, 25 mm horizontal field:41.12° , vertical field:31° C-Mount (with adapter ring needed) |
| Operating System | Linux | |
| Digital I/O | 4-ch inputs, 6-ch outputs | |
| Connector | Waterproof circular connector | |
| Protection Level | IP66 | |
| Communication Interface | 2 RJ45 10M/100M/1000M self-adaptive Ethernet interfaces | |

| | |
|---------------------------------|---|
| Storage | TF card, up to 128 GB |
| Heating module | Support ,Build-in module |
| GPS | Optional |
| Technical Data | |
| Certifications | CE, FCC |
| Operating & Storage Temperature | -30 °C to +70 °C(-22 °F to +158 °F) |
| Operating & Storage Humidity | 5% to 95%@+40 °C (+104 °F), non-condensing |
| Dimensions (W × H × D) | 180 × 152.7 × 636 mm (7.09 × 6.01 × 25.04 inch) |
| Weight | 6.5 ± 0.5 kg (14.3 ± 1.1 lb) |
| Power Supply | 100 to 240 VAC, frequency: 48 to 52 Hz |
| Power Consumption | < 30 W |

Dimensions



Accessories



DS-1275ZJ/HWB



DS-1701ZJ/HWB

Available Models

| Power Supply | Product Type |
|--------------|------------------------|
| 100-240V AC | iDS-TCV300-A6I/1140/H1 |
| | iDS-TCV900-AI/25/H1 |

Distributed by



HIKVISION®

Headquarters

No.555 Qianmo Road, Binjiang District,
Hangzhou 310051, China
T +86-571-8807-5998
overseasbusiness@hikvision.com

Hikvision USA
T +1-909-895-0400
sales.usa@hikvision.com

Hikvision Europe
T +31-23-55-42-770
info.eu@hikvision.com

Hikvision Middle East
T +971-4-8816086
salesme@hikvision.com

Hikvision Russia
T +7-495-669-67-99
saleru@hikvision.com

Hikvision India
T +91-22-28469900
sales@pramahikvision.com

Hikvision Italy
T +39-0438-6902
info.it@hikvision.com

Hikvision France
T +33(0)1-85-330-450
info.fr@hikvision.com

Hikvision Spain
T +34-91-737-16-55
info.es@hikvision.com

Hikvision Poland
T +48-22-460-01-50
poland@hikvision.com

Hikvision UK
T +01628-902140
support.uk@hikvision.com

Hikvision Singapore
T +65-6684-4718
sg@hikvision.com

Hikvision Oceania
T +61-2-8599-4233
salesau@hikvision.com

Hikvision Canada
T +1-909-895-0400
sales.usa@hikvision.com

Hikvision Korea
T +82-31-731-8841
sales.korea@hikvision.com

Hikvision Brazil
T +55 11 3318-0050
Latam.support@hikvision.com

Hikvision Africa
T +27 (10) 0351172
sale.africa@hikvision.com

Hikvision Hong Kong
T +852-2151-1761