

DS-2TD8166-150ZE2F/V2

Thermal & Optical Bi-spectrum Network Stable PTZ Camera

DeepinView^{series}



Hikvision DS-2TD8166-150ZE2F/V2 Thermal & Optical Bi-spectrum Network Stable PTZ Camera equipped with built-in GPU which support intelligent behavior analysis algorithm, can realize high precision VCA detection and real-time alarm. It is applied to frontier defense occasions, maritime defense occasions, port monitoring, airport perimeter security, and so on. The pre-alarm system helps you discover unexpected events immediately and prevent you from property loss.

Smart Function (Thermal Imaging)

- Leading image processing technology: Adaptive AGC, DDE, 3D DNR, NETD < 40mk (@25°C, F#=1.0)
- Smart tracking: Panorama tracking, Event tracking and Multi-scene patrol tracking
- Smart tracking linkage: thermal view and optical view
- Powerful behavior analysis algorithm: Line crossing, Intrusion, Region Entrance & Exit
- Reliable temperature exception alarm function
- Advanced fire detection algorithm

Thermal Imaging Module Function

- 640*512 resolution, high sensitivity sensor, support contrast adjustment
- Support shutter adjustment in various modes
- 3D DNR, 15 palettes of color adjustable, image detail enhancement

Specifications

Parameter		Model	DS-2TD8166-150ZE2F/V2
			Thermal & Optical Bi-spectrum Network Stable PTZ Camera
Thermal module	Image sensor		Vanadium Oxide Uncooled Focal Plane Arrays
	Max. Resolution		640 × 512
	Detector Pitch		17μm
	Response waveband		8μm to 14μm
	NETD		< 40mk (@25°C, F#=1.0)
	Lens (focal length)		30 mm to 150 mm
	MRAD		0.57 to 0.11 mrad
	Field of View		WIDE:20.56° x 16.51°; TELE:4.15° x 3.32°
	Min. Focusing Distance		2 m
	F number		1.2
Optical camera	Image Sensor		1/1.8" Progressive Scan CMOS
	Min. Illumination		Color : 0.005 Lux @ (F3.5, AGC ON) B/W : 0.0005 Lux @ (F3.5, AGC ON)
	Focal Length		12.5-775 mm, 62 x
	Field of View		20.56° × 4.15° to 16.51° × 3.32° (Wide-Tele)
	Min. Working Distance		5 m (Wide-Tele)
	Aperture Range		F3.5 to Close
	Focus Mode		Auto / Semiautomatic / Manual
	WDR		Digital
	Shutter Time		PAL: 1-1/30,000s / NTSC: 1-1/30,000s
	White Balance		Auto/ Manual/ATW/Indoor/Outdoor/Daylight lamp/Sodium lamp
	Day & Night		IR Cut Filter
	Privacy Mask		24 privacy masks programmable; optional multiple colors and mosaics
	Optical Defog		Yes
Enhancement		3D DNR	
Smart function	VCA		Support 4 VCA rule types (Line Crossing, Intrusion, Region Entrance, and Region Exiting), 10 scene rules for each scene.
	Temperature Measurement		Support 3 temperature measurement rule types, 273 presets as scene, 21 rules of each scene (10 points and 1 line)
	Temperature range		-20 °C to 150 °C (-4 °C to 302 °F)
	Temperature accuracy		± 8 °C (14.4 °F)
	Fire detection		Support 10 fire points
PTZ	Movement Range		Pan: 360° Continuous Rotate; Tilt: From -45° to + 45° (auto flip)
	Pan Speed		Configurable, From 0.01°/s to 40°/s
	Tilt Speed		Configurable, From 0.01°/s to 20°/s
	Proportional Zoom		Yes
	Presets		300
	Patrol Scan		8; Up to 32 Presets Per Patrol
	Pattern Scan		4; More Than 10 Minutes Per Pattern
Power Off Memory		Yes	

	Audio compression	G.711u/G.711a/G.722.1/MP2L2/G.726/PCM
	Protocols	IPv4/IPv6,HTTP,HTTPS,802.1x,Qos,FTP,SMTP,UPnP,SNMP,DNS,DDNS,NTP,RTSP,RTCP,RTMP,MP,ICMP,DHCP,PPPoE, Bonjour
	Simultaneous live view	Up to 20-ch
	User/Host level	Up to 32 users, 3 levels: Administrator, Operator, User
	Security measures	User authentication (ID and PW), MAC address binding, HTTPS encryption, IEEE 802.1x access address filtering
Integration	Alarm Input	Up to 7-ch Relay Input (0-5V DC)
	Alarm Output	Up to 2-ch; Support Alarm Linkage
	Alarm Action	Preset/Patrol Scan/Pattern Scan/SD Card Record/Relay Output/Smart capture/FTP upload/Email link
	Audio Input	LINE_IN Input/MIC Input; Peak: From 2 to 2.4V [p-p]; Output Impedance: 1KΩ±10%
	Audio Output	Linear Level; Impedance: 600Ω
	Communication Interface	Built-in RJ45; 10M/100M Ethernet Interface
	Onboard Storage	Built-in 64GB SD Card; Support Manual/Alarm Recording
	Analog Video Output	1.0V [p-p]/75Ω, PAL/NTSC/BNC
	RS485	Half-Duplex; HIKVISION, PELCO-P and PELCO-D Self-adaptive
	API	Open-ended API, support ISAPI; Support HIKVISION SDK and Third-party Management Platform
	Client	iVMS-4200
	Web Browser	IE 7+, Chrome 18+, Firefox 5.0+, Safari 5.02+; Multiple Languages
General	Menu	English
	Wiper	Yes
	Power	48V DC/5A, 220W
	Work Temperature/Humidity	From -40°C to 60°C (-40°F to 140°F); Humidity: 90% or Less
	Protection Level	IP66 Standard; TVS 6000V Lightning Protection, Surge Protection and Voltage Transient Protection
	Dimension	649.2 mm × 438 mm × 261.3 mm (25.56" × 17.24" × 10.29")
	Weight	Approx. 60kg (132.3 lb)

Wide Range Coverage for Different Specifications

Note: The table below is only for reference, the performance varies from model to model, and the specific data is based on 17 μm detector

Detection Range (Vehicles: 1.4×4.0m)	Detection Range (Humans: 1.8×0.5m)	Recognition Range (Vehicles: 1.4×4.0m)	Recognition Range (Humans: 1.8×0.5m)	Identification Range (Vehicles: 1.4×4.0m)	Identification Range (Humans: 1.8×0.5m)
13529 m	4412 m	3382 m	1103 m	1691 m	551 m

Smart functions Range Table

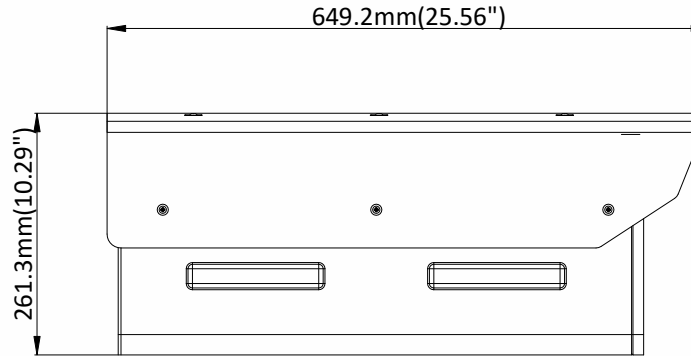
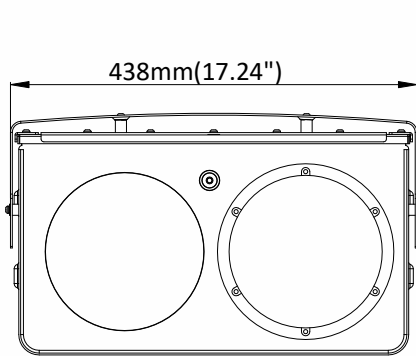
Note: The table below is only for reference, the performance varies from model to model, and the specific data is based on 17 μm detector p

VCA Range (Vehicles: 1.4×4.0m)	VCA Range (Humans: 1.8×0.5m)	Temperature Measurement (Object:2×2 m)	Temperature measurement (Object:1×1 m)	Fire Detection (Object:2×2 m)	Fire Detect (Object:1×1 m)
4500m	1500m	3510m	1770m	8820m	4410m

Order Models

DS-2TD8166-150ZE2F/V2

Dimensions



Distributed by



Headquarters

No.555 Qianmo Road, Binjiang District,
Hangzhou 310051, China
T +86-571-8807-5998
overseasbusiness@hikvision.com

Hikvision USA
T +1-909-895-0400
sales.usa@hikvision.com

Hikvision Europe
T +31-23-55-42-770
info.eu@hikvision.com

Hikvision Middle East
T +971-4-8816086
salesme@hikvision.com

Hikvision Russia
T +7-495-669-67-99
saleru@hikvision.com

Hikvision India
T +91-22-2846
sales@pramah