

DS-2XC6142FWD-IS 4 MP Anti-Corrosion Network Dome Camera



Key Features

- Up to 4 megapixel high resolution
- 120dB Wide Dynamic Range
- Three video streams
- H.265, H.265+, H.264, H.264+
- 6 behavior analyses, 2 exception detections, 1 recognition
- Support on-board storage, up to 128GB
- IR range: 10 m
- DC 12V/PoE
- Anti-Corrosion Standard: WF-2, NEMA 4X, C5-M
- IP67



Specifications

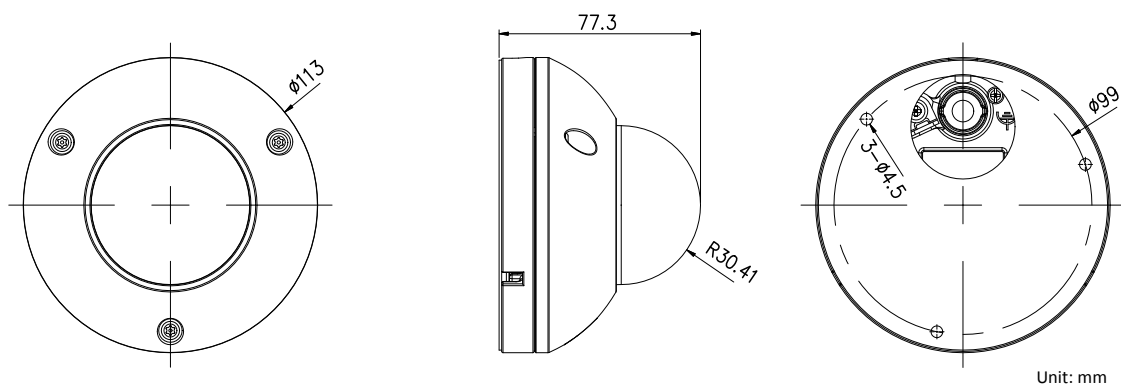
Camera	
Image Sensor	1/3" Progressive Scan CMOS
Min. Illumination	0.01Lux @(F1.2, AGC ON) ,0 Lux with IR on 0.028 Lux @(F2.0, AGC ON), 0 Lux with IR on
Shutter Speed	1 s to 1/100,000 s, support slow shutter
Lens	4mm, horizontal field of view: 83°, vertical field of view: 44.7° 6mm horizontal field of view: 55.4°, vertical field of view: 30.4°
Lens Mount	M12
Day &Night	IR cut filter
DNR	3D DNR
Wide Dynamic Range	120dB
Angle Adjustment	Tilt: 0° to 75°; Pan: -30° to 30°; Rotate: 0° to 360°
Compression Standard	
Video Compression	Main stream: H.265/H.264 Sub stream: H.265/H.264/MJPEG Third stream: H.265/H.264
H.264 Type	Baseline profile/main profile/high profile
H.264+	Support
H.265 Type	Main profile
H.265+	Support
Video Bit Rate	32 Kbps to 16 Mbps
Audio Compression	G.711/G.722.1/G.726/MP2L2/PCM
Audio Bit Rate	64Kbps(G.711)/16Kbps(G.722.1)/16Kbps(G.726)/32-128Kbps(MP2L2)
Image	
Max. Resolution	2560 × 1440
Main Stream Max. Frame Rate	50Hz: 25fps (2560 × 1440, 1920 × 1080, 1280 × 720, 528 × 384) 60Hz: 24fps (2560 × 1440, 1920 × 1080, 1280 × 720, 528 × 384)
Sub Stream Max. Frame Rate	50Hz: 25fps (704 × 576, 640 × 480, 352 × 288, 320 × 240) 60Hz: 24fps (704 × 480, 640 × 480, 352 × 240, 320 × 240)
Third Steam Max. Frame Rate	50Hz: 1fps (1920 × 1080, 1280 × 960, 1280 × 720, 704 × 576, 640 × 480, 352 × 288, 320 × 240) 60Hz: 1fps (1920 × 1080, 1280 × 960, 1280 × 720, 704 × 480, 640 × 480, 352 × 240, 320 × 240)
Image Enhancement	BLC/3D DNR/Defog
Image Settings	Rotate mode, saturation, brightness, contrast, etc., adjustable by client software or web browser
Region of Interest	Support 4 customized region for each stream, and face dynamic tracking
Target Cropping	Support
Day/Night Switch	Auto/Schedule/Triggered by Alarm In
Picture Overlay	LOGO picture can be overlaid on video with 128 × 128 24bit bmp format
Network	
Network Storage	Support Micro SD/SDHC/SDXC card (up to 128 GB) local storage and NAS (NFS,SMB/CIFS), ANR
Alarm Trigger	Motion detection, tampering alarm, HDD full, HDD error, network disconnected, IP address conflicted, illegal login
Protocols	TCP/IP, ICMP, HTTP, HTTPS, FTP, DHCP, DNS, DDNS, RTP, RTSP, RTCP
Standard	ONVIF (PROFILE S, PROFILE G), ISAPI

General Function	Mirror, anti-flicker, heartbeat, watermark, password protection, privacy mask
Interface	
Communication Interface	1 RJ45 10M/100M self-adaptive Ethernet port
Alarm	1 alarm input, 1 alarm output
On-board Storage	Built-in Micro SD/SDHC/SDXC slot, up to 128GB
Smart Feature-set	
Behavior Analysis	Line crossing detection, intrusion detection, region entrance detection, region exiting detection, unattended baggage detection, object removal detection
Line Crossing Detection	Cross a pre-defined virtual line
Intrusion Detection	Enter and loiter in a pre-defined virtual region
Region Entrance Detection	Enter a pre-defined virtual region from the outside place
Region Exiting Detection	Exit from a pre-defined virtual region
Unattended Baggage	Objects left over in the pre-defined region such as the baggage, purse, dangerous materials
Object Removal	Objects removed from the pre-defined region, such as the exhibits on display.
Exception Detections	Scene change detection, defocus detection
Face Detection	Human face appears in the image can be detected and trigger linkage method
General	
Operating Conditions	-30°C to +60 °C (-22 °F to +140 °F), humidity less than 95% (non-condensing)
Power Supply	DC 12V, 0.4A, 5W, terminal block PoE (802.3af, class 3), 0.1A
Power Consumption	Max. 5W
IR Range	10 m
Housing Material	SUS 316L
Anti-Corrosion Standard	WF-2, NEMA 4X, C5-M
Ingress Protection	IP67
Dimensions	Camera: $\Phi 113 \times 77.3$ mm (4.45" \times 3.04") Package: 257 \times 167 \times 145 mm (10.12" \times 6.57" \times 5.71")
Weight	Camera: 1680 g (3.7 lb.)

Available Models

DS-2XC6142FWD-IS

Dimension



Accessories

DS-1705ZJ-DM35

Wall mount



DS-1284ZJ-M

Junction box

Distributed by

**HIKVISION®****Headquarters**

No.555 Qianmo Road, Binjiang District,
Hangzhou 310051, China
T +86-571-8807-5998
overseasbusiness@hikvision.com

Hikvision USA
T +1-909-895-0400
sales.usa@hikvision.com

Hikvision Italy
T +39-0438-6902
info.it@hikvision.com

Hikvision Singapore
T +65-6684-4718
sg@hikvision.com

Hikvision Africa
T +27 (10) 0351172
sale.africa@hikvision.com

Hikvision Europe
T +31-23-55-42-770
info.eu@hikvision.com

Hikvision France
T +33(0)1-85-330-450
info.fr@hikvision.com

Hikvision Oceania
T +61-2-8599-4233
salesau@hikvision.com

Hikvision Hong Kong
T +852-2151-1761

Hikvision Middle East
T +971-4-8816086
salesme@hikvision.com

Hikvision Spain
T +34-91-737-16-55
info.es@hikvision.com

Hikvision Canada
T +1-909-895-0400
sales.usa@hikvision.com

Hikvision Russia
T +7-495-669-67-99
saleru@hikvision.com

Hikvision Poland
T +48-22-460-01-50
poland@hikvision.com

Hikvision Korea
T +82-31-731-8841
sales.korea@hikvision.com

Hikvision India
T +91-22-28469900
sales@pramahikvision.com

Hikvision UK
T +01628-902140
support.uk@hikvision.com

Hikvision Brazil
T +55 11 3318-0050
Latam.support@hikvision.com