

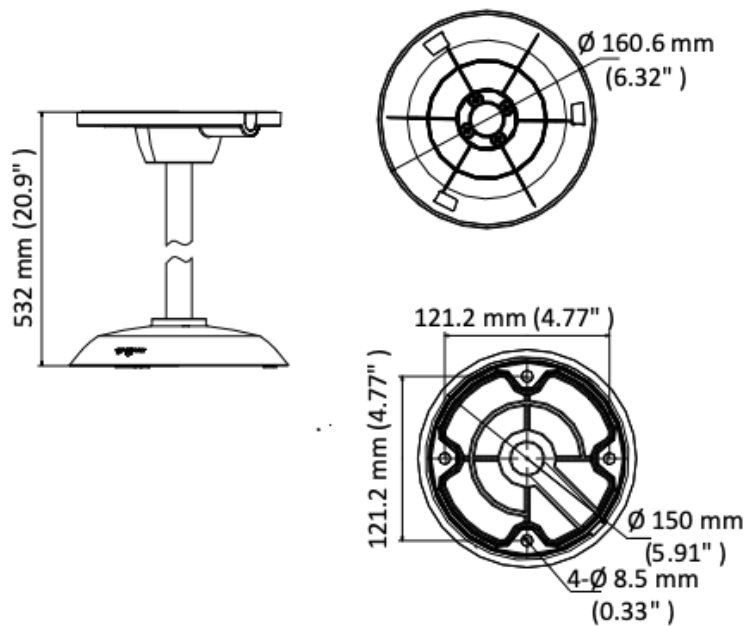
DS-1271ZJ-PT10

Pendant Mount

Feature

- Aluminum alloy and plastic with surface spray treatment
- The cap facilitates the installation

Dimension



Available Model

DS-1271ZJ-PT10

Parameter

Parameters: DS-1271ZJ-PT10

Pendant Mount

Appearance: Hikvision White

Material Aluminum Alloy and Plastic

Dimension: \varnothing 160.6 mm \times 532 mm (6.32" \times 20.9")

Weight: 1300 g (2.87 lb.)

Note

- The mount should be installed on the flat surface.
- The waterproof rubber is necessary for the outdoor application.
- The wall must be capable of supporting at least 3 times as much as the total weight of the camera, and the mount.
- The mount's maximum load capacity is 3 kg (6.61 lb.).

