

**DS-E2055LE-G
LCD Display**

The DS-E2055LE-G LCD display uses an industry-level extreme-narrow bezel design, which enables a bezel width of 1.74 mm between neighboring displays. The adopted direct-lit LED backlighting technology helps achieve ultra-high and uniform brightness of 500 cd/m² without boundary shadows. The display has abundant interfaces for video inputs, such as DVI, VGA, HDMI, and DP.

- 4K signal input, auto loop up to 30 screens with HDMI interfaces
- Switching between three picture modes: Monitoring, Meeting, and Movie
- Factory calibration for color and brightness uniformity
- Direct-lit LED backlight with uniform brightness and no boundary shadows
- 1920 × 1080 resolution, 178° viewing angle
- Extreme-narrow 1.74 mm bezel design
- Anti-glare, high definition, high brightness, high color gamut, and vivid images with rich colors
- Stable and 24-hour continuous working
- Metal casing for preventing from radiation and magnetic & electric field interference
- Wall-mount and modular brackets available to meet various installation requirements

▪ Specification

	Model	DS-E2055LE-G
Display	Screen Size	55 inch
	Active Display Area	1209.6 (H) mm × 680.4 (V) mm
	Backlight	Direct-lit LED backlight
	Panel Technology	IPS
	Pixel Pitch	0.63 mm
	Physical Seam	1.74 mm
	Bezel Width	1.3 mm (top/left), 0.44 mm (bottom/right)
	Resolution	1920 × 1080@60 Hz (downward compatible)
	Brightness	500 cd/m ²
	Viewing Angle	Horizontal 178°, vertical 178°
	Color Depth	10Bit, 1.07 B
	Static Contrast Ratio	1000:1
	Dynamic Contrast Ratio	100000:1
	Response Time	8 ms
	Color Gamut	72% NTSC
	Surface Treatment	Haze 28%, 2H
Life Time	60000 Hrs	
Installation	Portrait/Landscape	
Interface	Video & Audio Input	HDMI × 1, DVI × 1, DP × 1, USB × 1, VGA/HDMI × 1 (optional)
	Video & Audio Output	HDMI × 1, LINE OUT x 1
	Control Interface	RS232 IN × 1, RS232 OUT × 1; LAN x 1; IR x 1
Power	Power Supply	100-240 VAC, 50/60 Hz
	Power Consumption	≤ 192 W
	Standby Consumption	≤ 0.5 W

Headquarters

No.555 Qianmo Road, Binjiang District,
Hangzhou 310051, China
T +86-571-8807-5998
www.hikvision.com



Follow us on social media to get the latest product and solution information.



Working Environment	Working Temperature	0°C to 40°C (32°F to 104°F)
	Working Humidity	10% to 90% RH (non-condensing)
	Storage Temperature	-20°C to 60°C (-4°F to 140°F)
	Storage Humidity	10% to 90% RH (non-condensing)
	Certification	EMC, CE
General	Casing Material	SECC
	VESA	600 (H) mm × 400 (V) mm
	Product Dimension (W × H × D)	1212.21 mm × 683.06 mm × 69.5 mm (47.72" × 26.89" × 2.74")
	Package Dimension (W × H × D)	Carton with two displays: 1404 mm × 910 mm × 464 mm (55.3" × 35.8" × 18.3") Carton with a single display: 1404 mm × 910 mm × 231 mm (55.3" × 35.8" × 9.1")
	Net Weight	27.4 ± 0.5 kg (60.85 ± 1.1 lb) for single display
	Gross Weight	62.2 ± 0.5 kg (138.01 ± 1.1 lb) for carton with two displays 34.8 ± 0.5 kg (77.12 ± 1.1 lb) for carton with a single display
	Packing List	Carton with two displays : LCD display × 2, power cable × 2, network cable × 2, 2-meter HDMI cable × 2, screw × 8, remote control × 1, IR receiver × 1, RS-232 converter × 1, quick start guide (multilingual) × 1, quick start guide (English) × 1 Carton with a single display : LCD display × 1, power cable × 1, network cable × 1, 2-meter HDMI cable × 1, screw × 4, remote control × 1, IR receiver × 1, RS-232 converter × 1, quick start guide (multilingual) × 1, quick start guide (English) × 1

Headquarters

No.555 Qianmo Road, Binjiang District,
Hangzhou 310051, China
T +86-571-8807-5998
www.hikvision.com



Follow us on social media to get the latest product and solution information.



Hikvision



HikvisionHQ



HikvisionHQ



Hikvision_Global



Hikvision
Corporate Channel

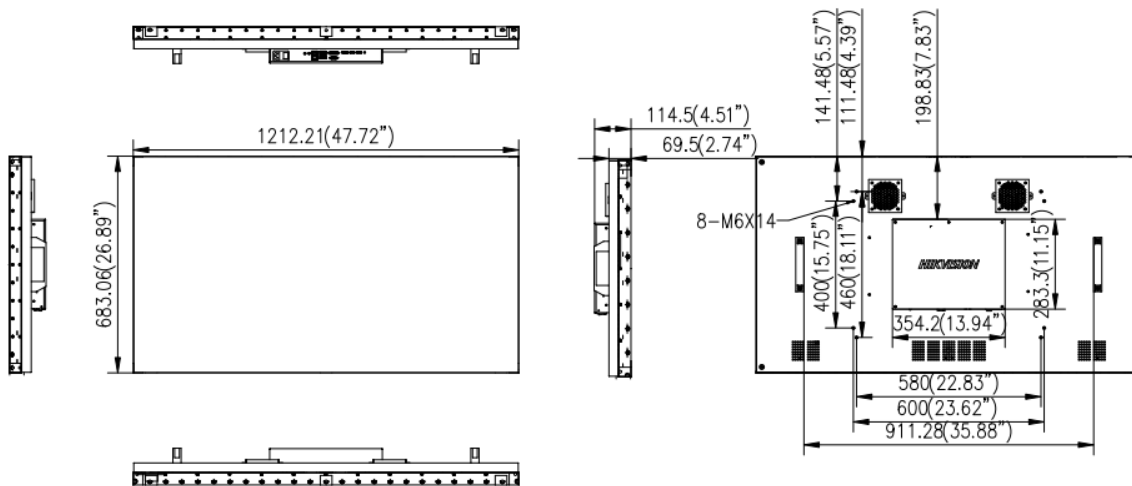


hikvisionhq

▪ **Available Model**

DS-E2055LE-G





▪ **Dimension**



Unit: mm (inch)

▪ **Accessory**

▪ **Optional**

DS-DN4655W/U Wall-mounted Bracket	DS-DN55E4M/F Modular Bracket(Frame)	DS-DN55E4M/B Modular Bracket(Base)	DS-DN5501W Wall-mounted Bracket
			

Headquarters

No.555 Qianmo Road, Binjiang District,
Hangzhou 310051, China
T +86-571-8807-5998
www.hikvision.com



Follow us on social media to get the latest product and solution information.

