

## THC-T127-P 2 MP Camera



- High quality imaging with 2 MP, 1920 × 1080 resolution
- 2.8 mm, 3.6 mm fixed focal lens
- Up to 20 m white light distance for bright night imaging
- One port for four switchable signals (TVI/AHD/CVI/CVBS)
- 
-

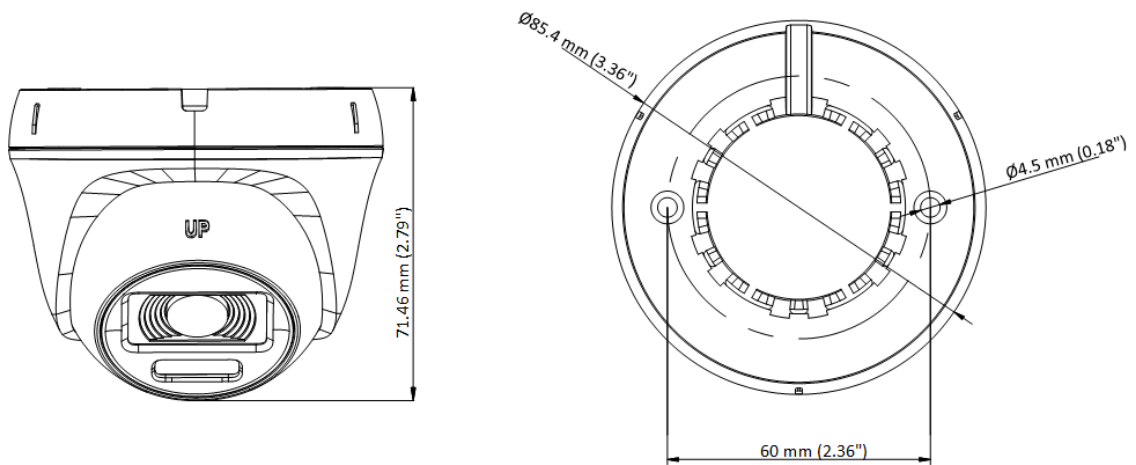
## ▪ Specification

Camera	
Image Sensor	2 MP CMOS
Signal System	PAL/NTSC
Resolution	1920 (H) × 1080 (V)
Frame Rate	TVI: 1080p@25fps/30fps CVI: 1080p@25fps/30fps AHD: 1080p@25fps/30fps CVBS: PAL/NTSC
Min. Illumination	0.01 Lux @ (F1.6, AGC ON), 0 Lux with white light
Shutter Time	PAL: 1/25 s to 1/50,000 s; NTSC: 1/30 s to 1/50,000 s
Lens	2.8 mm/3.6 mm fixed lens
Field of View	2.8 mm, horizontal FOV: 109°, vertical FOV: 57°, diagonal FOV: 129° 3.6 mm, horizontal FOV: 87°, vertical FOV: 44°, diagonal FOV: 105°
Lens Mount	M12
Day & Night	24/7 Color Imaging
WDR (Wide Dynamic Range)	Digital WDR
Angle Adjustment	Pan: 0° to 360°, Tilt: 0° to 75°, Rotation: 0° to 360°
Image	
White Light	Auto/Off
Image Mode	STD/HIGH-SAT
AGC	Yes
Day/Night Mode	Color
White Balance	Auto/Manual
AE (Auto Exposure) Mode	DWDR, BLC, HLC, Global
Noise Reduction	2D DNR
Language	English
Function	Brightness, Contrast, Mirror, Sharpness, Smart Light, Saturation
Interface	
Video Output	Switchable TVI/AHD/CVI/CVBS
Power Output	12 VDC
General	
Operating Conditions	-40°C to 45°C (-40°F to 113°F), Humidity: 90% or less (non-condensing)
Power Supply	12 VDC±25% <i>*You are recommended to use one power adapter to supply the power for one camera.</i>
Consumption	Max. 2.3 W
Material	Plastic
White Light Range	Up to 20 m
Dimension	∅ 85.4 mm × 71.46 mm (∅ 3.36" × 2.79")
Weight	Approx. 123 g (0.27 lb.)

## ▪ Available Model

THC-T127-P

## ▪ Dimension



## ▪ Accessory

### ▪ Optional

<b>HIA-B401-110T</b> <b>Wall Mount</b>	<b>HIA-J101</b> <b>Junction Box</b>	<b>HIA-B201</b> <b>Corner mount</b>	<b>HIA-B301</b> <b>Vertical pole mount</b>
