

## PTZ-N2404I-DE3

### 4MP 4× IR Network PTZ Camera



- Two-inch 4 MP camera with pan, tilt and zoom (4x) ability
- Efficient H.265+ compression technology to save bandwidth and storage
- Clear imaging against strong back light due to 120 dB true WDR technology
- Great night-time performance with up to 20 m enhanced IR
- Water and dust resistant (IP66), and vandal proof (IK10)

## ▪ Specification

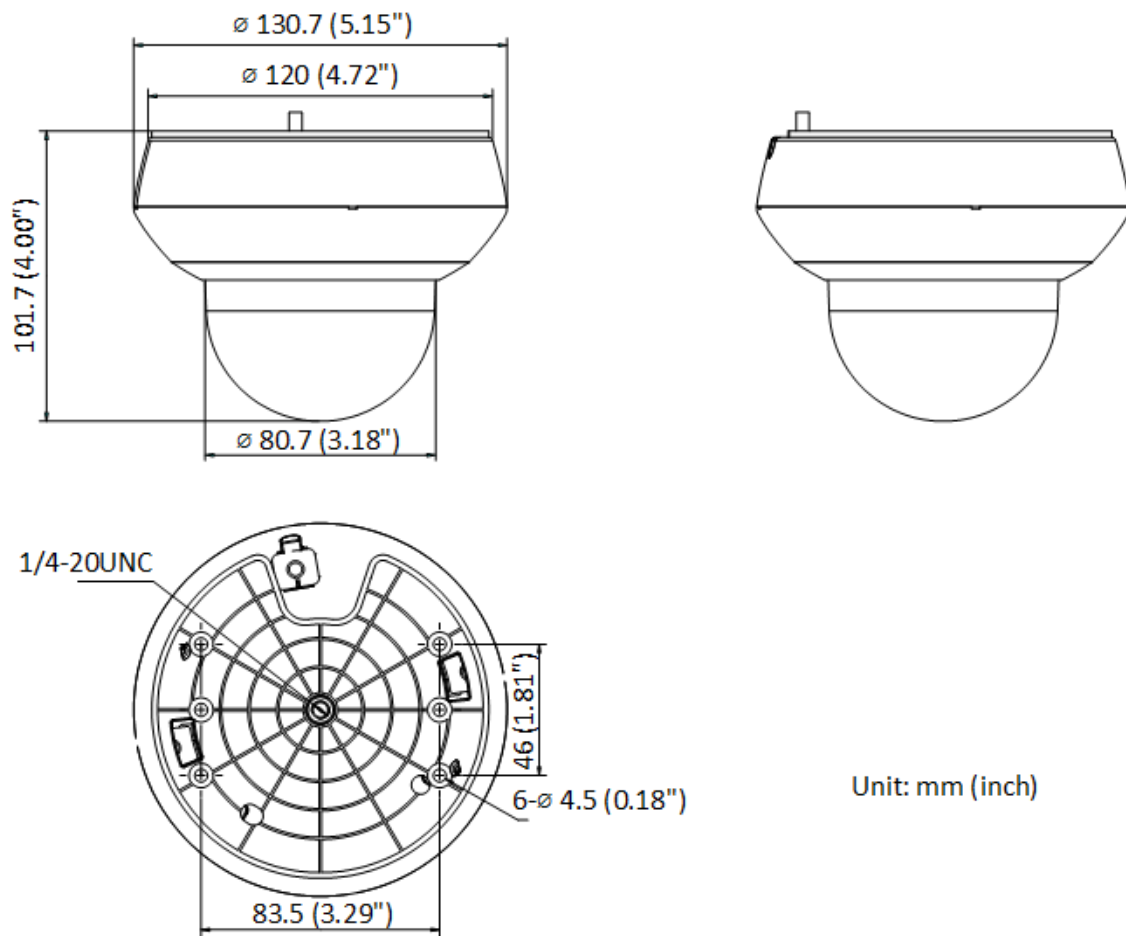
Camera Module	
Image Sensor	1/2.8" progressive scan CMOS
Min. Illumination	Color: 0.005 Lux @(F1.5, AGC ON), B/W: 0.001 Lux @(F1.5, AGC ON), 0 Lux with IR
White Balance	Auto/Manual/ATW (Auto-tracking White Balance)/Indoor/Outdoor/Fluorescent Lamp/Sodium Lamp
Gain	Auto/Manual
Shutter Time	50Hz: 1/1 s to 1/30,000 s, 60Hz: 1/1 s to 1/30,000 s
Day & Night	IR Cut Filter
Digital Zoom	16x
Privacy Mask	24 programmable privacy masks
Focus Mode	Auto/Semi-automatic/Manual
WDR	120 dB WDR
Lens	
FOV	Horizontal field of view: 100° to 33° (Wide-Tele), Vertical field of view: 53° to 18° (Wide-Tele), Diagonal field of view: 119° to 37.5° (Wide-Tele)
Focal Length	2.8 mm to 12 mm, 4x optical zoom
Zoom Speed	Approx. 2 s (optical lens, wide-tele)
Working Distance	10 mm to 1500 mm (wide-tele)
Aperture Range	F1.5 to F2.7
Supplement Light	
IR Distance	20 m
Smart IR	Support
PTZ	
Movement Range (Pan)	0° to 355°
Pan Speed	Configurable, from 0.1°/s to 100°/s, Preset speed: 100°/s
Movement Range (Tilt)	0° to 90°
Tilt Speed	Configurable, from 0.1°/s to 100°/s, Preset Speed: 100°/s
Proportional Zoom	Support
Presets	300
Power-off Memory	Support
Compression Standard	
H.264+	Support
H.265+	Support
H.264 Type	Baseline Profile/Main Profile/High Profile
Video Compression	Main Stream: H.265+/H.265/H.264+/H.264, Sub-stream: H.265/H.264/MJPEG, Third Stream: H.265/H.264/MJPEG
H.265 Type	Main Profile
Video Bitrate	32 Kbps to 16384 Kbps
Audio Compression	G.711alaw/G.711ulaw/G.722.1/G.726/MP2L2/PCM
Audio Bitrate	64 Kbps (G.711)/16 Kbps (G.722.1)/16 Kbps (G.726)/32 Kbps to 160 Kbps(MP2L2)
SVC	Support
Network	
Security Measures	User authentication (ID and PW), Host authentication (MAC address); HTTPS encryption; IEEE 802.1x port-based network access control; IP address filtering

Network Storage	Built-in memory card slot, support Micro SD/SDHC/SDXC, up to 256 GB; NAS (NPS, SMB/ CIFS), ANR
Protocols	IPv4/IPv6, HTTP, HTTPS, 802.1x, Qos, FTP, SMTP, UPnP, SNMP, DNS, DDNS, NTP, RTSP, RTCP, RTP, TCP/IP, UDP, IGMP, ICMP, DHCP, PPPoE, Bonjour
API	Open-ended, support Open Network Video Interface, ISAPI, and CGI, support HIKVISION SDK and Third-Party Management Platform, support HiLookVision
Simultaneous Live View	Up to 20 channels
User/Host	Up to 32 users, 3 levels: Administrator, Operator and User
Client	iVMS-4200, HikCentral Pro, HiLookVision
Web Browser	IE 10-11, Chrome 57+, Firefox 52+, Safari 11+
<b>Image</b>	
Image Enhancement	3D DNR, BLC, HLC, Regional Exposure, Regional Focus
Max. Resolution	2560 × 1440
Main Stream	50 Hz: 25 fps (2560 × 1440, 2048 × 1536, 1920 × 1080, 1280 × 960, 1280 × 720), 60 Hz: 24 fps (2560 × 1440), 30fps (2048 × 1536, 1920 × 1080, 1280 × 960, 1280 × 720)
Sub-Stream	50 Hz: 25 fps (704 × 576, 640 × 480, 352 × 288), 60 Hz: 30 fps (704 × 480, 640 × 480, 352 × 240)
Third Stream	50 Hz: 25 fps (1920 × 1080, 1280 × 960, 1280 × 720, 704 × 576, 640 × 480, 352 × 288); 60 Hz: 30 fps (1920 × 1080, 1280 × 960, 1280 × 720, 704 × 480, 640 × 480, 352 × 240)
<b>Interface</b>	
Audio Input	1-ch audio input (line in)
Audio Output	1-ch audio output (line out)
Network Interface	1 RJ45 10 M/100 M Ethernet, PoE
<b>Smart Features</b>	
Basic Event Detection	Motion Detection, Video Tampering Detection, Exception
Smart Detection	Face Detection, Intrusion Detection, Line Crossing Detection, Region Entrance Detection, Region Exiting Detection, Object Removal Detection, Unattended Baggage Detection, Audio Exception Detection
Smart Record	ANR (Automatic Network Replenishment), Dual-VCA
ROI	Main stream, sub-stream, and third stream respectively support two fixed areas.
<b>General</b>	
Material	Aluminum alloy, PC, PC+ABS
Dimensions	∅ 130.7 mm × 101.7 mm (∅ 5.15" × 4.00")
Weight	Approx. 0.53 kg (1.17 lb)
Protection Level	IP66 Standard, IK10, TVS 4000V Lightning Protection, Surge Protection and Voltage Transient Protection
Power	12 VDC, 1.5 A (Max. 9.9 W, including max. 4.2 W for IR) PoE (802.3af), 36 to 57 VDC, 0.35 A (Max. 11.2 W, including max. 4.2 W for IR)
Working Temperature	-20°C to 60°C (-4°F to 140°F)
Working Humidity	≤ 90%

## ▪ Available Model

PTZ-N2404I-DE3 (F)

## ▪ Dimension



## ▪ Accessory

### ▪ Optional

**HIA-B404-PT**  
**Wall Mount**

