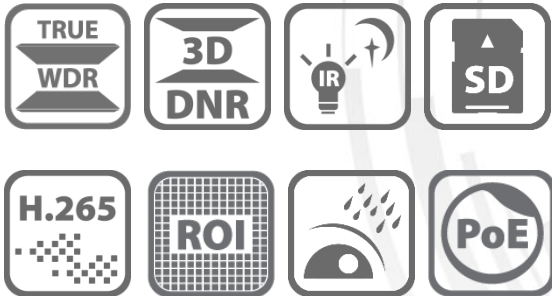


PTZ-N1200I-DE3(2.8/4mm) 2MP IR Network PTZ Camera



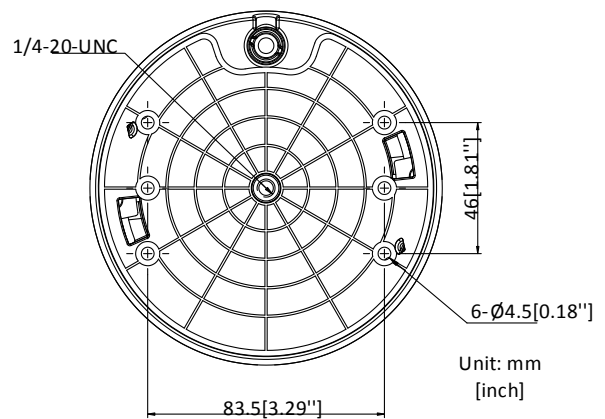
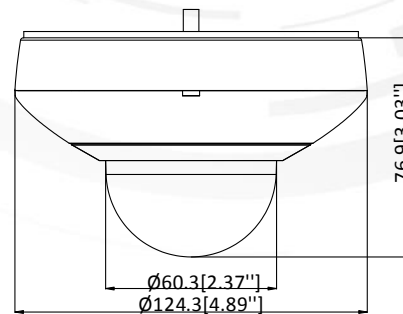
Key Features

- 1/2.8" progressive scan CMOS
- Up to 1920 × 1080@30fps resolution
- Min. illumination:
Color: 0.01 Lux @(F1.6, AGC ON)
B/W: 0.001 Lux @(F1.6, AGC ON)
0 Lux with IR
- 16× digital zoom
- 120 dB WDR, 3D DNR, EIS, Defog
- Up to 15 m IR distance
- 12 VDC, PoE (802.3af)
- IP66
- Support H.265+/H.265 video compression
- Support ONVIF, ISAPI, CGI, HIKVISION SDK and Third-Party Management Platform

Available Model

- PTZ-N1200I-DE3 (2.8 mm)
- PTZ-N1200I-DE3 (4 mm)

Dimension



Specification

Camera Module	
Image Sensor	1/2.8" progressive scan CMOS
Min. Illumination	Color: 0.01 Lux @(F1.6, AGC ON) B/W: 0.001 Lux @(F1.6, AGC ON) 0 Lux with IR
White Balance	Auto/Manual/ATW (Auto-tracking White Balance)/Indoor/Outdoor/Fluorescent Lamp/Sodium Lamp
Gain	Auto/Manual
Shutter Time	50Hz: 1/1 s to 1/30,000 s 60Hz: 1/1 s to 1/30,000 s
Day & Night	IR Cut Filter
Digital Zoom	16×
Privacy Mask	24 programmable privacy masks
Focus Mode	N/A
WDR	120 dB WDR
Lens	
Focal Length	2.8 mm, 4 mm, optional
Field of View	2.8 mm: horizontal FOV 101.6°; vertical FOV 56°, diagonal FOV 120° 4mm: horizontal FOV 80.7°; vertical FOV 43.5°, diagonal FOV 95°
Working Distance	2.8 mm: > 0.7 m; 4 mm: > 1 m
Aperture	F1.6
PTZ	
Movement Range (Pan)	0° to 330°
Pan Speed	Configurable, from 0.1°/s to 100°/s Preset speed: 100°/s
Movement Range (Tilt)	From 0° to 90°
Tilt Speed	Configurable, from 0.1°/s to 100°/s Preset Speed: 100°/s
Proportional Zoom	Yes
Presets	300
Power-off Memory	Yes
Park Action	Preset
3D Positioning	Yes
PTZ Status Display	Yes
Preset Freezing	Yes
Scheduled Task	Preset, Dome Reboot, Dome Adjust
Compression Standard	
Video Compression	Main Stream: H.265+/H.265/H.264+/H.264 Sub-stream: H.265/H.264/MJPEG Third Stream: H.265/H.264/MJPEG
H.264 Type	Baseline Profile/Main Profile/High Profile
H.264+	Yes
H.265+	Yes
Video Bitrate	32 Kbps to 16384 Kbps
Audio Compression	G.711alaw/G.711ulaw/G.722.1/G.726/MP2L2/PCM
Audio Bitrate	64 Kbps (G.711)/16 Kbps (G.722.1)/16 Kbps (G.726)/32 Kbps to 192 Kbps(MP2L2)
SVC	Yes
Smart Features	
Basic Event	Motion Detection, Video Tampering Detection, Exception
Smart Event	Face Detection, Intrusion Detection, Line Crossing Detection, Region Entrance Detection, Region Exiting Detection, Object Removal Detection, Unattended Baggage Detection, Audio Exception Detection

Smart Record	ANR (Automatic Network Replenishment), Dual-VCA
ROI	Main stream, sub-stream, and third stream respectively support four fixed areas.
IR	
IR Distance	Up to 15 m
Smart IR	Yes
Image	
Max. Resolution	1920 × 1080
Main Stream	50Hz: 25fps (1920 × 1080, 1280 × 960, 1280 × 720) 60Hz: 30fps (1920 × 1080, 1280 × 960, 1280 × 720)
Sub-Stream	50Hz: 25fps (704 × 576, 640 × 480, 352 × 288) 60Hz: 30fps (704 × 480, 640 × 480, 352 × 240)
Third Stream	50Hz: 25fps (1280 × 720, 704 × 576, 640 × 480, 352 × 288) 60Hz: 30fps (1280 × 720, 704 × 480, 640 × 480, 352 × 240)
Image Enhancement	HLC, BLC, 3D DNR, Defog, EIS
Network	
Network Storage	Built-in memory card slot, support Micro SD/SDHC/SDXC, up to 256 GB; NAS (NFS, SMB/CIFS), ANR
Alarm Linkage	Alarm actions, such as Trigger Recording, Notify Surveillance Center, Upload to FTP/Memory Card/NAS, Send Email, etc.
Protocols	IPv4/IPv6, HTTP, HTTPS, 802.1x, Qos, FTP, SMTP, UPnP, SNMP, DNS, DDNS, NTP, RTSP, RTCP, RTP, TCP/IP, DHCP, PPPoE, Bonjour
API	Open-ended, support ONVIF, ISAPI, and CGI, support HIKVISION SDK and Third-Party Management Platform
Simultaneous Live View	Up to 20 channels
User/Host	Up to 32 users 3 levels: Administrator, Operator and User
Security Measures	User authentication (ID and PW), Host authentication (MAC address); HTTPS encryption; IEEE 802.1x port-based network access control; IP address filtering
Client	iVMS-4200, iVMS-4500, iVMS-5200, Hik-Connect
Web Browser	IE 8+, Chrome 31.0 to 44, Firefox 30.0 to 51, Safari 8.0+
Interface	
Audio Interface	1-ch audio input (line in) and 1-ch audio output (line out)
Network Interface	1 RJ45 10 M/100 M Ethernet, PoE
General	
Power	12 VDC, 1.0 A (Max. 12 W), PoE (802.3af), 36 tp 57 VDC, 0.35 A (Max. 12 W)
Working Temperature	-10°C to 55°C (-14°F to 131°F)
Working Humidity	≤ 90%
Protection Level	IP66 Standard, TVS 2000V Lightning Protection, Surge Protection and Voltage Transient Protection
Material	Aluminum alloy, PC, PC+ABS
Dimensions	Φ 124.3 mm × 76.9 mm (Φ 4.89" × 3.03")
Weight	Approx. 450 g (0.99 lb.)

Accessories



HIA-B404-PT Wall Mounting Bracket