

IPC-T229H

2 MP ColorVu Fixed Turret Network Camera

## ColorVu



Hikvision ColorVu technology provides 24/7 vivid colorful images with F1.0 advanced lenses and high performance sensors. F1.0 super-aperture collects more light to produce brighter images. Advanced sensor technology can vastly improve the utilization of available light.

- High quality imaging with 2 MP resolution
- Excellent low-light performance
- Efficient H.265+ compression technology
- Water and dust resistant (IP67)
- 24/7 colorful imaging

## ▪ Specification

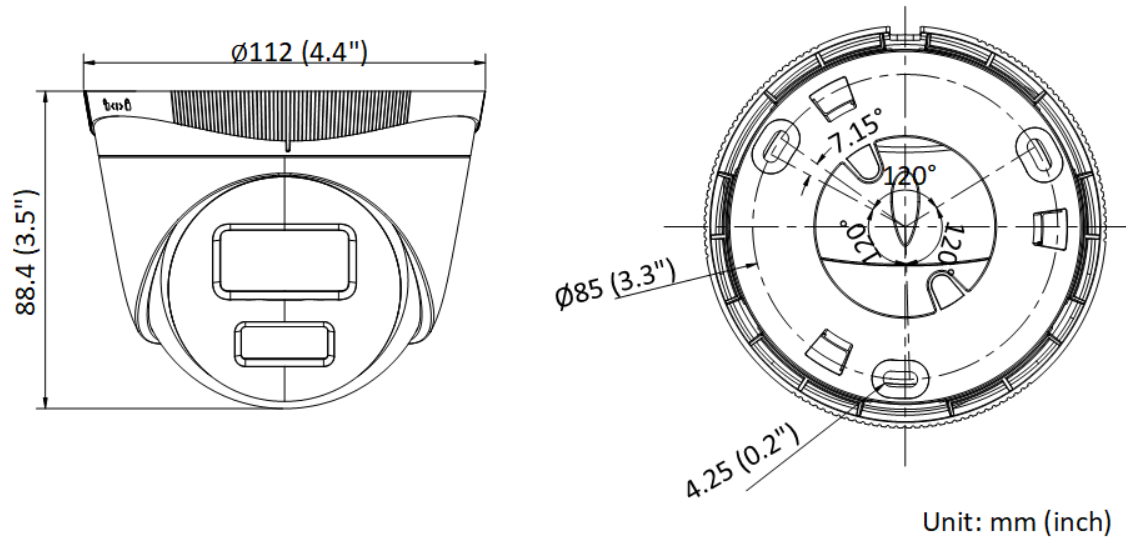
| <b>Camera</b>            |  |
|--------------------------|--|
| Image Sensor             | 1/2.8" Progressive Scan CMOS   |
| Max. Resolution          | 1920 × 1080  |
| Min. Illumination        | Color: 0.001 Lux @(F1.0, AGC ON), B/W: 0 Lux with white light  |
| Shutter Speed            | 1/3 s to 1/100,000 s   |
| Day & Night              | 24 Colorful imaging  |
| Angle Adjustment         | Pan: 0° to 360°, tilt: 0° to 75°, rotate: 0° to 360°   |
| <b>Lens</b>              |  |
| Lens Type                | Fixed focal lens, 2.8 and 4 mm optional  |
| Focal Length & FOV       | 2.8 mm, horizontal FOV 105.2°, vertical FOV 56.5°, diagonal FOV 125.1°<br>4 mm, horizontal FOV 83.6°, vertical FOV 46.2°, diagonal FOV 97.5° |
| Lens Mount               | M12  |
| Iris Type                | Fixed  |
| Aperture                 | F1.0   |
| <b>DORI</b>              |  |
| DORI                     | 2.8 mm, D: 44.1 m, O: 17.5 m, R: 8.8 m, I: 4.4 m<br>4 mm, D: 53.4 m, O: 21.2 m, R: 10.7 m, I: 5.3 m  |
| <b>Illuminator</b>       |  |
| Supplement Light Type    | White light  |
| Supplement Light Range   | Up to 30 m   |
| Smart Supplement Light   | Yes  |
| <b>Video</b>             |  |
| Main Stream              | 50 Hz: 25 fps (1920 × 1080, 1280 × 720)<br>60 Hz: 30 fps (1920 × 1080, 1280 × 720)   |
| Sub-Stream               | 50 Hz: 25 fps (640 × 480, 640 × 360)<br>60 Hz: 30 fps (640 × 480, 640 × 360)   |
| Video Compression        | Main stream: H.265+/H.264+/H.265/H.264<br>Sub-stream: H.265/H.264/MJPEG  |
| Video Bit Rate           | 32 Kbps to 8 Mbps  |
| H.264 Type               | Baseline Profile/Main Profile/High Profile   |
| H.265 Type               | Main Profile   |
| Region of Interest (ROI) | 1 fixed region for main stream   |
| <b>Network</b>           |  |
| Protocols                | TCP/IP, ICMP, HTTP, HTTPS, FTP, DHCP, DNS, DDNS, RTP, RTSP, RTCP, NTP, UPnP™, SMTP, IGMP, 802.1X, QoS, IPv6, Bonjour, IPv4, UDP, SSL/TLS     |
| Simultaneous Live View   | Up to 6 channels   |
| API                      | Open Network Video Interface, ISAPI  |
| User/Host                | Up to 32 users. 3 levels: administrator, operator and user   |
| Client                   | iVMS-4200, Hik-Connect   |
| Web Browser              | Plug-in required live view: IE 10+<br>Plug-in free live view: Chrome 57.0+, Firefox 52.0+<br>Local service: Chrome 57.0+, Firefox 52.0+      |

| <b>Image</b>                     |   |
|----------------------------------|---|
| Image Settings                   | Saturation, brightness, contrast, sharpness, AGC, white balance adjustable by client software or web browser.   |
| Day/Night Switch                 | Day, Night, Auto, Schedule  |
| Wide Dynamic Range (WDR)         | Digital WDR   |
| Image Enhancement                | BLC, 3D DNR   |
| <b>Interface</b>                 |   |
| Ethernet Interface               | 1 RJ45 10 M/100 M self-adaptive Ethernet port   |
| <b>Event</b>                     |   |
| Basic Event                      | Motion detection, video tampering alarm, exception  |
| Linkage                          | Upload to FTP, notify surveillance center, send email, trigger capture  |
| <b>General</b>                   |   |
| Power                            | 12 VDC $\pm$ 25%, 0.4 A, max. 5 W, $\varnothing$ 5.5 mm coaxial power plug<br>PoE: 802.3af, Class 336 V to 57 V), 0.2 A to 0.15 A, max. 6.5 W                             |
| Linkage Method                   | Upload to FTP, notify surveillance center, send email, trigger capture  |
| Camera Material                  | Metal & Plastic   |
| Camera Dimension                 | $\varnothing$ 112 mm $\times$ 88.4 mm ( $\varnothing$ 4.41" $\times$ 3.48")   |
| Package Dimension                | 150 mm $\times$ 150 mm $\times$ 141 mm (5.9" $\times$ 5.9" $\times$ 5.6")   |
| Camera Weight                    | Approx. 350 g (0.8 lb.)   |
| With Package Weight              | Approx. 610 g (1.3 lb.)   |
| Storage Conditions               | -30 °C to 60 °C (-22 °F to 140 °F). Humidity: 95% or less (non-condensing)  |
| Startup and Operating Conditions | -30 °C to 60 °C (-22 °F to 140 °F). Humidity: 95% or less (non-condensing)  |
| Web Client Language              | English, Ukrainian  |
| General Function                 | Anti-flicker, heartbeat, mirror, password protection, privacy mask, watermark, IP address filter  |
| <b>Approval</b>                  |   |
| EMC                              | FCC-SDoC: 47 CFR Part 15, Subpart B;<br>CE-EMC: EN 55032: 2015, EN 61000-3-2:2019, EN 61000-3-3:2013+A1:2019, EN 50130-4: 2011 +A1: 2014;<br>KC: KN 32: 2015, KN 35: 2015 |
| Safety                           | CB: IEC 62368-1:2014+A11;<br>CE-LVD: EN 62368-1:2014/A11:2017   |
| Environment                      | CE-RoHS: 2011/65/EU;<br>WEEE: 2012/19/EU;<br>Reach: Regulation (EC) No 1907/2006  |
| Protection                       | IP67: IEC 60529-2013  |

### ▪ Available Model






IPC-T229H (2.8/4 mm)

## ▪ Dimension



## ▪ Accessory

### ▪ Optional

| <b>HIA-B301</b><br><b>Vertical Pole</b><br><b>Mount</b>                             | <b>HIA-B401-110T</b><br><b>Wall Mount</b>   | <b>HIA-J201</b><br><b>Inclined Ceiling</b><br><b>Mount</b>                          | <b>HIA-B201</b><br><b>Corner Mount</b>  | <b>HIA-J102</b><br><b>Junction Box</b>  |
|---|---|---|---|---|
|  |  |  |  |  |