

**DS-MCC206
Nameplate Camera (without Screen)**

- Light and small. Approx. 50 g (0.1 lb., without back plate) and comfortable to wear.
- Supports Wi-Fi connection. Supports live view and control via the application of mobile phone.
- Wearable with the magnet or pin.
- Data loss prevention function: If the battery is low when recording, the device will automatically save the recorded data before shutting down.
- Customizable plate information (with self-adhesive paper).

**Nameplate camera is an intelligent digital nameplate with video recording function. It can be worn on the chest, and its size is close to the traditional nameplate. The device can be applicable to record the sales process in bank, insurance agency, and securities company. It can also be used to record the enforcement process in public security, transportation, judicial organization, industrial and commercial administration, taxation administration, etc.*

▪ Specification

Camera	
Image Sensor	1/2.9" progressive scan CMOS
Max. Resolution	1600 × 1200
Lens	
Focal Length	1.36 mm fixed lens
FOV	Horizontal FOV: 91° Vertical FOV: 74° Diagonal FOV: 115°
Aperture	F2.2
Video	
Video Format	PS, MP4
Video Compression	H.264, H.265
Main Stream	60 Hz: 30 fps (1600 × 1200, 1280 × 960, 640 × 480)
Audio	
Audio Compression for Video Recording	G722_1, AAC
Audio Bit Rate	G722_1 (16 kbps), AAC (64 kbps)
Image	
Image Format	JPEG
Storage	
RAM	128 MB
ROM	32 GB; 64 GB optional
Wireless Network	
Wi-Fi Frequency Band	2.412 to 2.472 GHz
Wi-Fi Protocol	802.11 a/b/g/n
Network	
Protocol	HTTPS, RTSP, NTP, FTP
API	ONVIF (PROFILE S, PROFILE G, PROFILE T), ISAPI, SDK, ISUP
Interface	
Audio Type	1 built-in mic(s)
Indicator	2 Indicator(s) for Charging/Working/Recording/Exception/Wi-Fi
Charging Interface	Type-C
Button	Power, Wi-Fi
USB	USB 2.0
General	
Operating System	Linux
Client	Hik-Connect, HikCentral Pro, HikCentral Master Lite
Power	5 VDC, 2.0 A, max. 10 W
Operating Condition	Temperature: -20 °C to 55 °C (-4 °F to 131 °F) Humidity: 90% or less (non-condensing)
Dimension	81 mm × 32.4 mm × 9 mm (3.2" × 1.3" × 0.4")
Weight	50 g (0.1 lb., without back plate)
MIC	Supported
Battery	
Capacity	1550 mAh

Battery Type	Lithium-ion battery, integral
Charging Time	≤ 3 h
Battery Duration	Up to 12 h in 720p resolution ¹
Approval	
RF	EN 300 328 V2.1.1 (BT or 2.4 G); EN 62311: 2008 (BT or 2.4 G)
EMC	CE-EMC: EN 55032: 2015, EN 61000-3-2: 2019, EN 61000-3-3: 2013, EN 50130-4: 2011+A1: 2014
Safety	CB: IEC 62368-1: 2014+A11, IEC 62368-1: 2018 CE-LVD: EN 62368-1: 2014/A11: 2017, EN IEC 62368-1: 2020+A11: 2020
Environment	CE-RoHS: 2011/65/EU, WEEE: 2012/19/EU, Reach: Regulation (EC) No 1907/2006

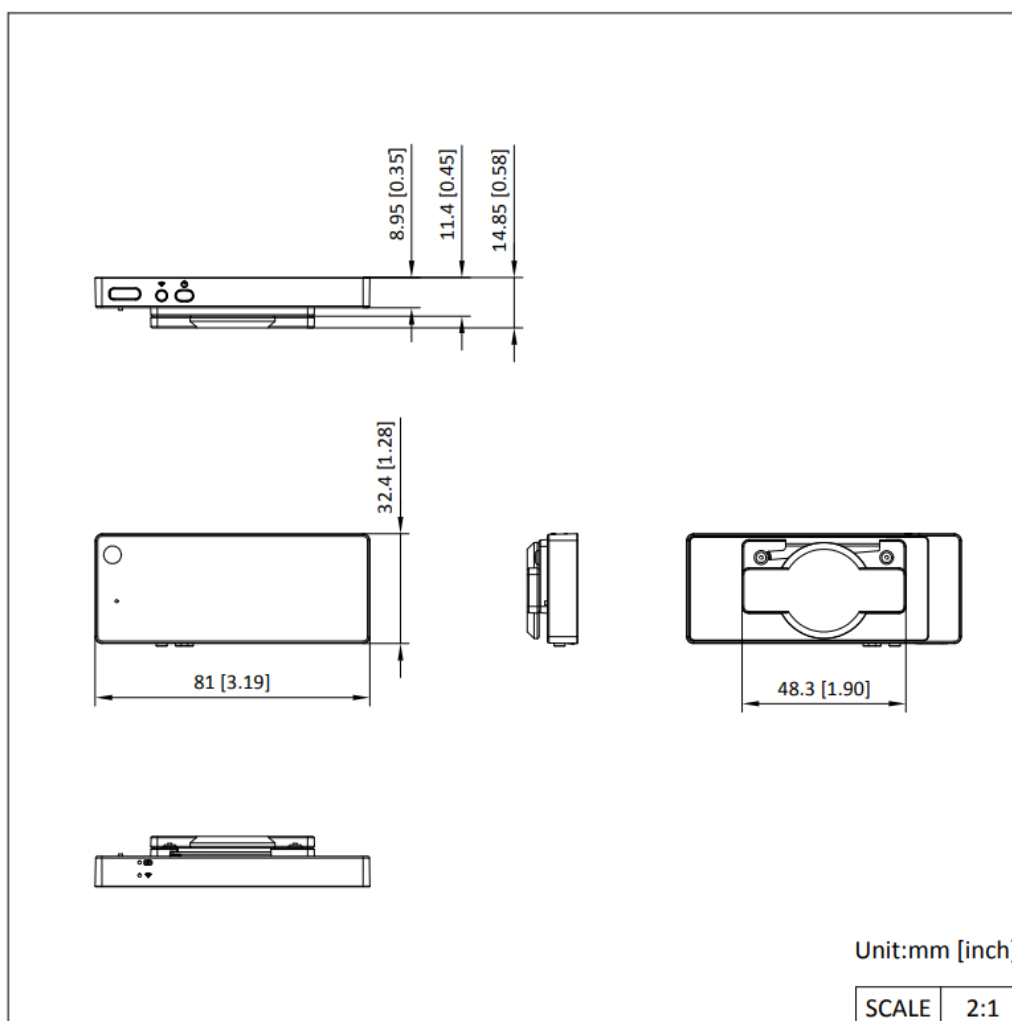
This is a basic estimation of battery working life only when recording is on. Additional power consumption should be considered when IR, GPS, and/or network connection is on.

▪ Available Model

DS-MCC206/32G/WIFI

DS-MCC206/64G/WIFI

▪ Dimension



- **Accessory**
- **Optional**

DS-MH1310-CC
Mini Body Camera Battery



Headquarters

No.555 Qianmo Road, Binjiang District,
Hangzhou 310051, China
T +86-571-8807-5998
www.hikvision.com



Follow us on social media to get the latest product and solution information.

