

DS-MH2311(C) Body Camera



- 1080p HD recording.
- Max. 30 M (7296 × 4104) resolution of the captured picture.
- Transmits videos to central video platform via 4G wireless communication.
- Dual positioning modules of GPS and Beidou, uploading the location information to the center in real time.
- IR function to recognize the facial features in the captured picture even in dim environment.
- Waterproof, dustproof, and anti-fall with 1.8 m fall protection height, applicable to all-day field work.
- 3G/4G/Wi-Fi network connection with flexible wireless transmission.

▪ Specification

Camera	
Image Sensor	1/3" progressive scan CMOS
Max. Recording Resolution	1920 × 1080
Min. Illumination	Color: 0.15 Lux @ (F2.0, AGC ON), 0 Lux with supplement light
Day & Night	Switch IR cut filter automatically
Zoom	4× digital
White Light	Supported
Lens	
Focal Length	2.4 mm fixed lens
FOV	Horizontal FOV: 134°, Vertical FOV: 75°, Diagonal FOV: 154°
Aperture	F2.0
Event	
Face Capture	Supported
Video	
Video Compression	H.264, H.265
Video Format	MP4, PS
Main Stream	60 Hz: 30 fps (1920 × 1080, 1280 × 720, 720 × 576)
Sub-Stream	30 fps (1280 × 720, 720 × 576)
Pre-record & Post-record	Pre-record: 60 s, Post-record: 60 s
Audio	
Audio Compression	G.711ulaw, G.711alaw, G.722.1, AAC-LC
Audio Bit Rate	64 Kbps (G.711ulaw/G.711alaw), 16 Kbps (G.722.1)
Image	
Image Format	JPEG
Screen	
Display Resolution	320 × 240
Screen Size	2.4"
Touchscreen	Supported
Screen Type	LCD
Storage	
RAM	2 GB
ROM	32 GB by default, 64/128/256 GB optional
IR	
IR Range	Up to 10 m
IR Wavelength	850 nm
Wireless Network	
Bluetooth	BT4.2
Wi-Fi Protocol	802.11 a/b/g/n/ac
Wi-Fi Frequency Band	2.412 to 2.472 GHz, 5.15 to 5.25 GHz, 5.725 to 5.875 GHz
Cellular Network	Only available for models with /GLE : GSM: 850/900/1800/1900 WCDMA: B1/B8 FDD - LTE: B1/B2/B3/B4/B5/B7/B8/B20/B28 TDD -LTE: B38/B39/B40/B41
Positioning Mode	GPS, Beidou
Network	
Protocol	HTTPS, RTSP, NTP, FTP

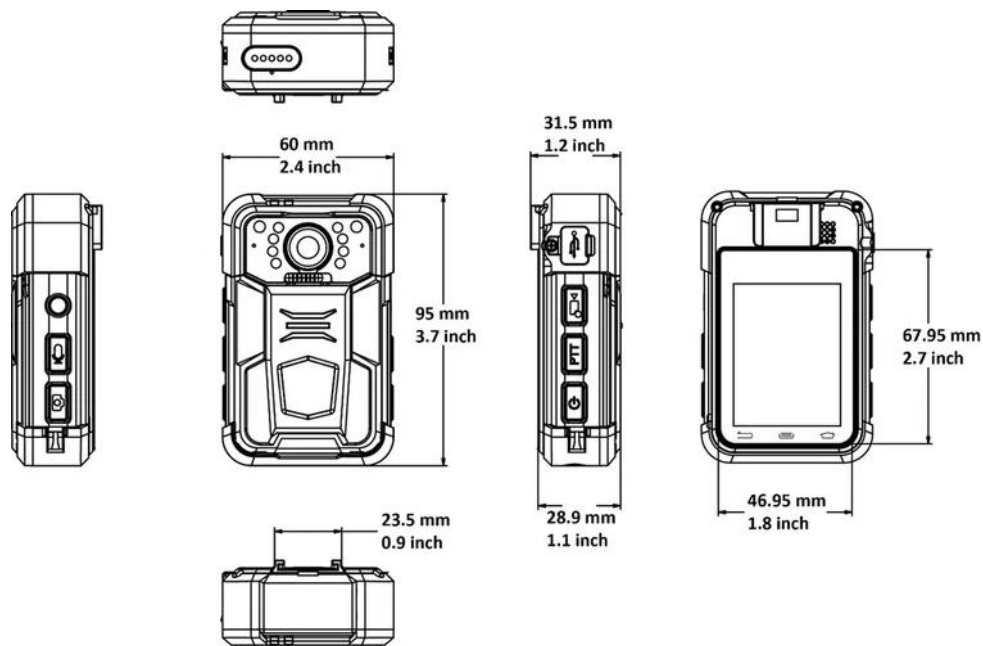
API	ONVIF (PROFILE S, PROFILE G, PROFILE T), ISAPI, SDK, ISUP
Interface	
Indicator	2 indicator(s) for charging/working/recording/exception
Button	Power, Video recording, Tag, SOS, Fn, PTT, Picture capture
SIM Card	SIM card slot(fit for nano-SIM card)
Charging Interface	Mini USB, Pogo Pin
USB	1 USB 2.0 port(s)
Laser Positioning	Supported
General	
Operating Condition	-20 °C to 55 °C (-4 °F to 131 °F). Humidity 95% or less (non-condensing)
Power	5 VDC, 2.0 A, max. 10 W
Dimensions	95 mm × 60 mm × 29 mm (3.7" × 2.4" × 1.1")
Weight	190 g (without mounting) (0.4 lb.)
Operating System	Android 9.0
Client	Hik-Connect, HikCentral Pro, HikCentral Master
MIC	Supported
Speaker	1 built-in speaker(s), max. power consumption: 1 W, max. sound pressure level: 92 dB (10 cm)
Battery	
Battery Type	Lithium-ion battery, dismountable
Capacity	3300 mAh
Charging Time	≤ 4 h
Battery Duration	Up to 12 h in 720p resolution ¹
Approval	
RF	EN 300 328 V2.1.1 (BT or 2.4G), EN 62311: 2008 (BT or 2.4G), EN 55032: 2015, EN 61000-3-2: 2014, EN 61000-3-3: 2013, EN 50130-4: 2011+A1: 2014)
EMC	CE-EMC: EN 55032: 2015, EN 61000-3-2: 2019, EN 61000-3-3: 2013, EN 50130-4: 2011 +A1: 2014
Safety	CB: IEC 62368-1: 2014+A11, IEC 62368-1: 2018, CE-LVD: EN 62368-1: 2014/A11: 2017, EN IEC 62368-1: 2020+A11: 2020, CE-LVD: EN 62368-1: 2014/A11: 2017
Environment	CE-RoHS: 2011/65/EU, WEEE: 2012/19/EU, Reach: Regulation (EC) No 1907/2006
Protection	IP67: IEC 60529-2013, MIL STD 810G (2008)

This is a basic estimation of battery life only when recording is on. Additional power consumption should be considered when GPS, and/or network connection is on.

▪ Available Model

DS-MH2311/32G/GLE(C)

▪ **Dimension**



▪ **Accessory**
▪ **Included**



▪ **Optional**

DS-MH1721 Oblique shoulder Harness	DS-MH1712 Body Camera Clip	DS-MH1717 Body Camera 3- Magnetic Clip	DS-MH1716 Body Camera 3- Alligator clip	DS-MH1715 body camera 3- wearable clip
				

Headquarters

No.555 Qianmo Road, Binjiang District,
Hangzhou 310051, China
T +86-571-8807-5998
www.hikvision.com



Follow us on social media to get the latest product and solution information.

