



Full-Color LED Display Unit

Installation Guide

Legal Information

©2021 Hangzhou Hikvision Digital Technology Co., Ltd. All rights reserved.

About this Manual

The Manual includes instructions for using and managing the Product. Pictures, charts, images and all other information hereinafter are for description and explanation only. The information contained in the Manual is subject to change, without notice, due to firmware updates or other reasons. Please find the latest version of this Manual at the Hikvision website (<https://www.hikvision.com/>).

Please use this Manual with the guidance and assistance of professionals trained in supporting the Product.

Trademarks

HIKVISION and other Hikvision's trademarks and logos are the properties of Hikvision in various jurisdictions.

Other trademarks and logos mentioned are the properties of their respective owners.

Disclaimer

TO THE MAXIMUM EXTENT PERMITTED BY APPLICABLE LAW, THIS MANUAL AND THE PRODUCT DESCRIBED, WITH ITS HARDWARE, SOFTWARE AND FIRMWARE, ARE PROVIDED "AS IS" AND "WITH ALL FAULTS AND ERRORS". HIKVISION MAKES NO WARRANTIES, EXPRESS OR IMPLIED, INCLUDING WITHOUT LIMITATION, MERCHANTABILITY, SATISFACTORY QUALITY, OR FITNESS FOR A PARTICULAR PURPOSE. THE USE OF THE PRODUCT BY YOU IS AT YOUR OWN RISK. IN NO EVENT WILL HIKVISION BE LIABLE TO YOU FOR ANY SPECIAL, CONSEQUENTIAL, INCIDENTAL, OR INDIRECT DAMAGES, INCLUDING, AMONG OTHERS, DAMAGES FOR LOSS OF BUSINESS PROFITS, BUSINESS INTERRUPTION, OR LOSS OF DATA, CORRUPTION OF SYSTEMS, OR LOSS OF DOCUMENTATION, WHETHER BASED ON BREACH OF CONTRACT, TORT (INCLUDING NEGLIGENCE), PRODUCT LIABILITY, OR OTHERWISE, IN CONNECTION WITH THE USE OF THE PRODUCT, EVEN IF HIKVISION HAS BEEN ADVISED OF THE POSSIBILITY OF SUCH DAMAGES OR LOSS.

YOU ACKNOWLEDGE THAT THE NATURE OF THE INTERNET PROVIDES FOR INHERENT SECURITY RISKS, AND HIKVISION SHALL NOT TAKE ANY RESPONSIBILITIES FOR ABNORMAL OPERATION, PRIVACY LEAKAGE OR OTHER DAMAGES RESULTING FROM CYBER-ATTACK, HACKER ATTACK, VIRUS INFECTION, OR OTHER INTERNET SECURITY RISKS; HOWEVER, HIKVISION WILL PROVIDE TIMELY TECHNICAL SUPPORT IF REQUIRED.

YOU AGREE TO USE THIS PRODUCT IN COMPLIANCE WITH ALL APPLICABLE LAWS, AND YOU ARE SOLELY RESPONSIBLE FOR ENSURING THAT YOUR USE CONFORMS TO THE APPLICABLE LAW. ESPECIALLY, YOU ARE RESPONSIBLE, FOR USING THIS PRODUCT IN A MANNER THAT DOES NOT INFRINGE ON THE RIGHTS OF THIRD PARTIES, INCLUDING WITHOUT LIMITATION, RIGHTS OF PUBLICITY, INTELLECTUAL PROPERTY RIGHTS, OR DATA PROTECTION AND OTHER PRIVACY RIGHTS. YOU SHALL NOT USE THIS PRODUCT FOR ANY PROHIBITED END-USES, INCLUDING THE DEVELOPMENT OR PRODUCTION OF WEAPONS OF MASS DESTRUCTION, THE DEVELOPMENT OR

Full-Color LED Display Unit Installation Guide

PRODUCTION OF CHEMICAL OR BIOLOGICAL WEAPONS, ANY ACTIVITIES IN THE CONTEXT RELATED TO ANY NUCLEAR EXPLOSIVE OR UNSAFE NUCLEAR FUEL-CYCLE, OR IN SUPPORT OF HUMAN RIGHTS ABUSES.

IN THE EVENT OF ANY CONFLICTS BETWEEN THIS MANUAL AND THE APPLICABLE LAW, THE LATER PREVAILS.

Regulatory Information

FCC Information

Please take attention that changes or modification not expressly approved by the party responsible for compliance could void the user's authority to operate the equipment.

FCC compliance: This equipment has been tested and found to comply with the limits for a Class A digital device, pursuant to part 15 of the FCC Rules. These limits are designed to provide reasonable protection against harmful interference in a residential installation. This equipment generates, uses and can radiate radio frequency energy and, if not installed and used in accordance with the instructions, may cause harmful interference to radio communications. However, there is no guarantee that interference will not occur in a particular installation. If this equipment does cause harmful interference to radio or television reception, which can be determined by turning the equipment off and on, the user is encouraged to try to correct the interference by one or more of the following measures:

- Redirect or relocate the receiving antenna.
- Increase the separation between the equipment and receiver.
- Connect the equipment into an outlet on a circuit different from that to which the receiver is connected.
- Consult the dealer or an experienced radio/TV technician for help.

FCC Conditions

This device complies with part 15 of the FCC Rules. Operation is subject to the following two conditions:

- This device may not cause harmful interference.
- This device must accept any interference received, including interference that may cause undesired operation.

EU Conformity Statement



This product and - if applicable - the supplied accessories too are marked with "CE" and comply therefore with the applicable harmonized European standards listed under the EMC Directive 2014/30/EU, LVD Directive 2014/35/EU, the RoHS Directive 2011/65/EU.



2012/19/EU (WEEE directive): Products marked with this symbol cannot be disposed of as unsorted municipal waste in the European Union. For proper recycling, return this product to your local supplier upon the purchase of equivalent new equipment, or dispose of it at designated collection points. For more information see:

<http://www.recyclethis.info>

Full-Color LED Display Unit Installation Guide



2006/66/EC (battery directive): This product contains a battery that cannot be disposed of as unsorted municipal waste in the European Union. See the product documentation for specific battery information. The battery is marked with this symbol, which may include lettering to indicate cadmium (Cd), lead (Pb), or mercury (Hg). For proper recycling, return the battery to your supplier or to a designated collection point. For more information see: <http://www.recyclethis.info>.

Industry Canada ICES-003 Compliance

This device meets the CAN ICES-3 (A)/NMB-3(A) standards requirements.




Preface

Applicable Model

This manual is applicable to full-color LED display units for installation guidance.

Symbol Conventions

The symbols that may be found in this document are defined as follows.

Symbol	Description
 Danger	Indicates a hazardous situation which, if not avoided, will or could result in death or serious injury.
 Caution	Indicates a potentially hazardous situation which, if not avoided, could result in equipment damage, data loss, performance degradation, or unexpected results.
 Note	Provides additional information to emphasize or supplement important points of the main text.

Safety Instruction

Danger

- This is a class A product and may cause radio interference in which case the user may be required to take adequate measures.
- In the use of the product, you must be in strict compliance with the electrical safety regulations of the nation and region.
- The equipment must be connected to an earthed mains socket-outlet.
- Shock hazard! Disconnect all power sources before maintenance.
- A readily accessible disconnect device shall be incorporated external to the equipment, rated 220/230/240 VAC, 6A for each device.
- High touch current! Connect to earth before connecting to the power supply.

Caution

- The equipment shall not be exposed to dripping or splashing and that no objects filled with liquids, such as vases, shall be placed on the equipment.
- Provide a surge suppressor at the inlet opening of the equipment under special conditions such as the mountain top, iron tower, and forest.

Full-Color LED Display Unit Installation Guide

- Ensure correct wiring of the terminals for connection to an AC mains supply.
- The equipment has been designed, when required, modified for connection to an IT power distribution system.
- Install the equipment according to the instructions in this manual.
- To prevent injury, this equipment must be securely attached to the floor/wall in accordance with the installation instructions.
- NEVER place items that might tempt children to climb, such as toys and remote controls, on the top of the equipment.
- Install the device no more than 5 mm away from the wall or other metal racks.
- This equipment is suitable for mounting on concrete or other non-combustible surface only.
- Keep 90° when moving or using the equipment.
- The equipment shall not be exposed to dripping or splashing and that no objects filled with liquids, such as vases, shall be placed on the equipment.
- CAUTION: This bracket is intended for use only with LED display unit. Use with other equipment may result in instability causing injury.
- CAUTION: This equipment is for use only with LED bracket. Use with other (carts, stands, or carriers) may result in instability causing injury.

Contents

Chapter 1 Product Introduction	1
1.1 Overview.....	1
1.2 Product Components.....	1
Chapter 2 Rack Installation.....	2
2.1 About Rack.....	2
2.2 Install the Rack	2
2.2.1 Precautions	2
2.2.2 Install the Wall-Mounted Rack.....	2
2.2.3 Install the Ultrathin Rack	9
2.2.4 Install the All-in-One Rack	20
Chapter 3 Cabinet Installation	35
3.1 Introduction.....	35
3.1.1 About the Cabinet	35
3.1.2 Load Capability of the Cabinet.....	35
3.2 Install the Cabinets.....	36
3.2.1 Precautions	36
3.2.2 Stitch Cabinet Frames	36
3.2.3 Install Lamp Boards on the Cabinets	39
3.2.4 Adjust Lamp Boards on the Cabinets	45
3.2.5 Install Protective Shield	43
Chapter 4 Software Debugging	45
4.1 Log in to the Device	45
4.2 Configure Screen Attributes.....	47
4.3 Configure Signal Cables	47

Chapter 1 Product Introduction

1.1 Overview

Full-color LED display unit (hereinafter referred to as the device, the product, or the LED) is a high-precision product delivering clear and vivid images. It is featured by wide color gamut, stable performance, long service life, strong environmental adaption, cost effective, and little cost to use. The device is applicable to scenes, such as radio and television stations, meeting room display, video security, information display, etc.

1.2 Product Components

An LED control system includes sending and receiving cards. The sending card packages images and sends them to the receiving card. The receiving card unpacks and processes the images, and then displays the images on the LED display unit.

The center distance between two pixels is called pixel pitch. The smaller pixel pitch results in higher pixel density per unit area, higher resolution, and higher cost. For example, P1.2 indicates 1.2 mm pixel pitch.

Our products are rack-mount system, so the installation process mainly involves rack installation and cabinet installation. The following sections describe how to install the rack and cabinet in details.

Chapter 2 Rack Installation

2.1 About Rack

There are three types of racks for installing our full-color LED products: wall-mounted rack, ultrathin rack and all-in-one rack. The wall-mounted rack is used for installing front-maintenance cabinets only. The ultrathin rack and all-in-one rack can be used for installing front-maintenance cabinets and back-maintenance cabinets. The rack models vary depending on the project scale and installation environment, so the rack illustrations in this manual are for reference only.

2.2 Install the Rack

2.2.1 Precautions

- Installation personnel must wear protective gear.
- Take safety measures when working at heights.
- Make sure that the rack is mounted vertically to the flat ground without tilting or twisting.
- Check that all structural parts and fasteners are fully mounted without missing.
- After all the accessories are mounted, clean all the debris in the rack and avoid metal debris being remained.

2.2.2 Install the Wall-Mounted Rack

The wall-mounted rack is used for installing front-maintenance cabinets only.

Install the Base Frame

Steps

1. Use header corners to connect aluminum extrusion rods from bottom to top.

Full-Color LED Display Unit Installation Guide

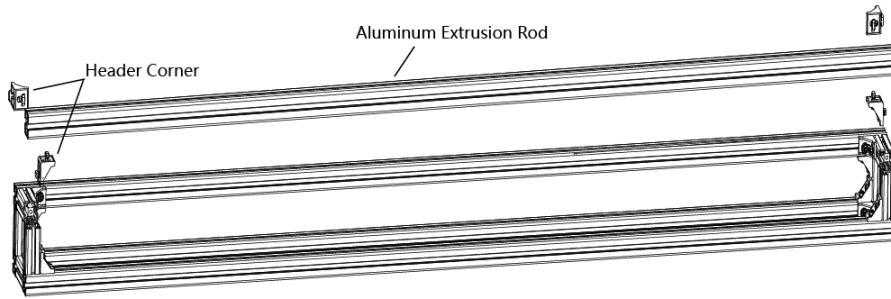


Figure 2-1 Assemble the Base Frame

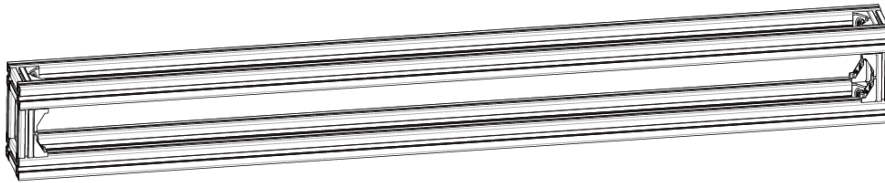


Figure 2-2 Base Frame Assembled

2. Use expansion bolts, T-Shaped bolts, and fixing plates to fix the base frame onto the wall.

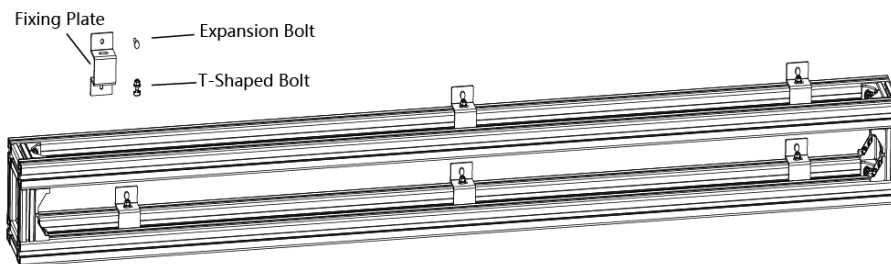


Figure 2-3 Fix the Base Frame onto the Wall

Install the Rack Frame

Steps

1. Use the header corners to connect aluminum extrusion rods to the base frame from left to right.

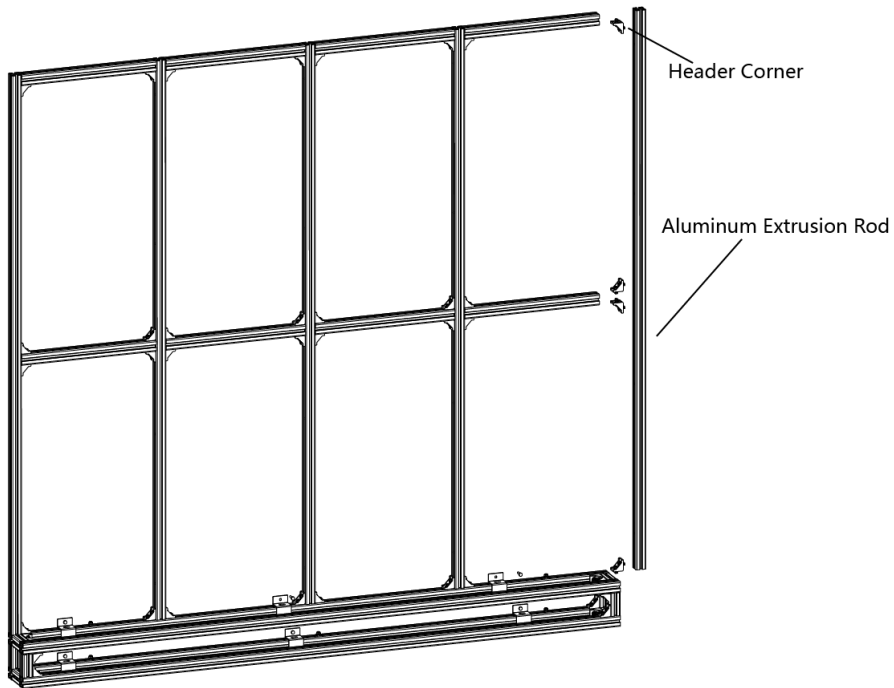


Figure 2-4 Assemble the Rack Frame

2. Use expansion bolts, T-Shaped bolts, and fixing plates to fix the rack frame onto the wall.

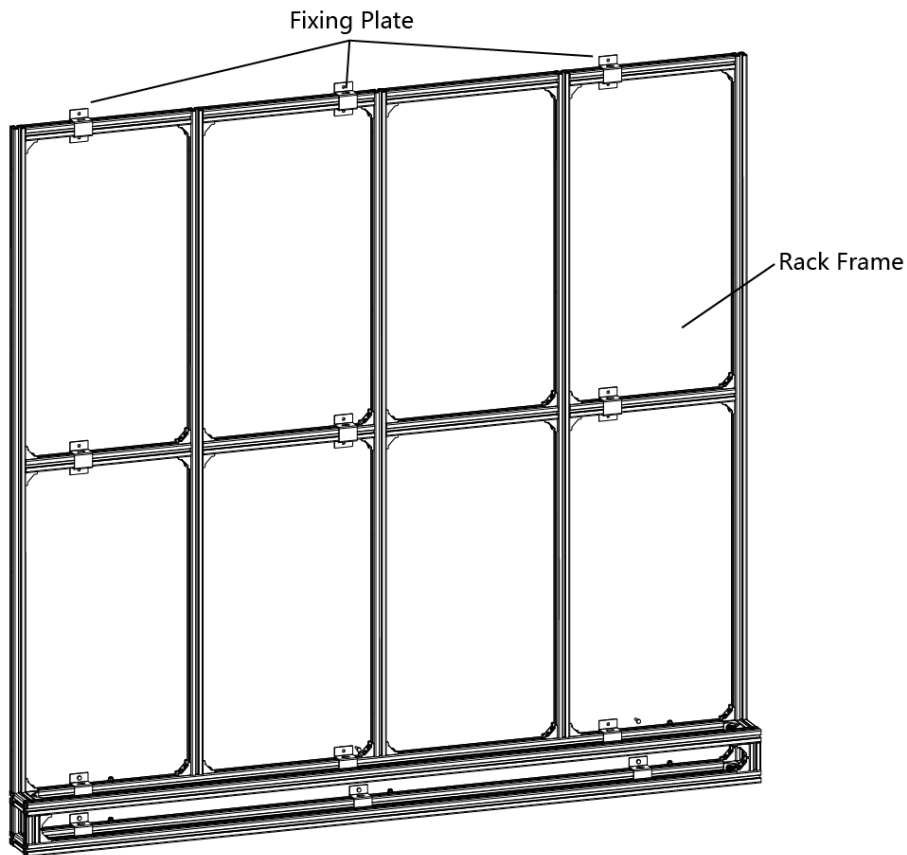


Figure 2-5 Fix the Rack Frame onto the Wall

Install Cabinets into the Rack Frame

After base frame and rack frame are well installed, perform the following steps to install the cabinets into the rack frame:

Steps

1. Install the mounting screws through the holes on the front of the cabinet and lock with the floating nuts on the bracket frame.

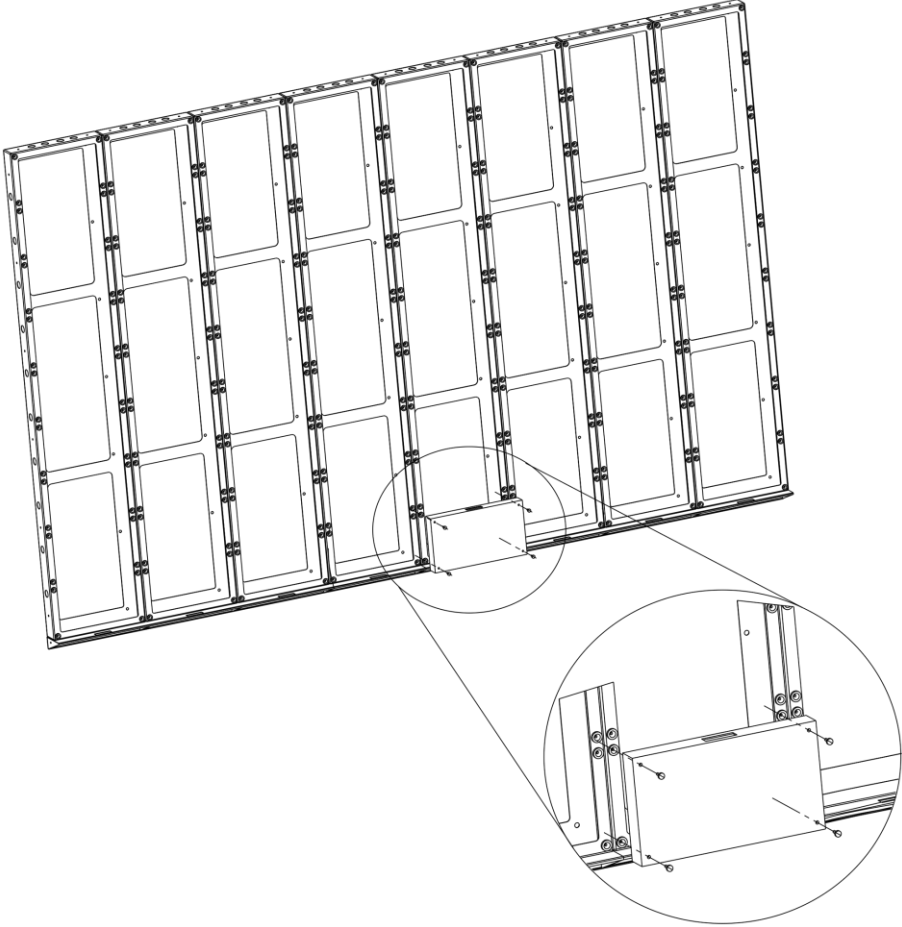


Figure 2-6 Fix the Screen

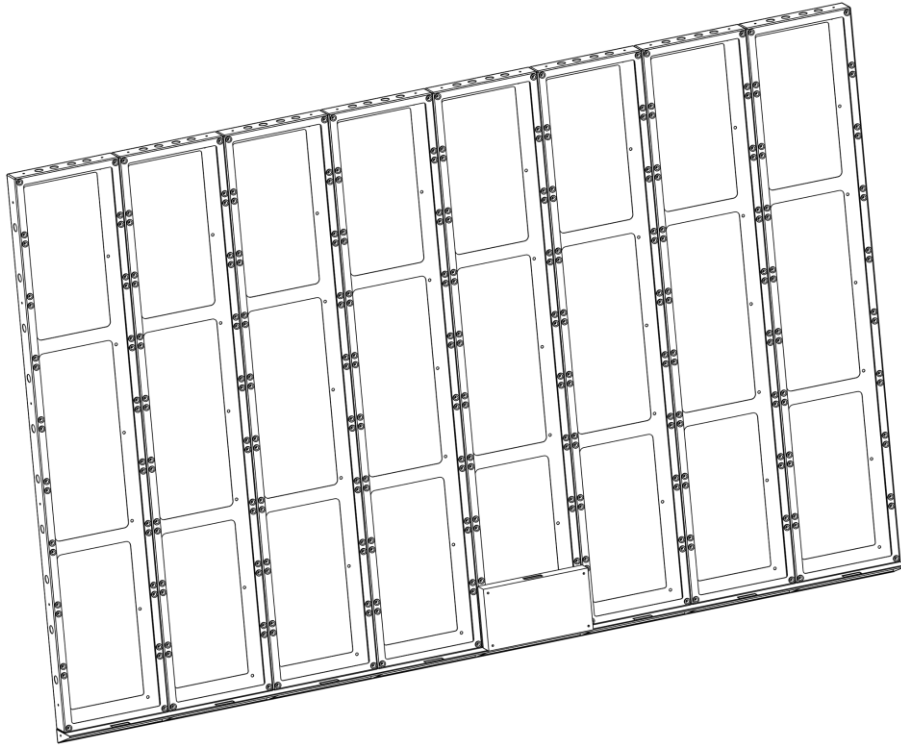


Figure 2-7 Screen Fixed

2. Install the cabinets from the center to both sides until cabinets of the first row installed.

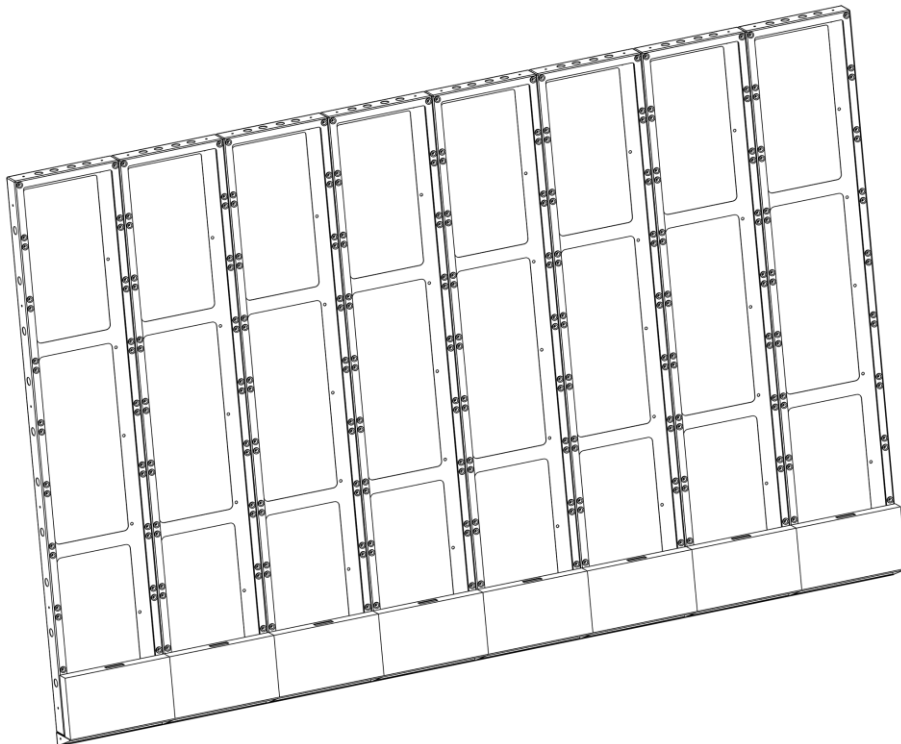


Figure 2-8 Screens Fixed

3. Repeat the above steps to install the other cabinets in the above rows.

Full-Color LED Display Unit Installation Guide

4. Use a level to measure and ensure that the cabinets are flat and vertical.

Note

- Do not fix the screws between the connectors and cabinets too tight for future adjustment.
 - In normal cases, you should lock out LED lamp boards after they are adjusted horizontally and vertically because the boards will probably be moved during the installation of other lamp boards.
 - Ensure that the screen is flat and without evident gap. Otherwise, make some adjustments.
-

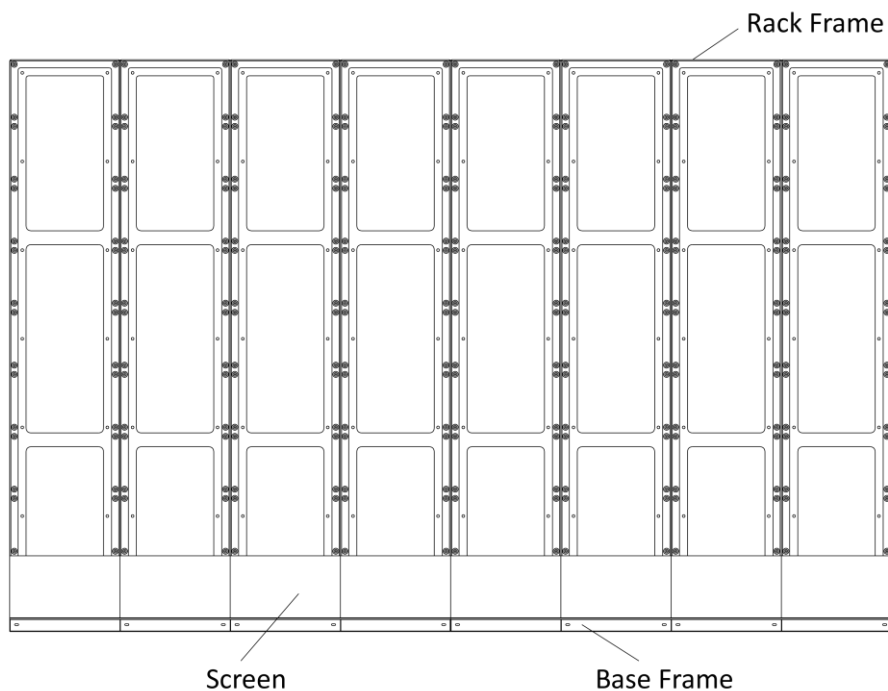


Figure 2-9 Screens of the First Row Fixed

Note

- For details about cabinet stitching, see *Stitch Cabinet Frames*.
 - For details about lamp board installation, see *Install Lamp Boards on the Cabinets*.
-

5. Repeat the above steps to install the other cabinets.

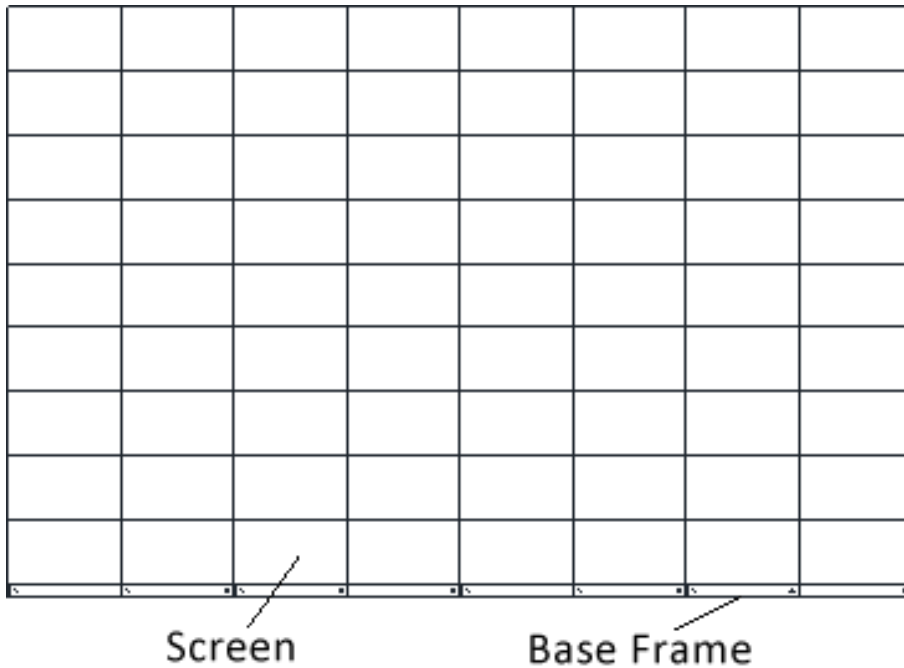


Figure 2-10 Screen Installation Finished

Note

- Install the device no more than 5 mm away from the wall or other metal racks in case of lamp board drop resulting in electric shock.
 - After installation, there should be no openings around the LED module. The bottom bracket under the wire outlet position should completely cover the bottom hole only to let the wire out, to prevent the molten material from dripping to the bottom during fire caused by internal failure.
 - To ensure safety, the installation parts and the wall should support four times the weight of the device.
-

2.2.3 Install the Ultrathin Rack

The ultrathin racks are used for mounting front-maintenance products and back-maintenance products.

Install the Bottom Chassis

Steps

1. Use header corners to connect aluminum extrusion rods from bottom to top.

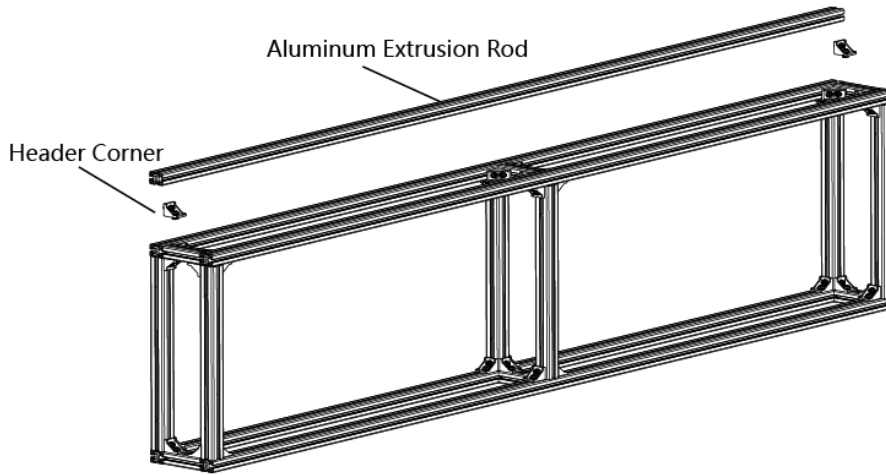


Figure 2-11 Assemble the Base Frame Unit

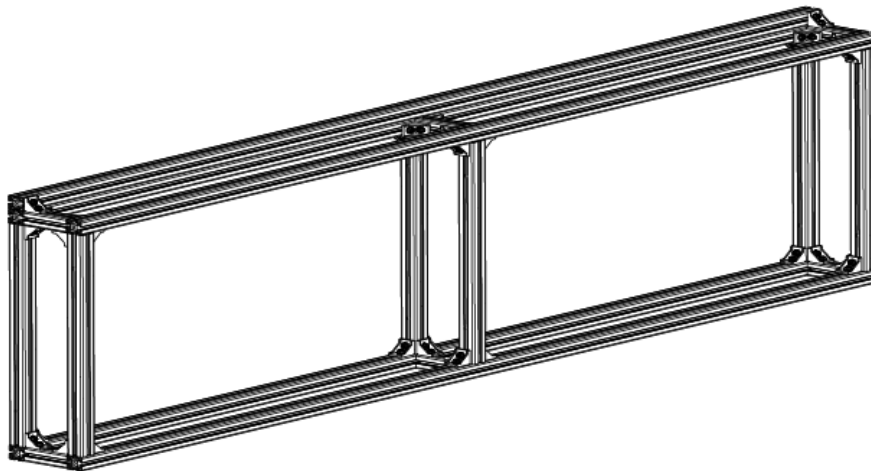


Figure 2-12 Base Frame Unit Assembled

2. Use wedge-locking collector bolts to connect the base frame units.

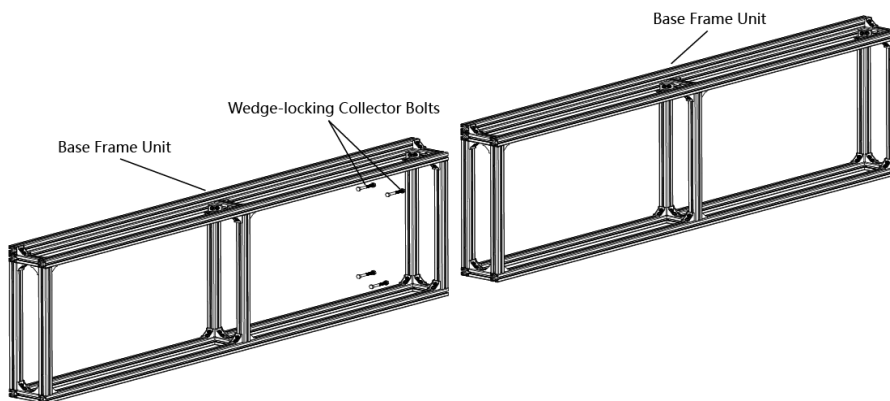


Figure 2-13 Connect the Base Frame Units

3. Position the anchor bolts into the base frame and tighten the bolts.

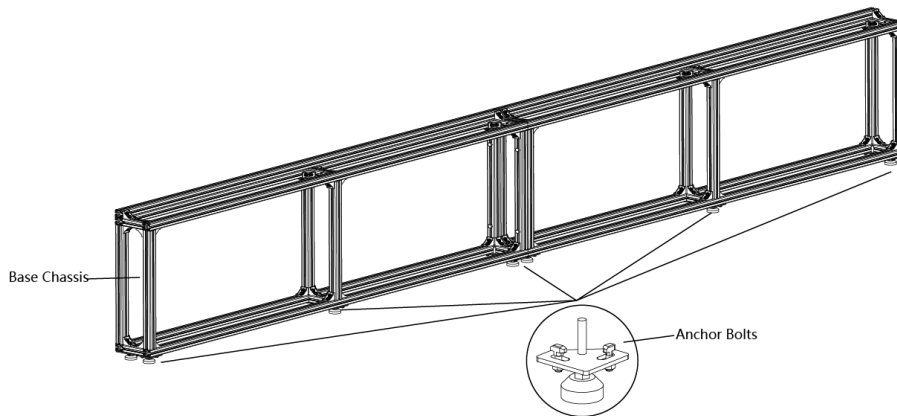


Figure 2-14 Assemble the Base Frame

4. Level the bottom chassis and then tighten the bolts.

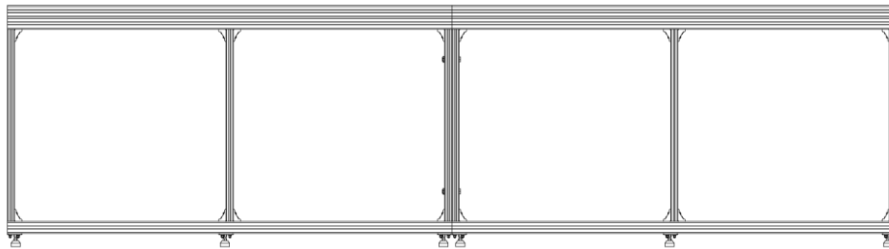


Figure 2-15 Leveled Bottom Chassis

Install the Rack Frame

Steps

1. Use header corners to connect aluminum extrusion rods from bottom to top.

Full-Color LED Display Unit Installation Guide

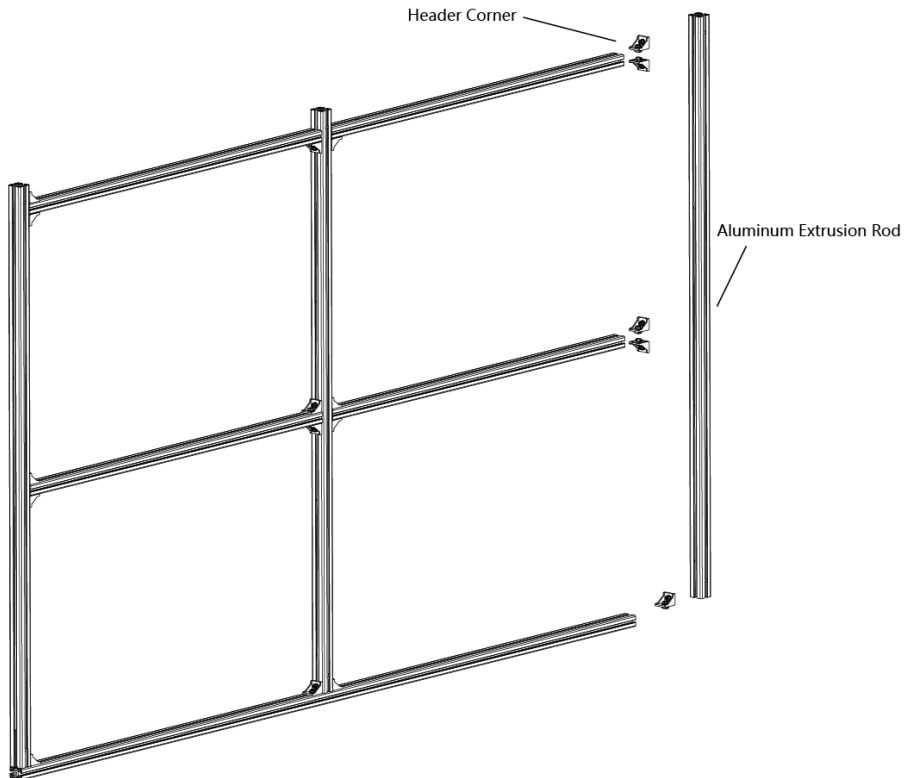


Figure 2-16 Assemble the Rack Frame Unit

2. Use wedge-locking collector bolts to connect the rack frame units.

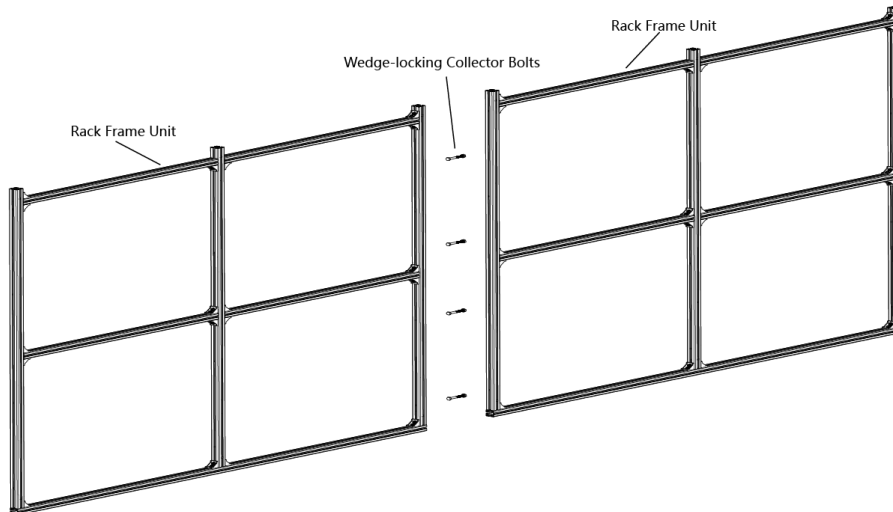


Figure 2-17 Connect the Rack Frame Units

3. Align the rack frame to the base chassis and use wedge-locking collector bolts to fix the frames.

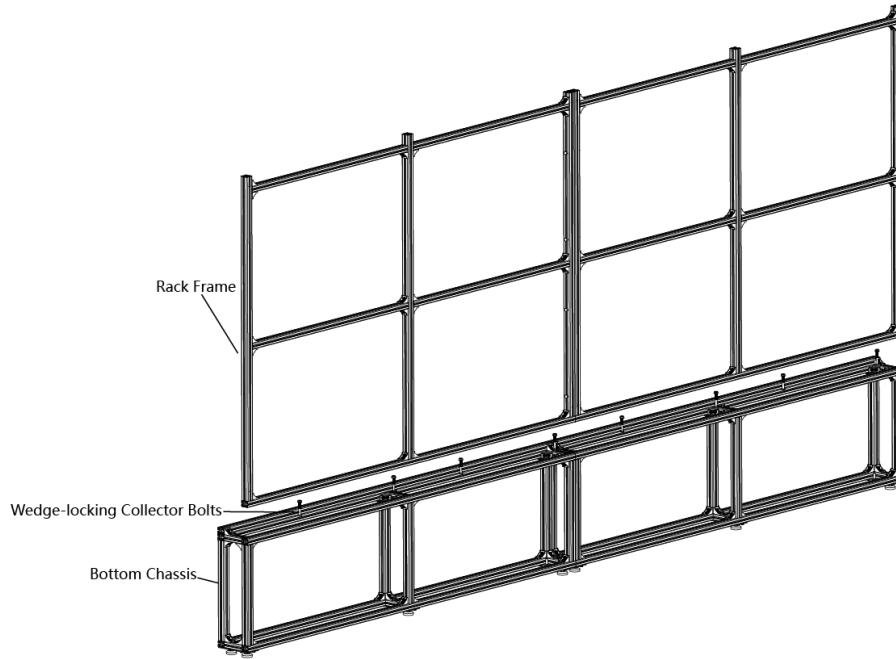


Figure 2-18 Align the Rack Frame to the Base Chassis

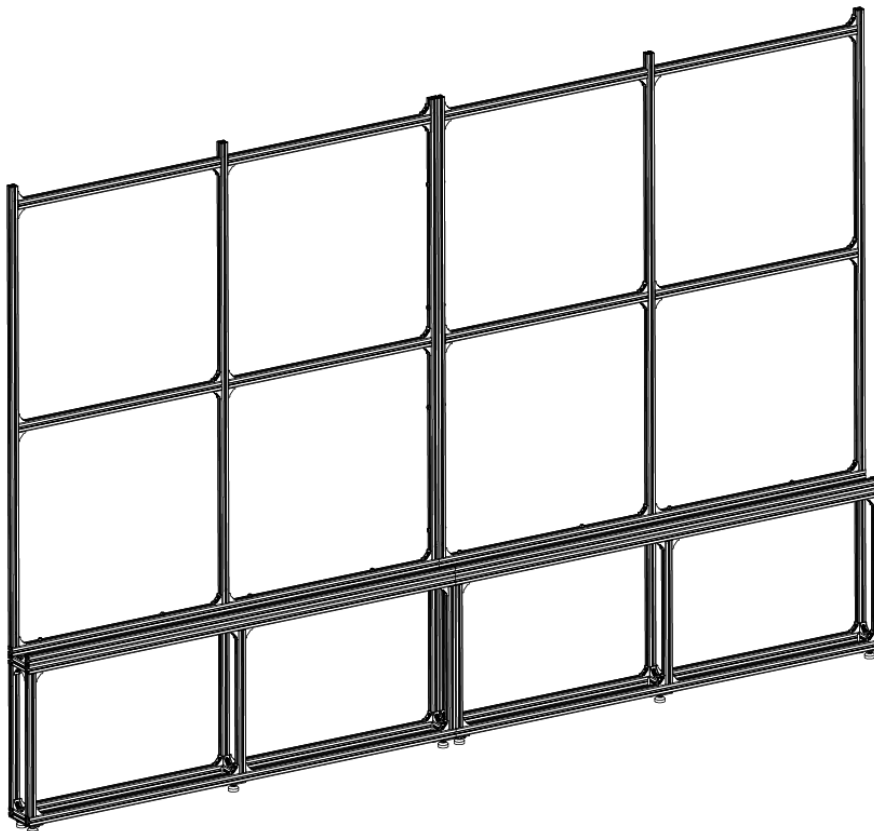


Figure 2-19 Frames Aligned

Install the Rear Pulling Rods (for Large-scale Project)

Steps

1. Use the wedge-locking collector bolts to fix the rear pulling rods into the rack frame.

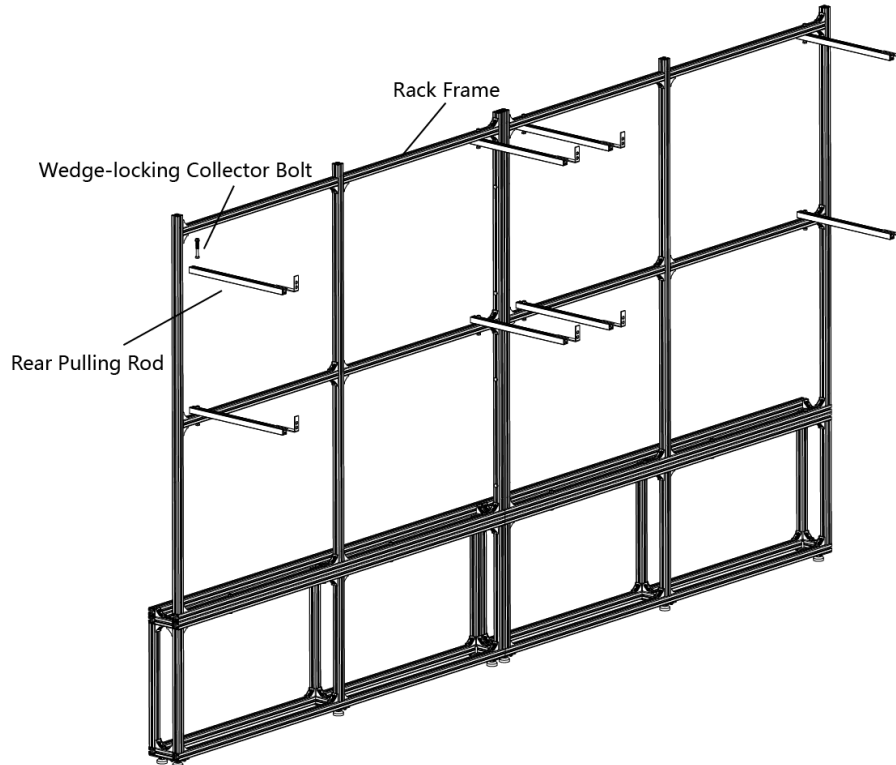


Figure 2-20 Fix the Rear Pulling Rods into the Rack frame

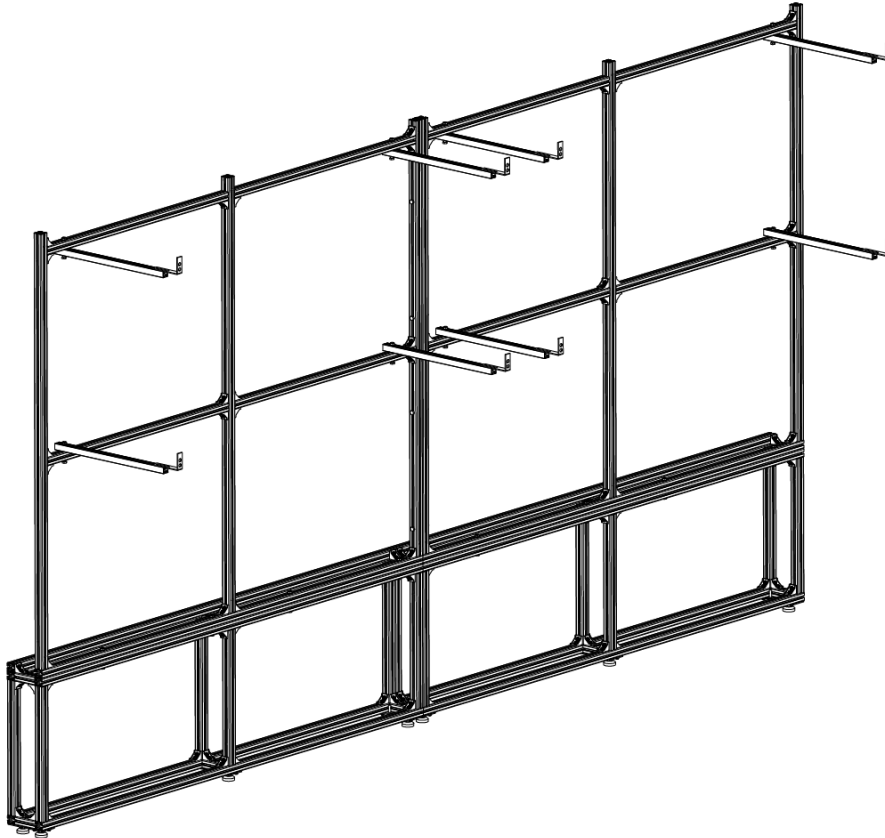


Figure 2-21 Rear Pulling Rods Fixed

2. Use the expansion bolts to fix the rear pulling rods onto the bearing wall.

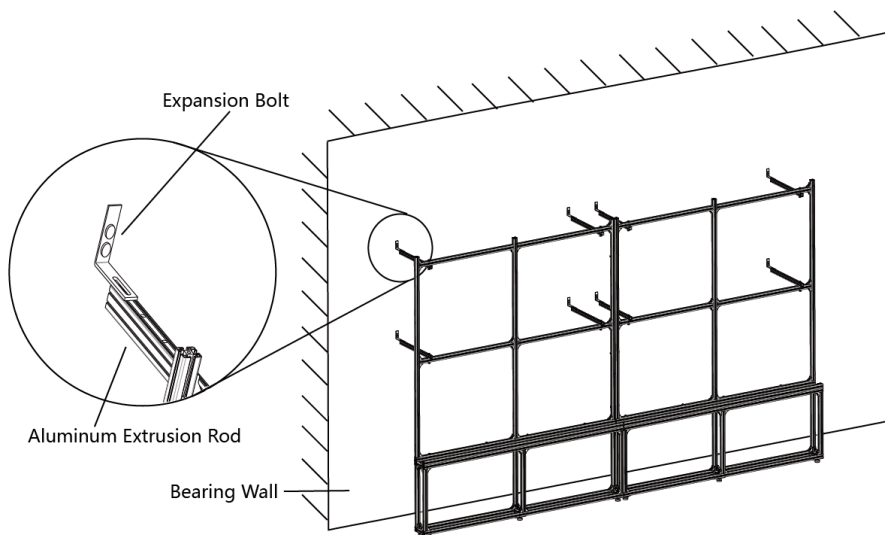


Figure 2-22 Fix the Rear Pulling Rods onto the Bearing Wall

Install the Connectors

The connectors are divided into two parts: customized front joint piece which is used to connect the screens, and back connecting component which is used to connect the rack frame. The following figures list three types of connectors and the positions where the connectors used respectively.

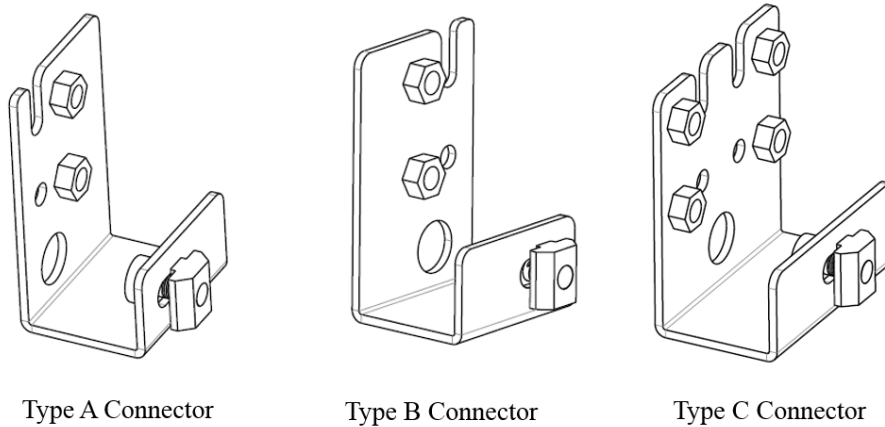


Figure 2-23 Connectors

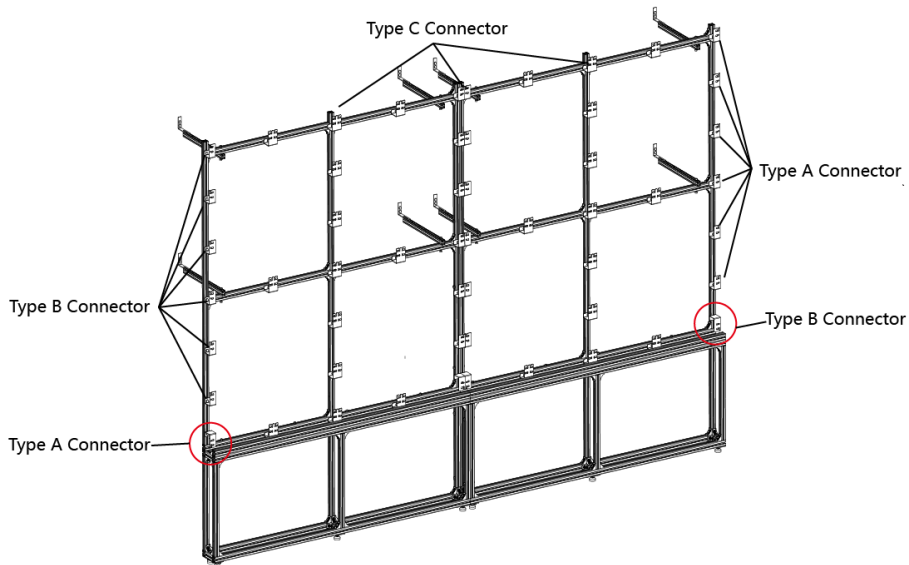


Figure 2-24 Connectors Installed

Note

Please pay attention to the types of outermost connectors between rack frame and bottom chassis.

Steps

1. Twist the hexagonal screws into the T-Shaped nuts.
2. Insert the T-Shaped nuts into the slots of aluminum extrusion rods, and move the connectors to the suitable place.

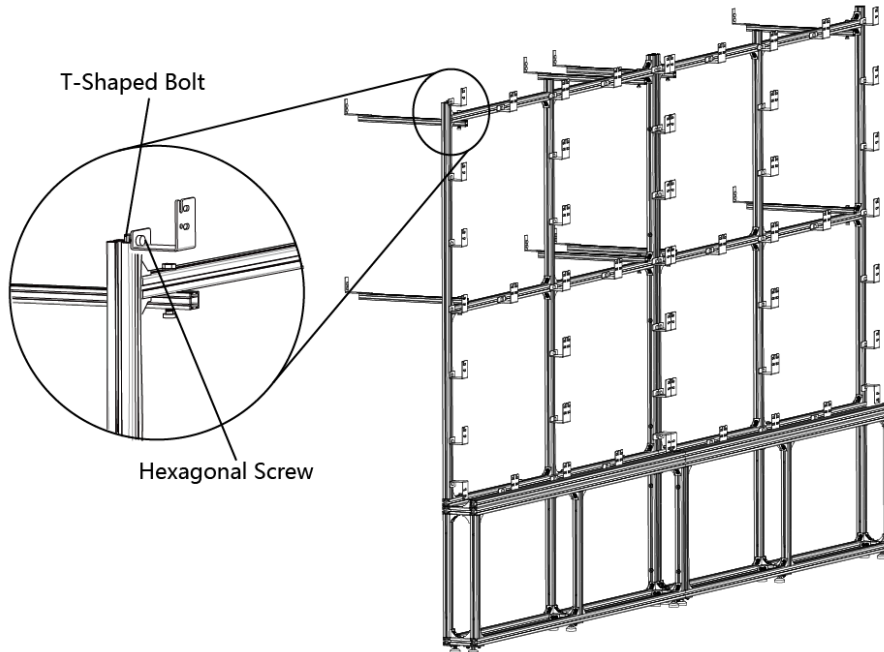


Figure 2-25 Install the Connectors

3. Secure the connectors to the rack frame with screws.

Install Cabinets into the Rack Frame

After the bottom chassis, rack frame, and connectors are well installed, perform the following steps to install the cabinets into the rack frame:

Steps

1. Install the first cabinet from the lower middle part. Level and secure the cabinet to the connectors on the rack frame. For screens do not have connectors near the rear, use joint pieces to fix.

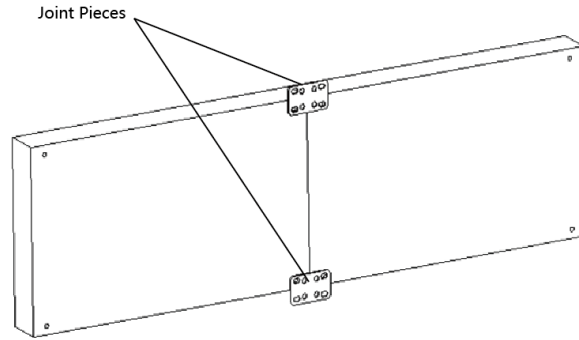


Figure 2-26 Fix the Screen with Joint Pieces

Note

- Install the cabinets from the bottom to the top, from the middle to the sides.
 - Do not fix the screws between the connectors and cabinets too tight for future adjustment.
 - In normal cases, you should lock out LED lamp boards after they are adjusted horizontally and vertically because the boards will probably be moved during the installation of other lamp boards.
 - Ensure that the screen is flat and without evident gap. Otherwise, make some adjustments.
-

2. Repeat the above steps to install the other cabinets in the lowest row.

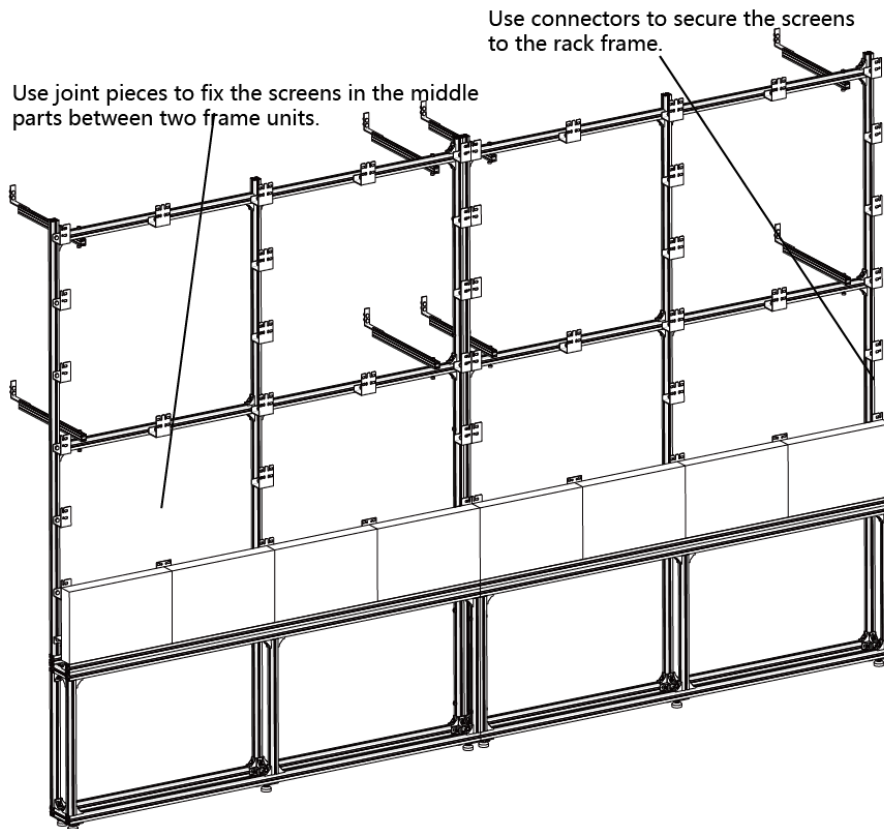


Figure 2-27 Fix the Screens

Full-Color LED Display Unit Installation Guide

3. Use a level to measure and ensure that the cabinets are flat and vertical.

Note

When there is a deviation in height, simply place a thin iron sheet under the bottom. Do not try to resolve the deviation by hitting the cabinets on the top because it will result in larger deviation later.

4. Repeat the above steps to complete the installation of other cabinets.

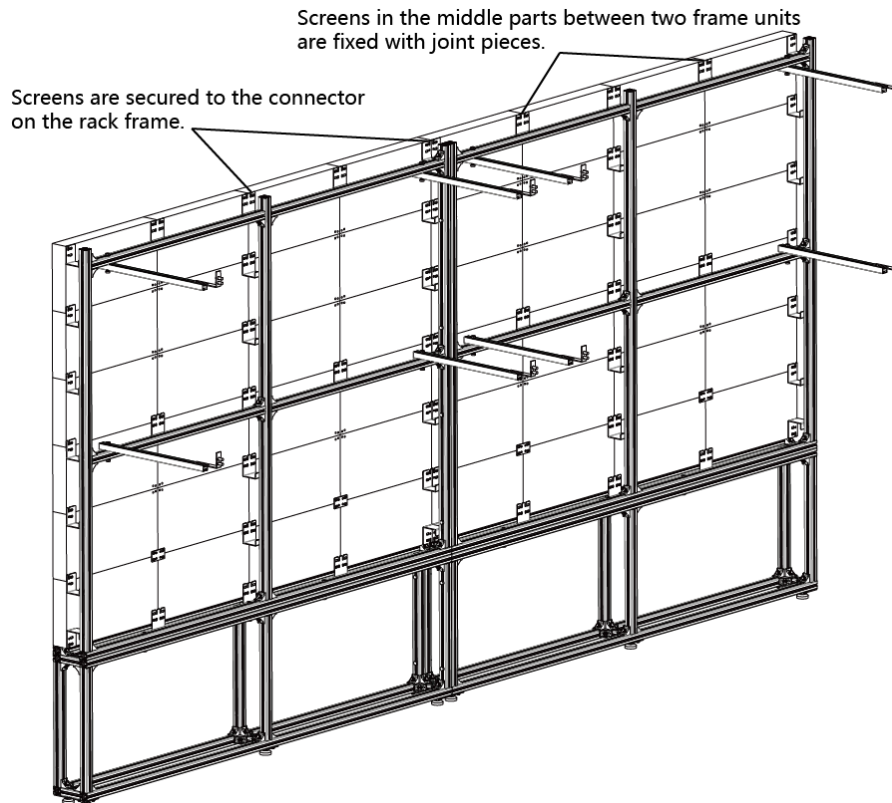


Figure 2-28 Screens Fixed

5. Ensure that all the cabinets are flat and vertical and the seams between the cabinets are even. Then tighten the screws to complete the installation.

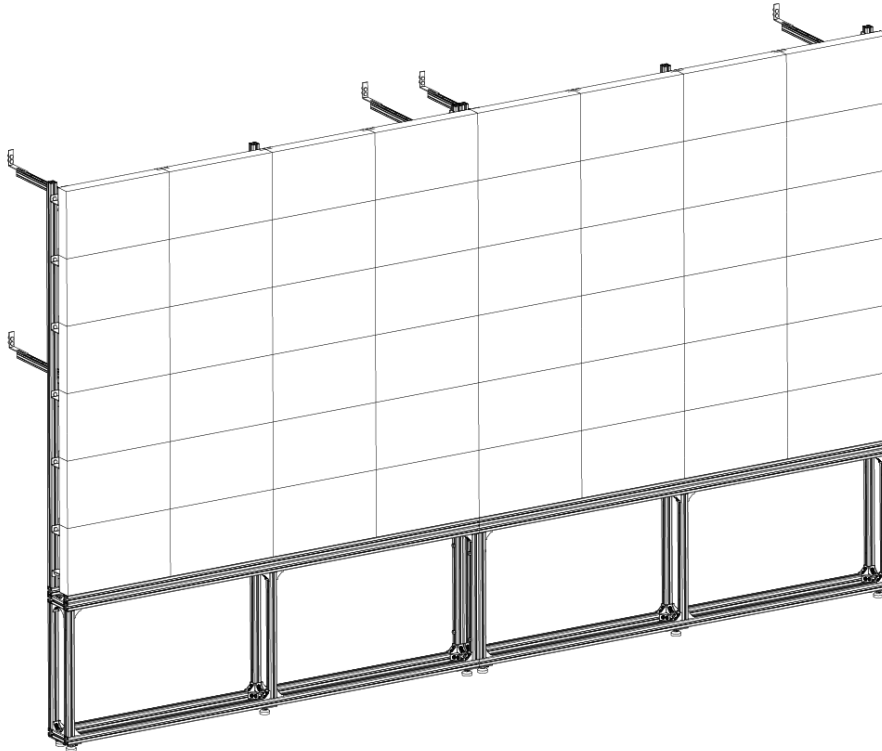


Figure 2-29 Screen Installation Finished

Note

- For details about cabinet stitching, see *Stitch Cabinet Frames*.
 - For details about lamp board installation, see *Install Lamp Boards on the Cabinets*.
-

2.2.4 Install the All-in-One Rack

The all-in-one racks are used for mounting front-maintenance products and back-maintenance products.

Install the Bottom Chassis

Steps

1. Use header corners to connect aluminum extrusion rods.

Note

It is recommended to assemble the base frame units from bottom to top.

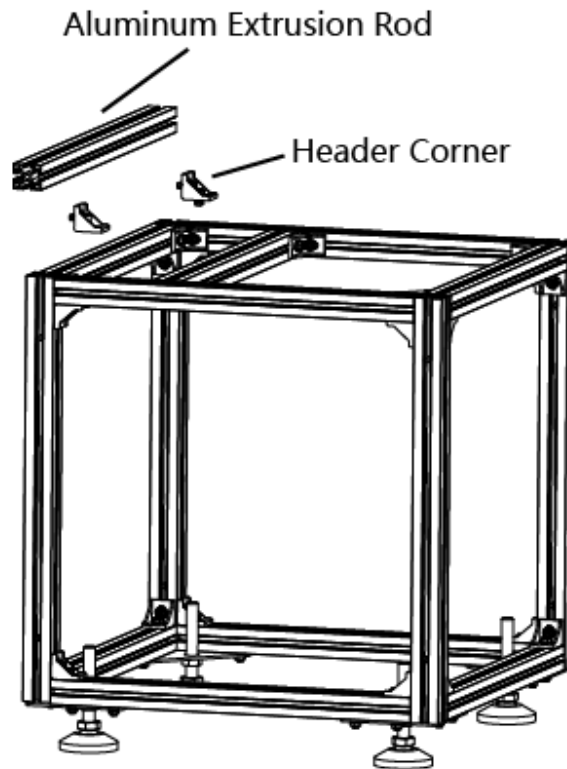


Figure 2-30 Assemble the Base Frame Unit

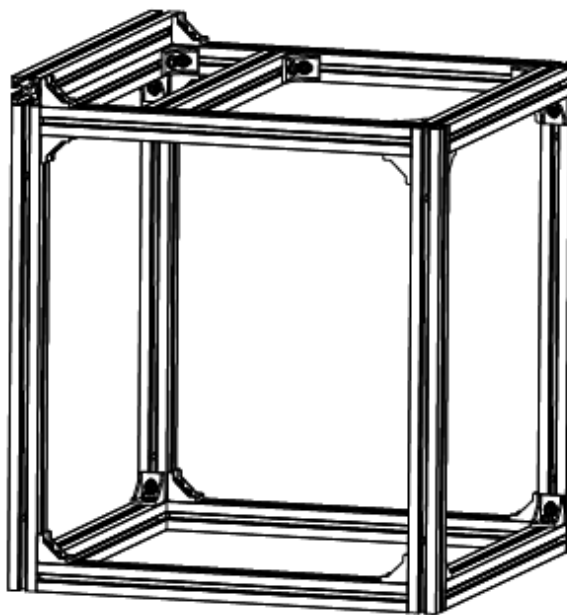


Figure 2-31 Base Frame Unit Assembled

2. Use wedge-locking collector bolts to connect the base frame units.

Full-Color LED Display Unit Installation Guide

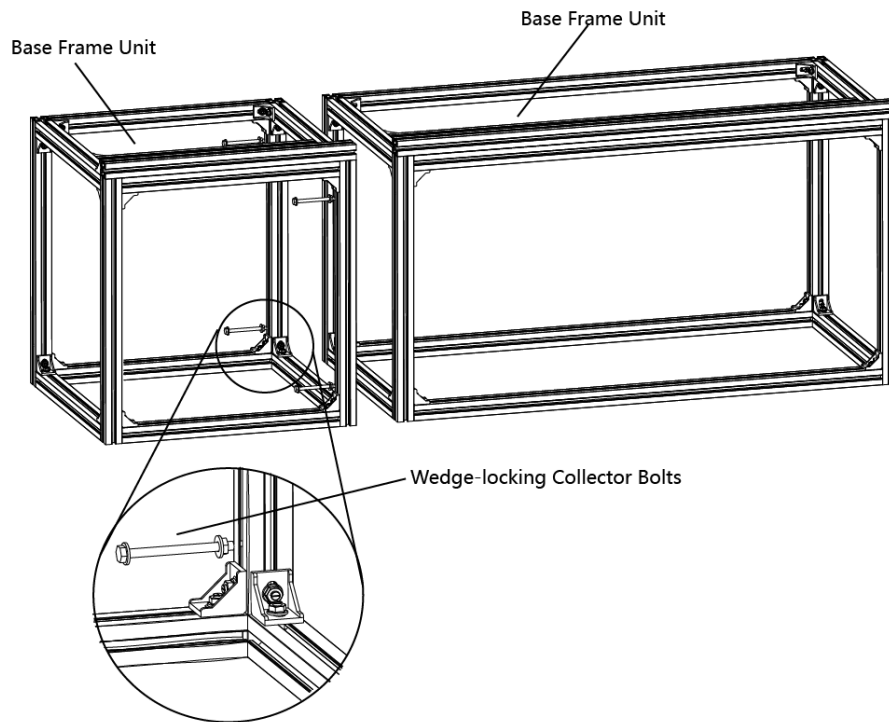


Figure 2-32 Connect the Base Frame Units

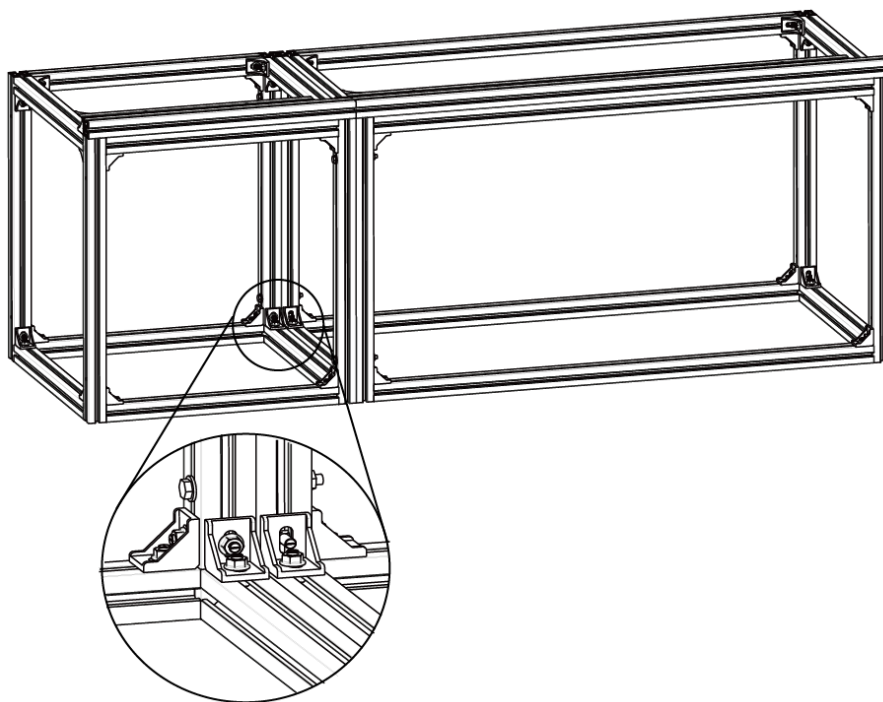


Figure 2-33 Base Frame Units Connected

3. Repeat the above steps to connect the other base frame units.

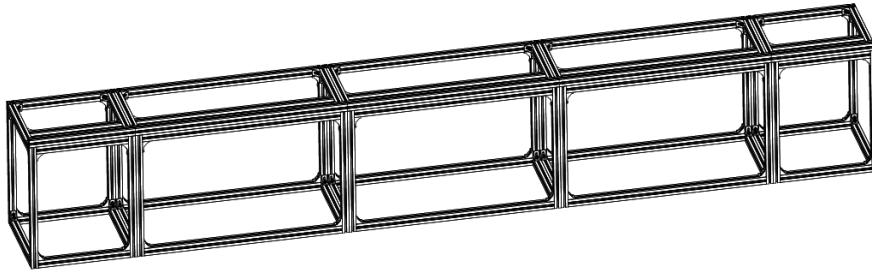


Figure 2-34 Base Frame

4. Position the anchor bolts into the base frame and tighten the bolts.

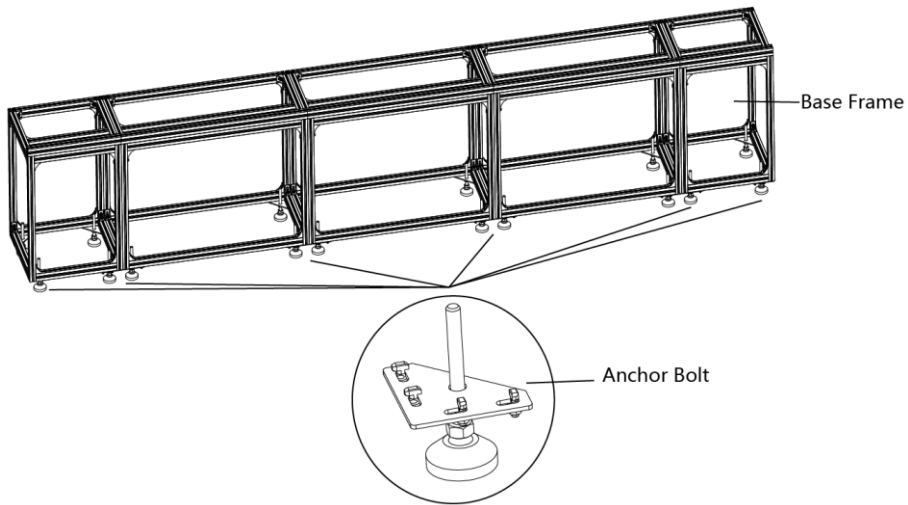


Figure 2-35 Assemble the Base Frame

5. Level the bottom chassis and then tighten the bolts.

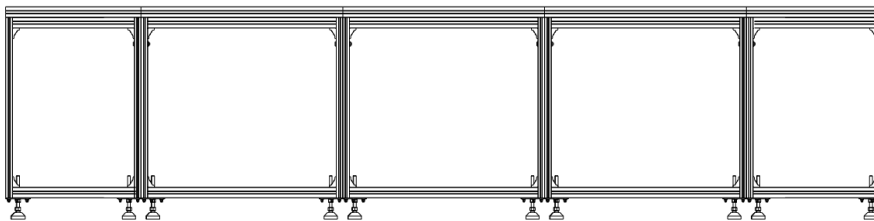


Figure 2-36 Levelled Bottom Chassis

Install the Rack Frame

Steps

1. Use header corners to connect aluminum extrusion rods.

Note

It is recommended to assemble the rack frame units from bottom to top.

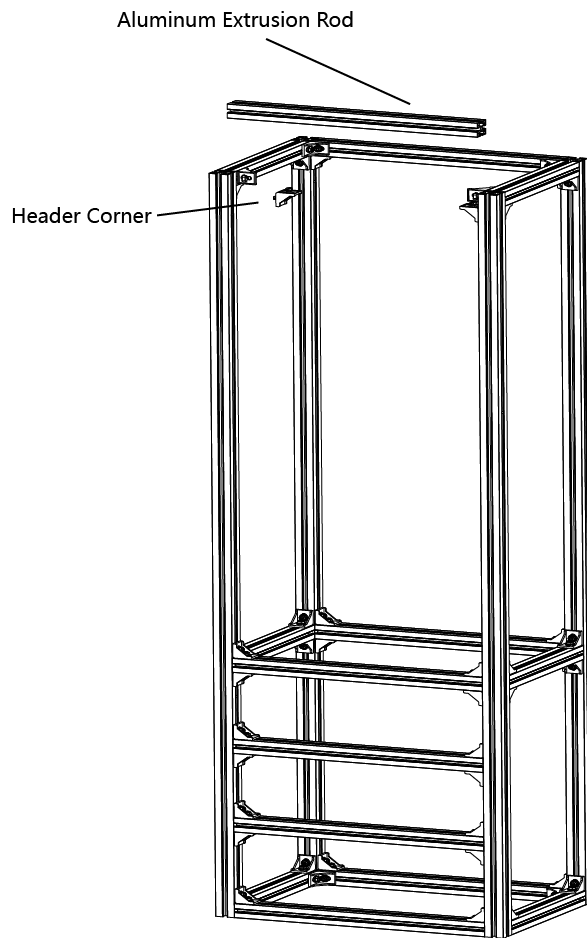


Figure 2-37 Assemble the Rack Frame Unit

2. Use wedge-locking collector bolts to connect the rack frame units.

Full-Color LED Display Unit Installation Guide

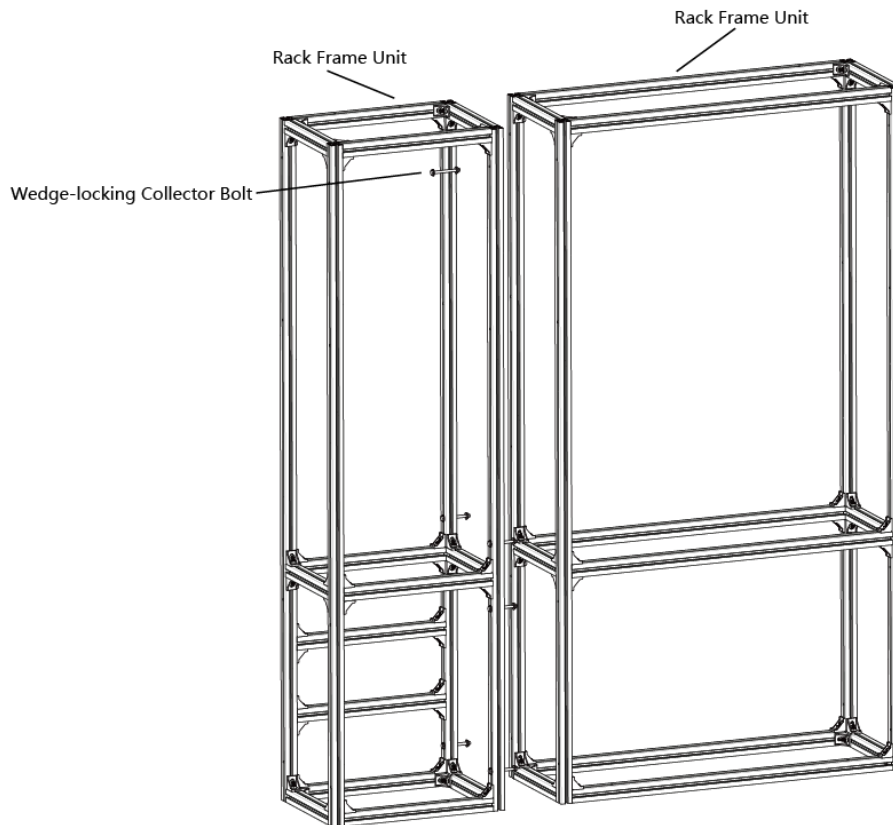


Figure 2-38 Connect the Rack Frame Units

3. Repeat the above steps to connect the other rack frame units.

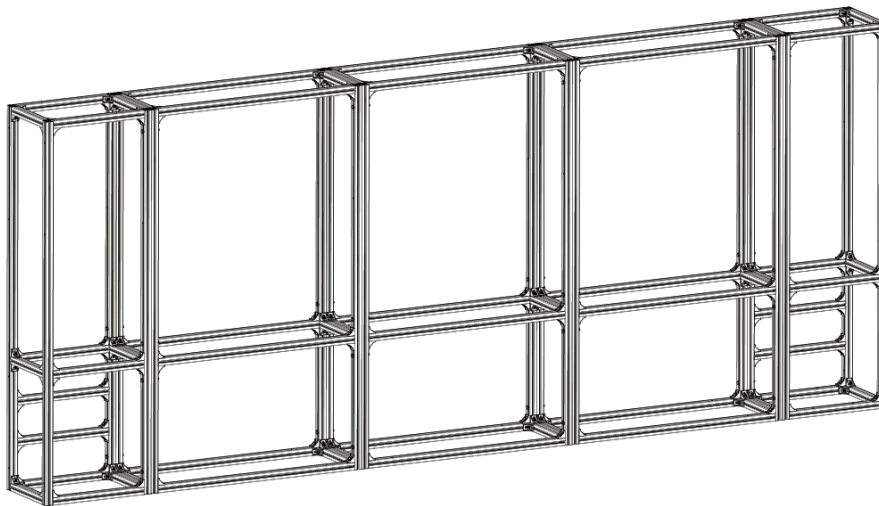


Figure 2-39 Rack Frame

4. Align the rack frame to the base chassis and use wedge-locking collector bolts to fix the frames.

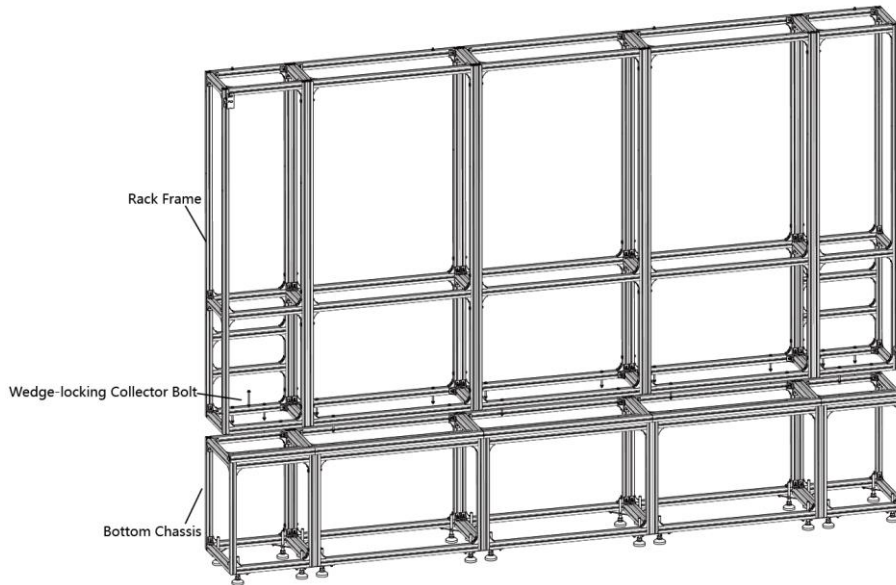


Figure 2-40 Align the Rack Frame to the Base Chassis

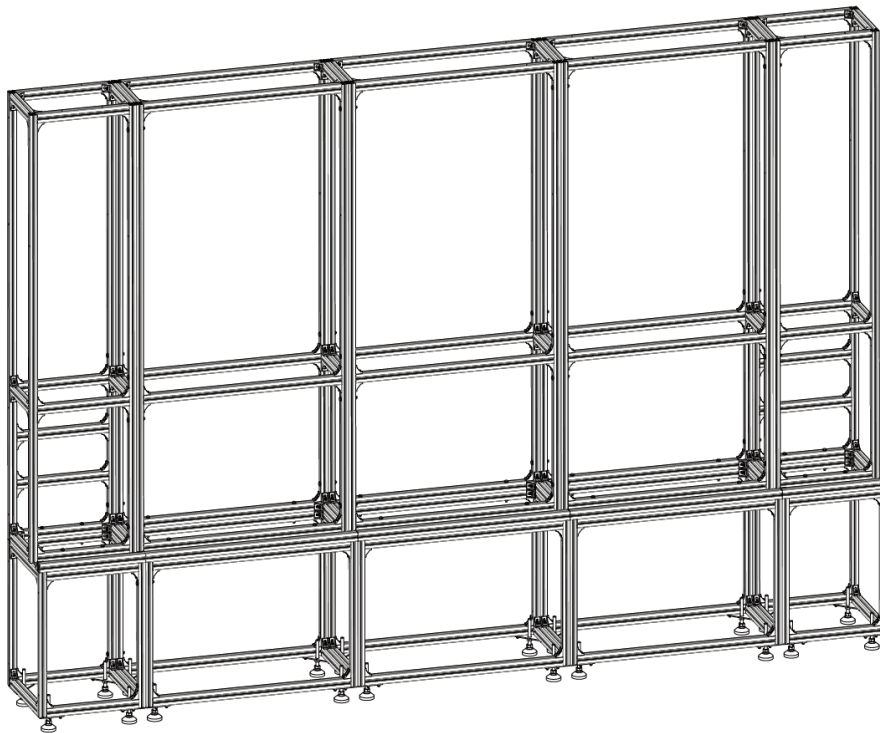


Figure 2-41 Frames Aligned

Install the Rear Pulling Rods (for Large-scale Project)

Steps

1. Use the wedge-locking collector bolts to fix the rear pulling rods into the rack frame.

Full-Color LED Display Unit Installation Guide

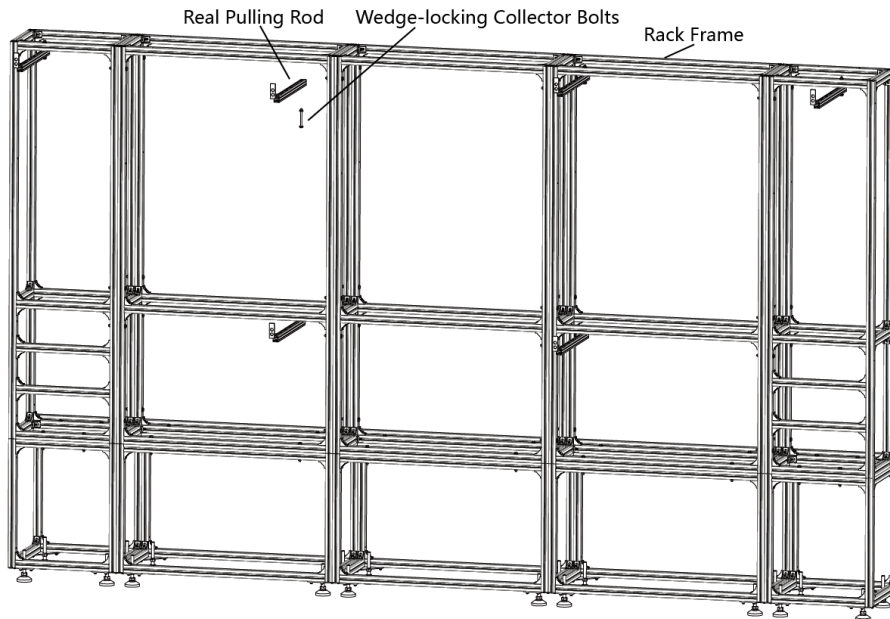


Figure 2-42 Fix the Rear Pulling Rods into the Rack Frame

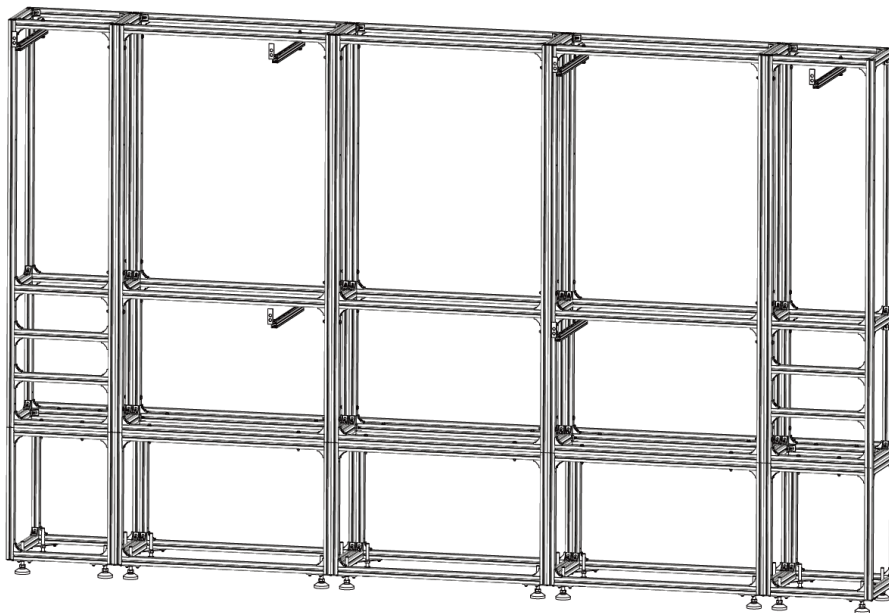


Figure 2-43 Rear Pulling Rods Fixed

2. Use the expansion bolts to fix the rear pulling rods onto the bearing wall.

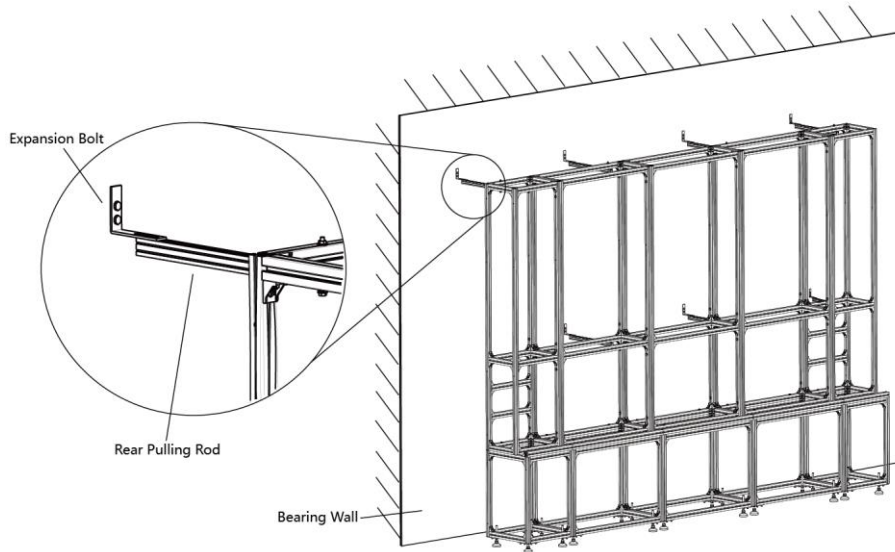


Figure 2-44 Fix the Rear Pulling Rods onto the Bearing Wall

Install the Connectors

The connectors are divided into two parts: customized front joint piece which is used to connect the screens, and back connecting component which is used to connect the rack frame. The following figures list three types of connectors and the positions where the connectors used respectively.

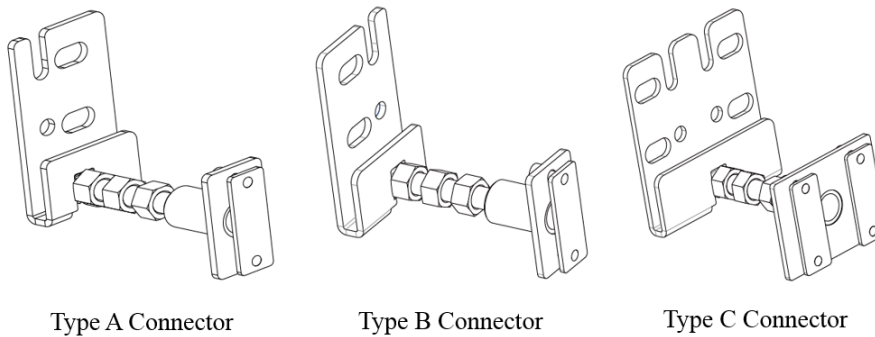


Figure 2-45 Connectors

Full-Color LED Display Unit Installation Guide

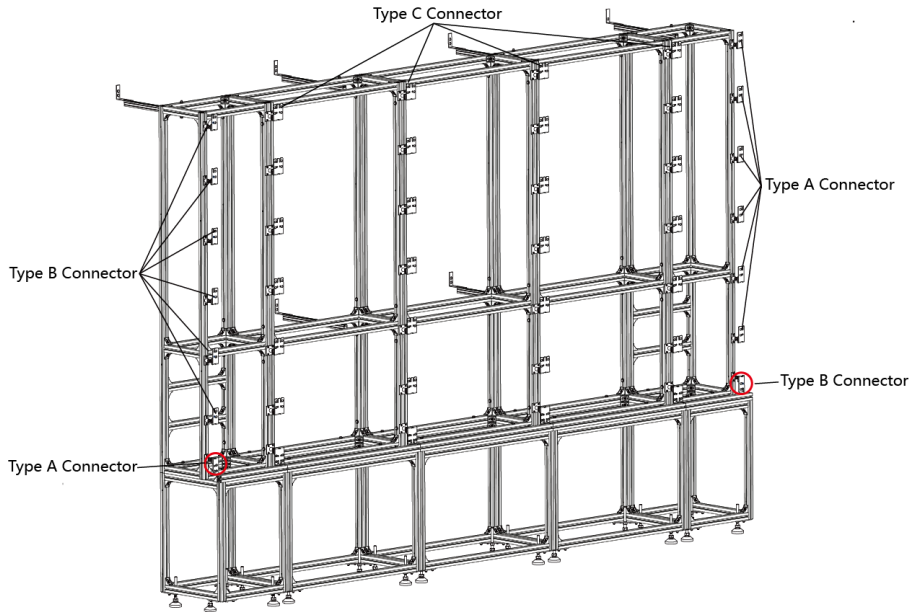


Figure 2-46 Connectors Installed

Note

Please pay attention to the types of outermost connectors between rack frame and bottom chassis.

Steps

1. Twist the hexagonal screws into the screw thread plates.
2. Insert the screw thread plates into the slots of aluminum extrusion rods, and move the connectors to the suitable place.

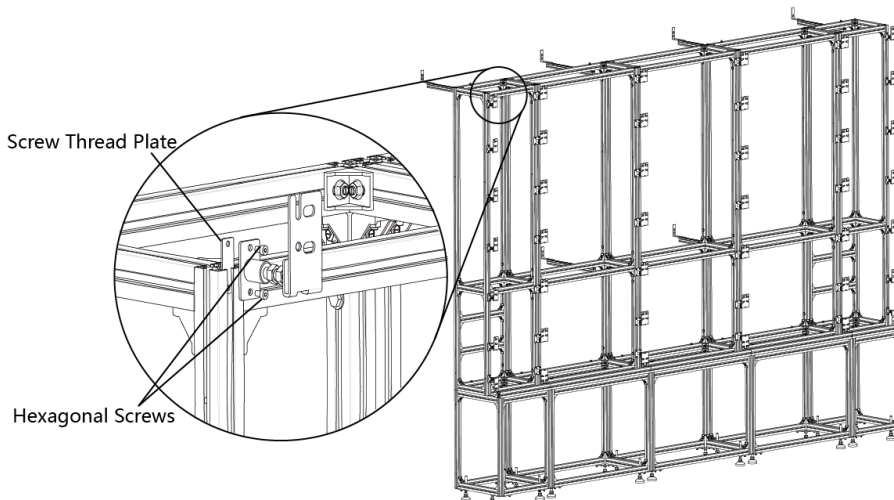


Figure 2-47 Install the Connectors

3. Secure the connectors to the rack frame with screws.

Install Cabinets into the Rack Frame

After the bottom chassis, rack frame, and connectors are well installed, perform the following steps to install the cabinets into the rack frame:

Steps

1. Install the first cabinet from the lower middle part. Level and secure the cabinet to the connectors on the rack frame. For the screens do not have connectors near the rear, use joint pieces to fix.

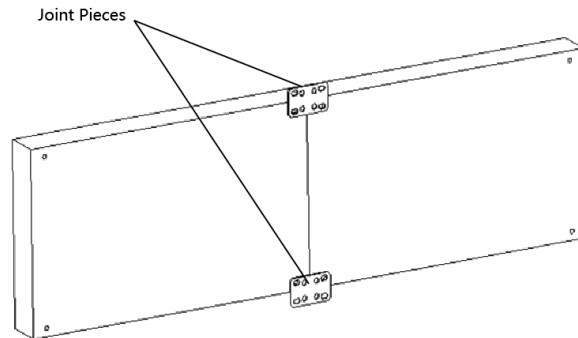


Figure 2-48 Fix the Screen with Joint Pieces

Note

- Install the cabinets from the bottom to the top, from the middle to the sides.
- Do not fix the screws between the connectors and cabinets too tight for future adjustment.
- In normal cases, you should lock out LED lamp boards after they are adjusted horizontally and vertically because the boards will probably be moved during the installation of other lamp boards.
- Ensure that the screen is flat and without evident gap. Otherwise, make some adjustments.

-
2. Repeat the above steps to install the other cabinets in the lowest row.

Full-Color LED Display Unit Installation Guide

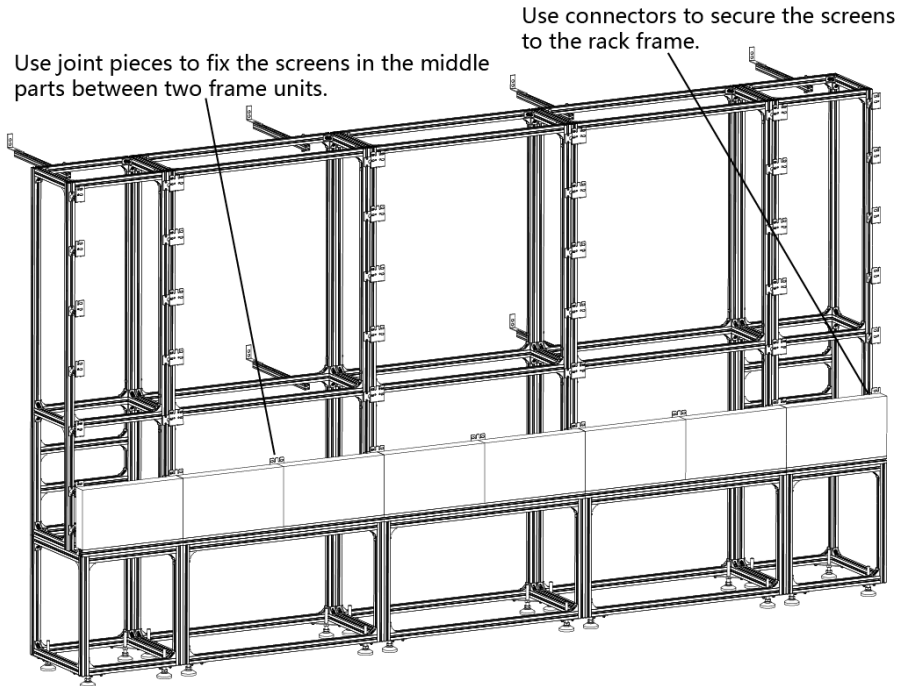


Figure 2-49 Fix the Screens

3. Use a level to measure and ensure that the cabinets are flat and vertical.
-

 **Note**

When there is a deviation in height, simply place a thin iron sheet under the bottom. Do not try to resolve the deviation by hitting the cabinets on the top because it will result in larger deviation later.

4. Repeat the above steps to complete the installation of other cabinets.

Full-Color LED Display Unit Installation Guide

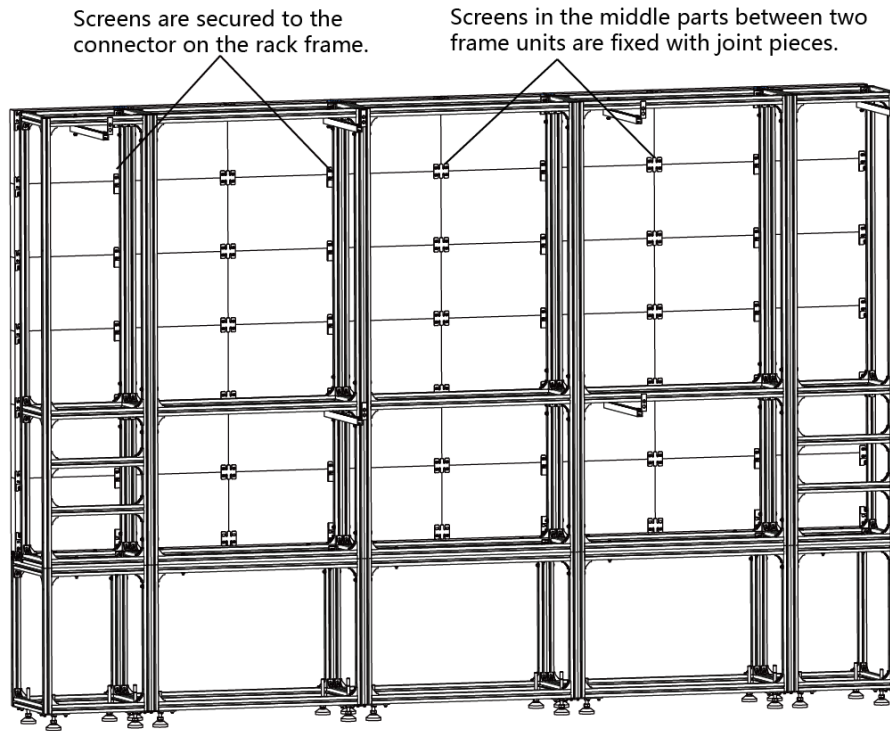


Figure 2-50 Screens Fixed

5. Ensure that all the cabinets are flat and vertical and the seams between the cabinets are even. Then tighten the anchor bolts to complete the installation.

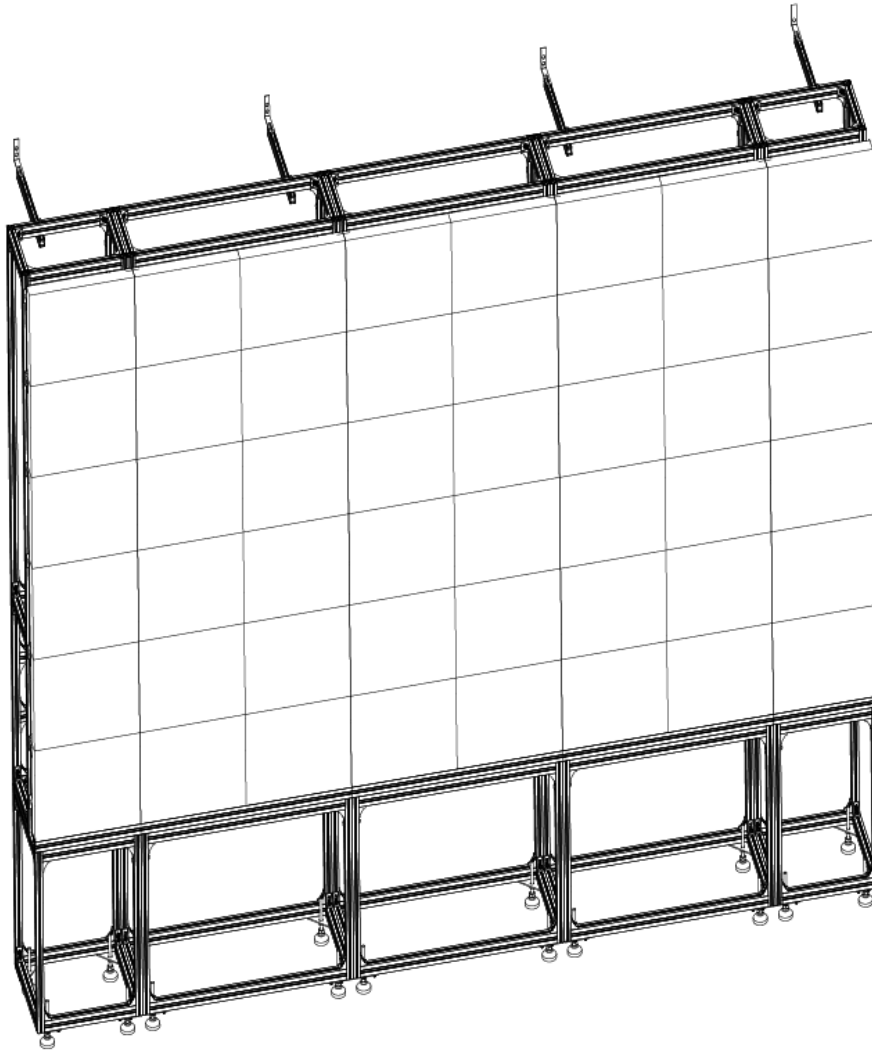


Figure 2-51 Screen Installation Finished

Note

- For details about cabinet stitching, see *Stitch Cabinet Frames*.
 - For details about lamp board installation, see *Install Lamp Boards on the Cabinets*.
-

Install the Cover Plates and Door Plates for Bottom Chassis

Steps

1. Use T-Shaped bolts to install the front cover plates and lateral cover plates for bottom chassis respectively.

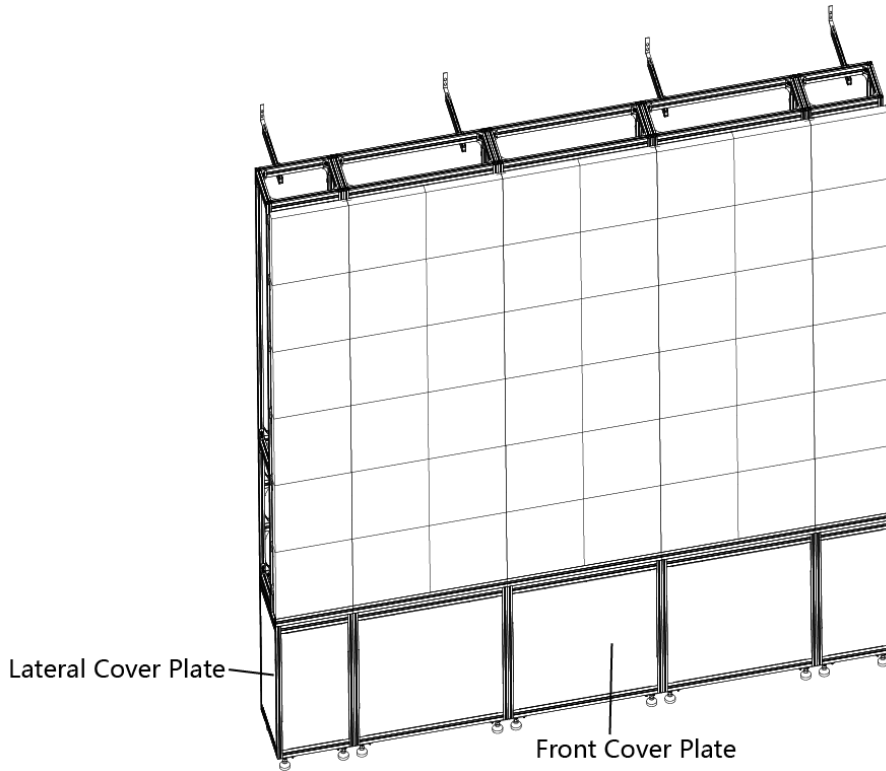


Figure 2-52 Install the Cover Plates

2. Use T-shaped bolts or door hinge to install the door plates including upper fixing plates, lower fixing plates, left door plates, and right door plates.

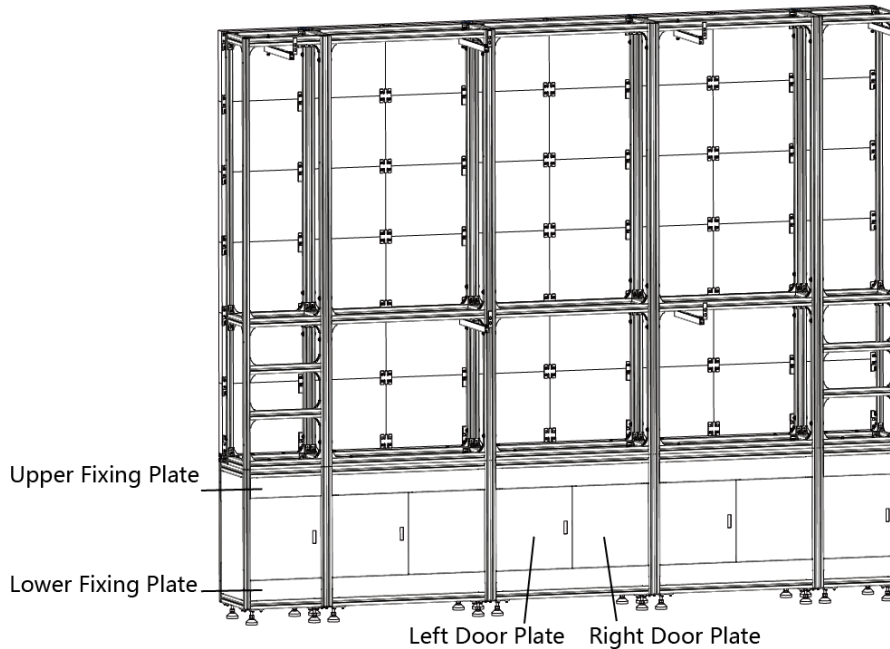


Figure 2-53 Install the Door Plates

Chapter 3 Cabinet Installation

3.1 Introduction

3.1.1 About the Cabinet

A cabinet is a basic unit for LED engineering installation in which LED modules are neatly mounted on a metal sheet (cast aluminum) box, with a built-in independent receiving card and switching power supply, an engineering installation structure, and independent display.

3.1.2 Load Capability of the Cabinet

Load Capability of Network Interfaces

The following table lists the load capability of a single network interface of the sending card for different screen types.

Table 3-1 Load Capability of Network Interfaces

Screen Type	Max Load of a Single Network Interface
P1.2	3 cabinets
P1.5	5 cabinets
P1.8	7 cabinets
P2.0	8 cabinets
P2.5	13 cabinets

Load Capability of Power Cables

Table 3-2 Load Capability of Power Cables

Voltage	Max Load of a Single Power Cable
220 V	15 rows
110 V	7 rows

Follow the instructions below when connecting power cords:

- If your video wall has 15 rows (220 V) or 7 rows (110 V) of LED displays or fewer, connect a single power cord to each column from the bottom of the lowest display. That is, use one power cord for each column.

- If your video wall has more than 15 rows (220 V) or 7 rows (110 V) of LED displays, connect 2 power cords to each column both from the bottom of the lowest display. That is, use 2 power cords for each column.
- For P1.2 cabinet, every 10 cabinets should be connected with a single power cable.

3.2 Install the Cabinets

3.2.1 Precautions

Read the following precaution tips before you install the LED screens:

- Install the LED screens after the decoration construction is completed.
- Avoid humid or high-pH environment to prevent damage to the LED lamps.
- Do not expose the device to rain or humid environment to reduce the risk of fire or electric shock.
- Electric discharge may last for a short period of time after the power is shut down. Please wait two minutes after the power is shut down to operate the device.
- Only use the original power cable delivered with the device. Contact authorized dealer to purchase power cable with same specifications.
- Please do not frequently plug and unplug the power cable when the power is on.

3.2.2 Stitch Cabinet Frames

Cabinet Frame Locating

Align two cabinet frames with the locating studs, locating holes, and installation holes. Single cabinet frame has 2 locating studs, 2 locating holes, and 8 installation holes. The locating studs, locating holes and installation holes are shown below.

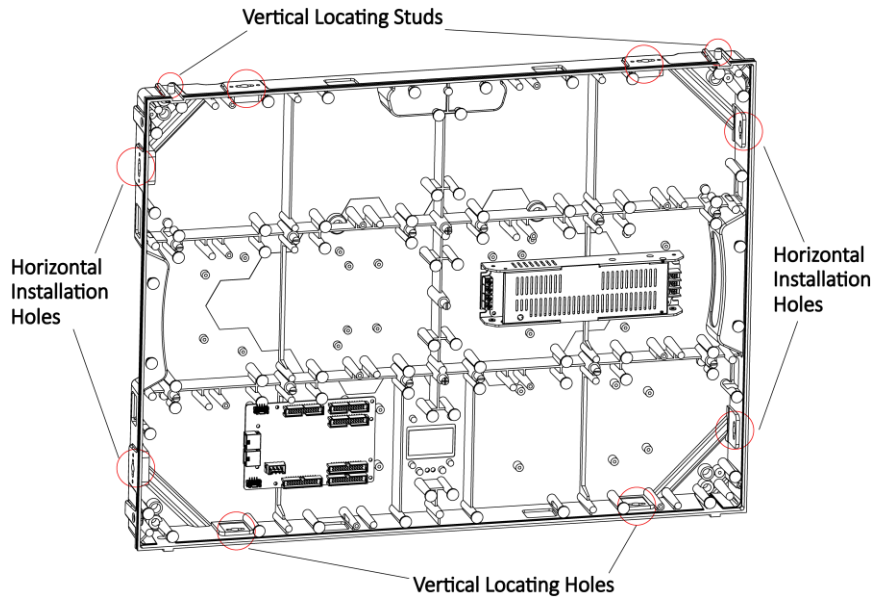


Figure 3-1 Locating Studs, Locating Holes and Installation Holes

Stitch Cabinet Frames Horizontally

Steps

1. Align the installation holes in the horizontal direction of the two adjacent cabinet frames, and adjust the cabinet frames to the relative level.

Full-Color LED Display Unit Installation Guide

2. Use M10 hexagon wrench to secure the bolts.

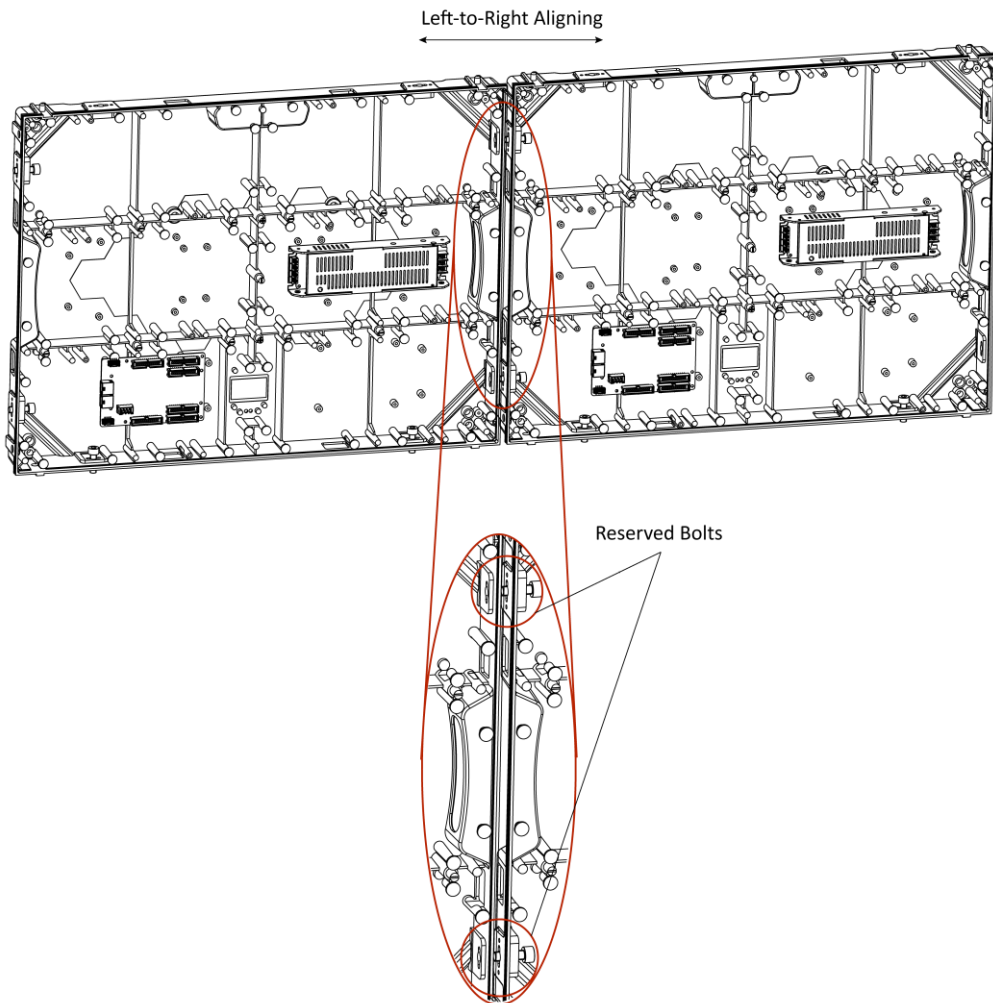


Figure 3-2 Cabinet Stitching Horizontally

Note

- Each cabinet has 2 reserved bolts on the left side.
 - Secure the adjacent cabinets from right to left.
 - Adjust the flatness of the cabinet frames to ensure the horizontal and vertical alignment between the cabinet frames.
-

Stitch Cabinet Frames Vertically

Steps

1. Align the locating studs in the vertical direction of the two adjacent cabinet frames to the locating holes, and adjust the cabinet frames to the relative level.
2. Use M10 hexagon wrench to secure the bolts.

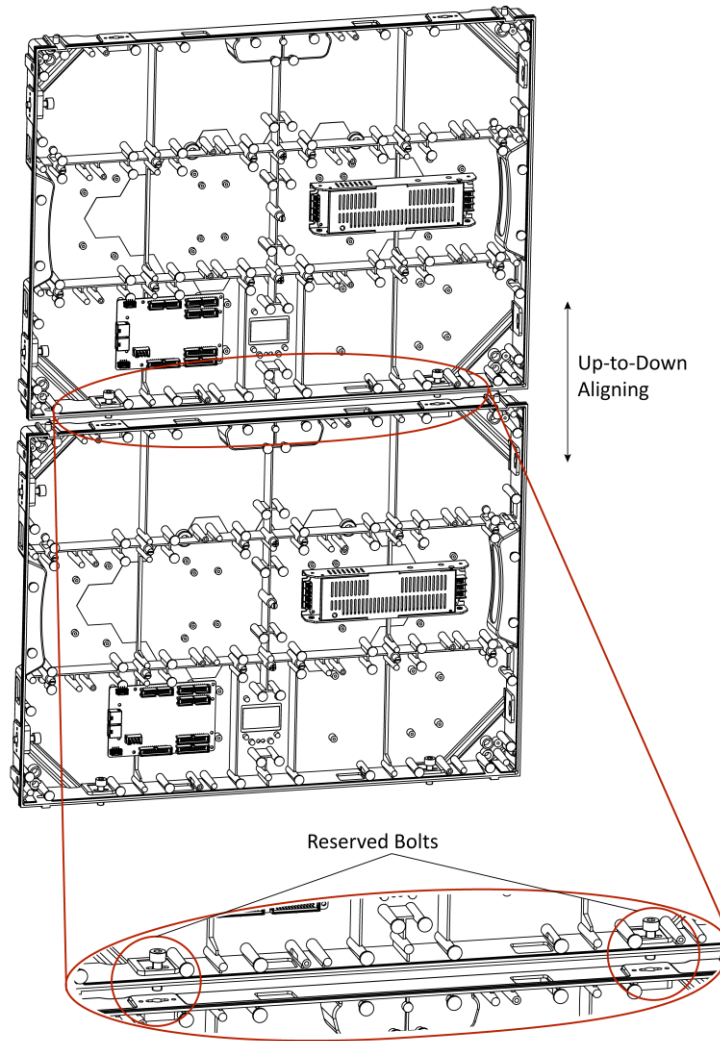


Figure 3-3 Cabinet Stitching Vertically

Note

- Each cabinet has 2 reserved bolts at the bottom.
 - Secure the adjacent cabinets from up to down.
 - Adjust the flatness of the cabinet frames to ensure the horizontal and vertical alignment between the cabinet frames.
-

3.2.3 Install Lamp Boards on the Cabinets

The front and back of the lamp board are shown below.

Full-Color LED Display Unit Installation Guide

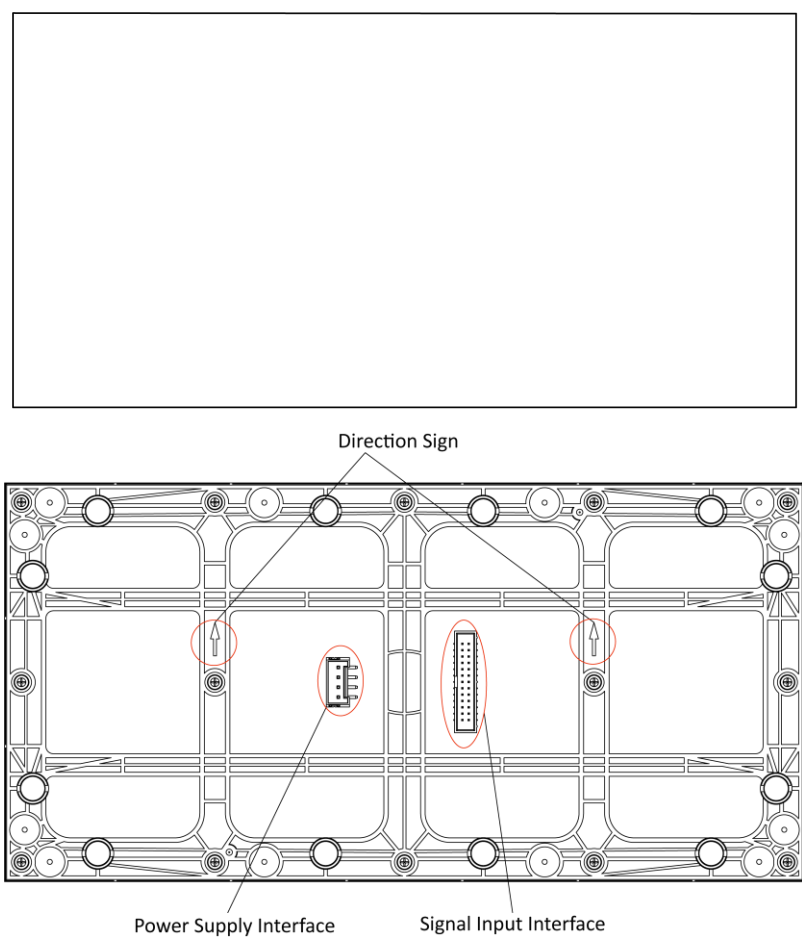


Figure 3-4 Front and Back of the Lamp Board

Fix the lamp boards on the cabinet frames by magnetic attraction. One cabinet frame is equipped with 6 lamp boards. It is recommended to connect and install the 6 lamp boards for each cabinet from down to up and right to left (as the figure shown below).

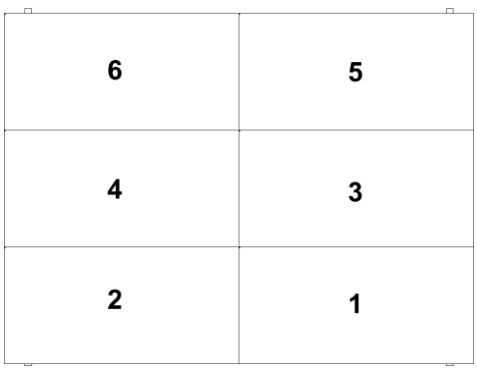


Figure 3-5 Install Lamp Board by the Specific Order

Steps

1. Use signal cable to connect the cabinet and corresponding lamp, and access to power source.

Note

- The signal cable connection varies with different pixel pitches and signal input modes for lamp boards. The figures below show different connections for different kinds of lamp boards. Numbers on the interfaces indicate which lamp board should be connected to (lamp boards serial number refer to **Figure 3-5**).
- There are 3 long signal cables (500mm) and 3 short signal cables (300mm) for P1.2 to P1.6. The long signal cables should connect to position 3, 5 and 6. The short signal cables should connect to position 1, 2 and 4.

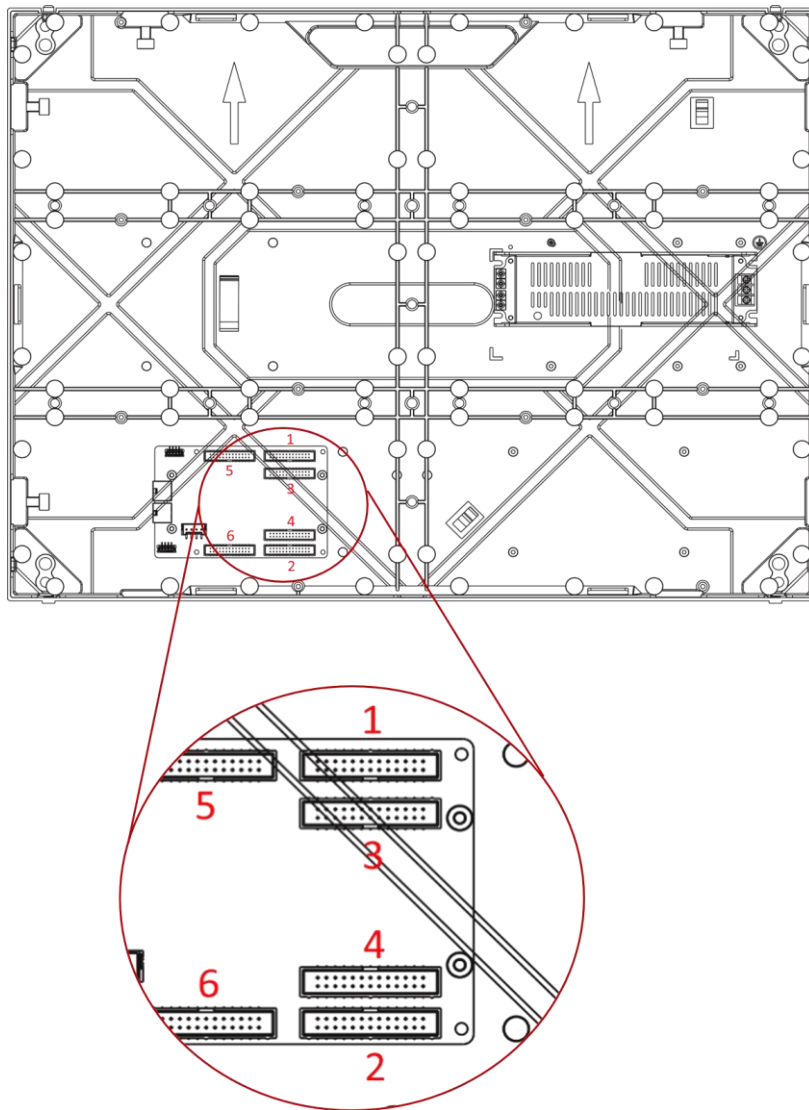


Figure 3-6 Signal Cable Connection (P1.2 to P1.6)

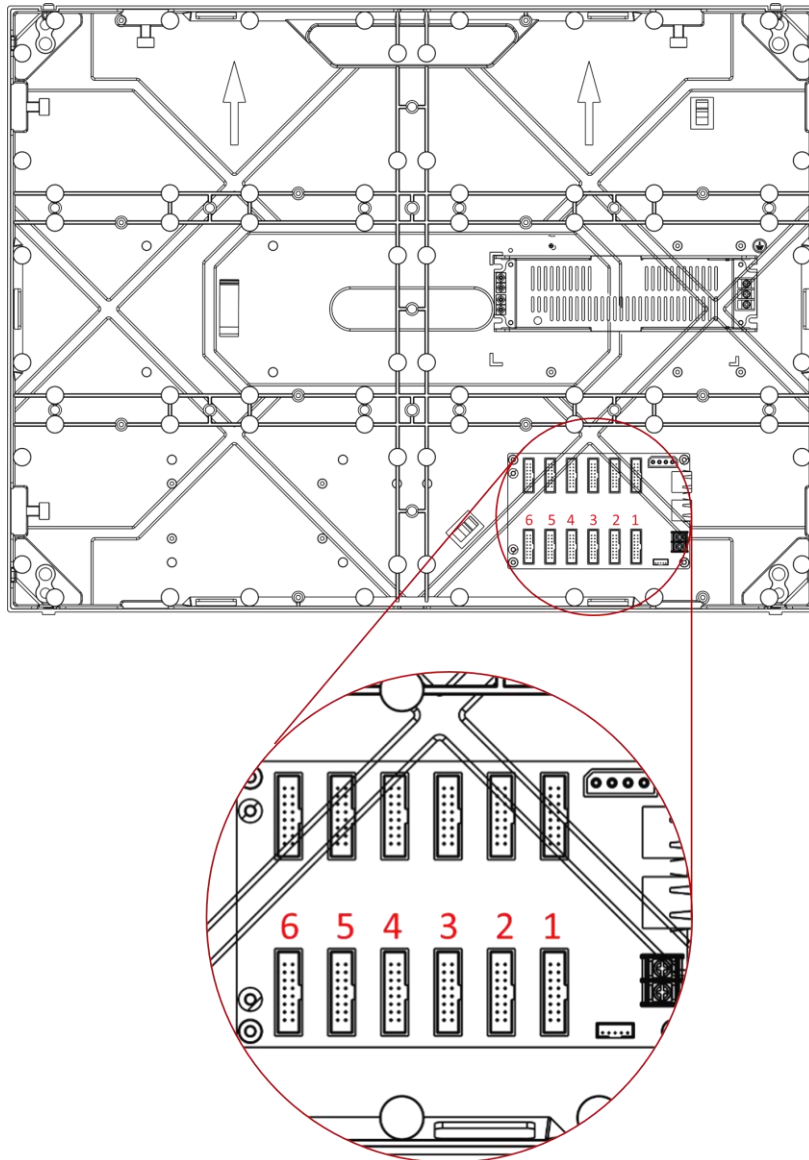


Figure 3-7 Signal Cable Connection (P1.8 and P2.5)

2. Place the lamp boards on the front of the cabinet frames, and align the lamp boards and the edge of the cabinet frames initially.

Note

Please align the connector and pay attention to the direction of lamp boards when adsorbing the lamp board.

3. Align and adsorb the lower edge of the lamp boards with the cabinet frames, and then align the locating studs on the lamp boards to the locating holes on the cabinets and adsorbs the remaining three sides of the lamp boards.
4. The lamp board adsorbs to the cabinet automatically.

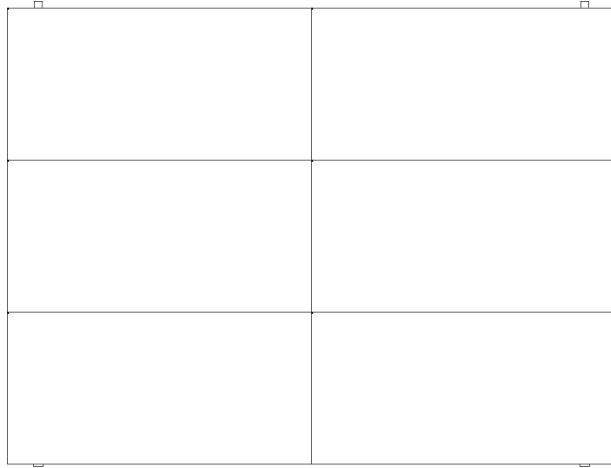


Figure 3-8 Lamp Board Installation Completed

4. Optional: If you need to remove the lamp boards, remove the first lamp board by using the LED vacuum pumping tool, and remove other lamp boards with hands.

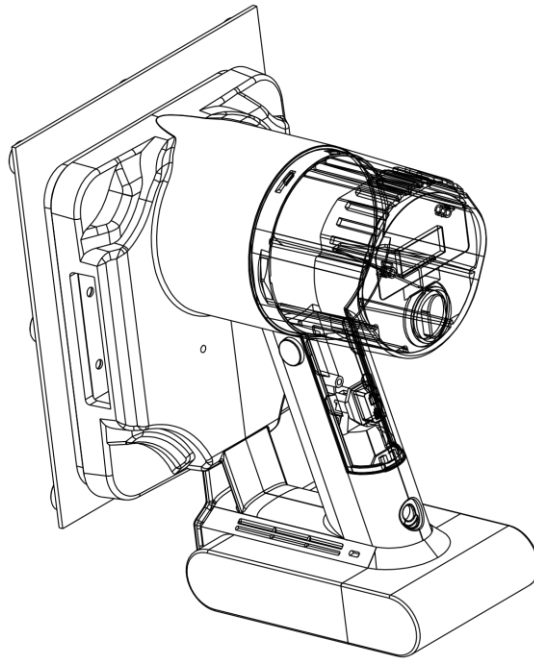


Figure 3-9 LED Vacuum Pumping Tool

3.2.5 Install Protective Shield

To reduce the risk of electric shock, install protective shield on the exposed connector after completing LED screen installation.

! Danger

- To reduce the risk of electric shock, install protective shield on the exposed connector after installing LED screen.

Full-Color LED Display Unit Installation Guide

- The power cable of LED screen should be grounded before powering on the screen.
 - Before installing the protective shield, ensure that the power is cut off.
-

3.2.4 Adjust Lamp Boards on the Cabinets

Rotate the iron pieces on the cabinet frames to push the adjusting points and lamp boards out until the cabinet is level with others.

In the following figure, all the circled points are adjusting points, and there are 12 adjusting points for each cabinet.

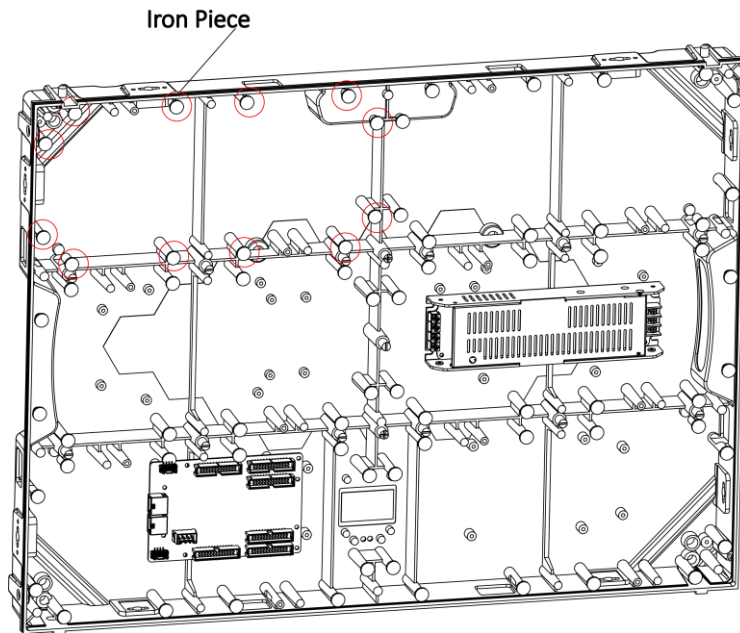


Figure 3-10 Points Adjustable on the Front of Cabinet Frames

Chapter 4 Software Debugging

4.1 Log in to the Device

In order to protect personal account privacy and reinforce system/data security, you need to set login password and activate the device for your first login.

Before you start

- The LED display controller client has been installed correctly.
- PC and the terminal are in the same network segment.

Steps

1. Run the client.

Full-Color LED Display Unit Installation Guide

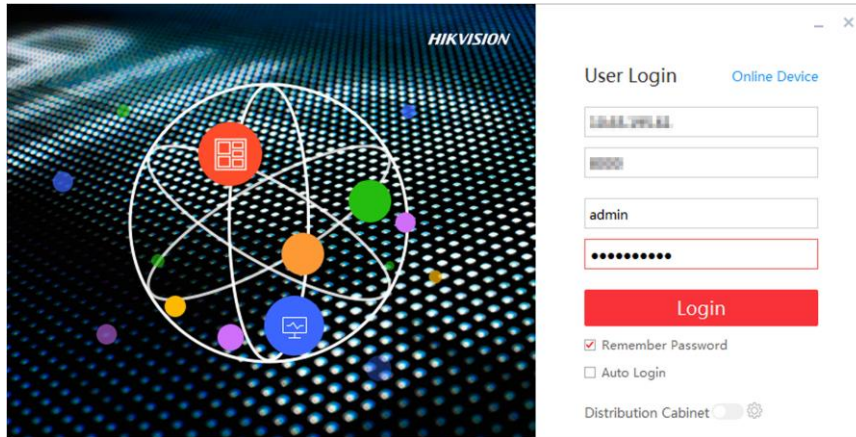


Figure 4-1 Login Interface

2. Click **Online Device** to search for online devices.
3. Activate the desired online device.
 - If the device is not activated, activate the device and set a password.
 - If the device is activated, enter the password to log in.
 - If you forget the password, reset the password using your OA account.

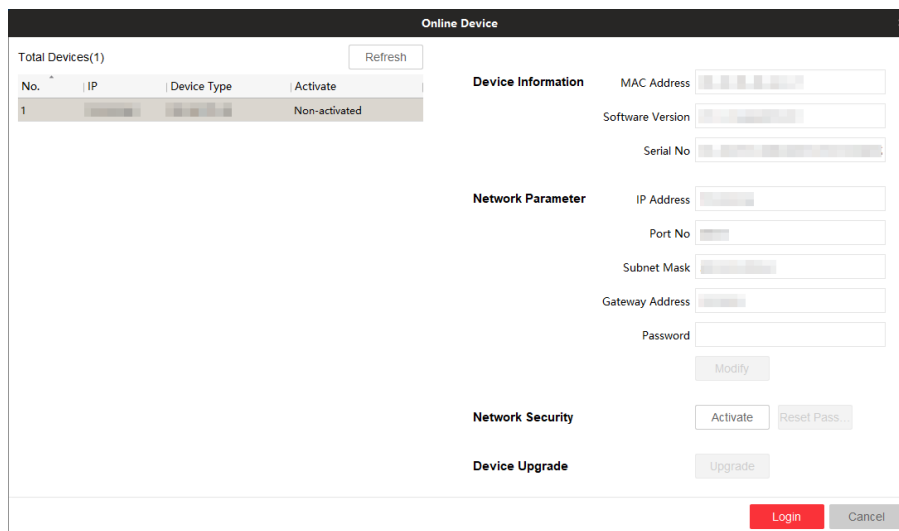


Figure 4-2 Online Device

4. Choose the device and change the IP address and gateway.

Note

- Ensure that the device resides on the same network segment with your PC client.
- Change your PC's IP address to the device's IP address which is displayed on the LED display controller at intervals.

5. Click **Refresh**.
6. Choose the device and log in.

Note

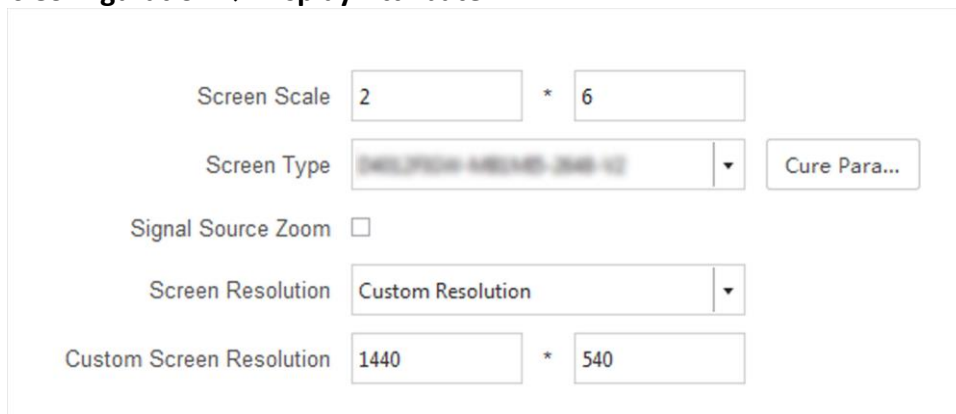
The default username is **admin**, password is **admin12345**, and port is **8000**.

4.2 Configure Screen Attributes

Configure screen scale, type, and resolution. You can also select signal source type as needed.

Steps

1. Go to **Basic Configuration** → **Display Attribute**.



The screenshot shows a configuration form with the following elements:

- Screen Scale:** Two input boxes containing '2' and '6' separated by an asterisk.
- Screen Type:** A dropdown menu showing 'DUAL DISPLAY 480*480-12' and a 'Cure Para...' button to its right.
- Signal Source Zoom:** A checkbox that is currently unchecked.
- Screen Resolution:** A dropdown menu showing 'Custom Resolution'.
- Custom Screen Resolution:** Two input boxes containing '1440' and '540' separated by an asterisk.

Figure 4-3 Display Attributes

2. Click **Cure Parameter** to get the model information of screen.
3. Set **Screen Scale** according to the actual scale of the terminal, and keep other parameters as the default value.
4. Click **Save**.

4.3 Configure Signal Cables

Configure signal cables according to the actual receiving card connection between LED cabinets.

Steps

Note

After the screen scale is configured, LED screen will show the information of signal cable connection. The connection of signal cables on the client must match the screen connection.

1. Go to **Basic Configuration** → **Signal Cable Configuration**.
2. **Optional:** Check **Display Actual Lines on Screen** if no position prompt is shown on the screen.

Full-Color LED Display Unit Installation Guide

Note

Undo check **Display Actual Lines on Screen** after signal cable configuration finished and saved.

3. Select sending port below **Please select sending port to connect.**

Note

Connect screens in accordance with the position prompt of each screen. If the position prompt shows *2-1*, it indicates that the screen is the first screen connected to No.2 sending port.

4. Connect signal cables.

- Click the screen area on the right side to connect signal cables.
- Select **Line Type**, and select starting port and end port on the right side area.

5. Right-click on the right side of the interface after connection.

6. Select **Complete Signal Cable Connection.**

7. Click **Save.**

The information of *'Port configuration information set.'* will pop up after the signal cable connected.

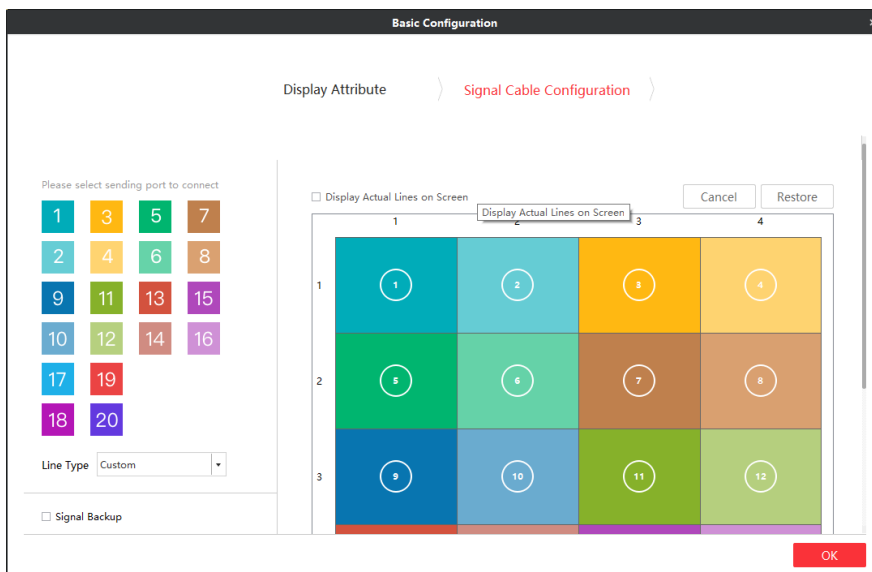


Figure 4-4 Cable Configuration



See Far, Go Further