

## DS-TCPX45 (D) (-KB) Series Parking Camera

### Introduction

The DS-TCPX45 (D) (-KB) Series Parking Camera is applied in the parking guidance and find my car system to detect whether the parking space is occupied or not. It is integrated with parking space status indicator which can indicate red, green, yellow, blue, cyan, white and magenta colors. Red indicates the parking space is occupied, green indicates the parking space is available, and blue indicates the parking space is reserved.

The camera can be widely applied in the environment with dark light or no light at all, such as road, warehouse, underground garage, bar, pipeline, garden, etc. to provide HD display.

### Features and Functions

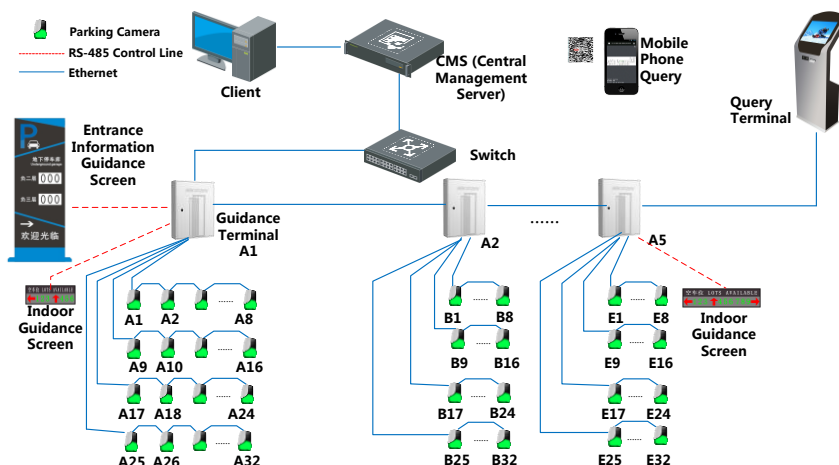
- HD 1.3 MP and 3 MP camera, applied in environment with low illumination such as underground garage;
- 3D noise reduction to guarantee clean and exquisite image;
- Smart detection of the parking space status, and smart analysis of over line, motion detection, etc.;
- Energy-saving LED with high brightness and low consumption;
- Network wiring with easy connection, installation and maintenance;
- The max. resolution can reach 2304 × 1296 × 2 for DS-TCP345D(-B), 2304 × 1296 for DS-TCP345(-B), 1280 × 720 for DS-TCP145(-KB), and real-time video can be output under these resolutions;
- ROI encoding;
- 2 RJ45 interfaces, supporting connecting cameras in series, and no power cord is needed;
- Dual-stream;
- Embedded iBeacon module, supporting indoor positioning and navigation with the help of APP; iOS or Android SDK is provided.



### Available Models

Model	Description
DS-TCP345D(-B)	Single/Dual-lens parking camera, monitoring 3 parking spaces of 1 directions, 6 parking spaces of 2 directions; parking space status indicator integrated; Optional iBeacon module for indoor positioning and navigation.
DS-TCP145(-KB)	Single-lens parking camera, monitoring 1 or 2 parking spaces of 1 direction; parking space status indicator integrated; Optional iBeacon module for indoor positioning and navigation; Optional controllable external indicator of multi-interfaces.

### Typical Application

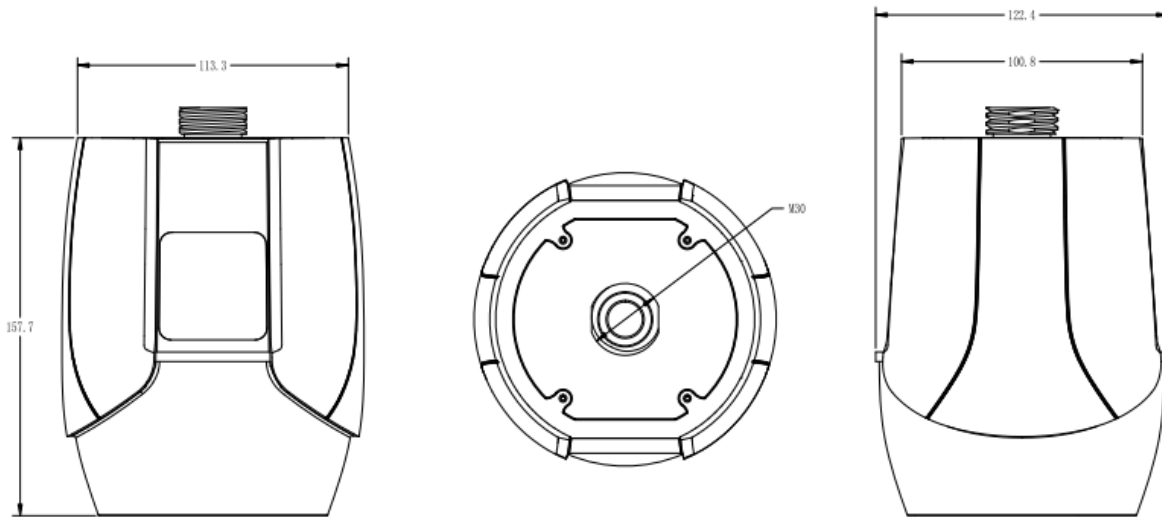


## Specifications

Model	DS-TCP345D(-KB)	DS-TCP145(-KB)
Name	XX MP 1/3 CMOS Dome Network Camera	
LED indicator	In integrated mode, red, green, yellow, blue, cyan, white and magenta colors can be indicated; In separation mode, up to 3 external indicators which can indicate red, green, yellow, blue, cyan, white and magenta colors can be connected; Support indicator flickering.	
Shutter	1/3 to 1/100,000 second	
Lens	6 mm (0.7 MP)/4 mm (1.3 MP)/2.8 mm (3 MP)	
Angle adjustment	Vertical: 0° to 30°	
Video compression	H.264/MJpeg	
Output bit rate	32 Kbps to 16 Mbps	
Max. resolution	2304 × 1296 × 2/2304 × 1296/1280 × 720	
Frame rate	Main stream: 20 fps (1296p)/25 fps (720p); Sub-stream: 25 fps (CIF)	
Image settings	Brightness, contrast, saturation, etc. can be adjusted via client or IE browser.	
Backlight Compensation	Supported; Areas can be selected.	
Storage	NAS (iSCSI optional)	
Protocol	TCP/IP, HTTP, DHCP, DNS, DDNS, RTP, RTSP, PPPoE, SMTP, NTP, UPnP, SNMP, FTP, 802.1x, QoS, HTTPS (SIP, SRTP and IPv6 optional)	
General functions	Flicker filter, dual-stream, heartbeat, mirror, password protection, privacy mask and watermark	
Communication interface	2, RJ45 10M/100M self-adaptive Ethernet interface; 1, power interface; 3, external indicator interface (for -K model)	
iBeacon	Standard iBeacon protocol (for -B model)	
Working temperature	-20 °C to +50 °C (-4 °F to 122 °F)	
Working humidity	< 95% (no condensation)	
Power supply	Hikvision PoE, or 12 to 24 VDC wide-range voltage	
Consumption	10 W MAX (dual-lens)/6 W MAX (single-lens, 3 MP)/5 W MAX (single-lens, 1.3 MP)	
Dimensions	158 × 113 × 122 mm (6.2 × 4.4 × 4.8 inch)	
Weight	500 g (1.1 lb)	

## Dimensions

(Unit: mm)



Distributed by



## HIKVISION®

### Headquarters

No.555 Qianmo Road, Binjiang District,  
Hangzhou 310051, China  
T +86-571-8807-5998  
overseasbusiness@hikvision.com

**Hikvision USA**  
T +1-909-895-0400  
sales.usa@hikvision.com

**Hikvision Italy**  
T +39-0438-6902  
info.it@hikvision.com

**Hikvision Singapore**  
T +65-6684-4718  
sg@hikvision.com

**Hikvision Africa**  
T +27 (10) 0351172  
sale.africa@hikvision.com

**Hikvision Europe**  
T +31-23-55-42-770  
info.eu@hikvision.com

**Hikvision France**  
T +33(0)1-85-330-450  
info.fr@hikvision.com

**Hikvision Oceania**  
T +61-2-8599-4233  
salesau@hikvision.com

**Hikvision Hong Kong**  
T +852-2151-1761

**Hikvision Middle East**  
T +971-4-8816086  
salesme@hikvision.com

**Hikvision Spain**  
T +34-91-737-16-55  
info.es@hikvision.com

**Hikvision Canada**  
T +1-909-895-0400  
sales.usa@hikvision.com

**Hikvision Russia**  
T +7-495-669-67-99  
saleru@hikvision.com

**Hikvision Poland**  
T +48-22-460-01-50  
poland@hikvision.com

**Hikvision Korea**  
T +82-31-731-8841  
sales.korea@hikvision.com

**Hikvision India**  
T +91-22-28469900  
sales@pramahikvision.com

**Hikvision UK**  
T +01628-902140  
support.uk@hikvision.com

**Hikvision Brazil**  
T +55 11 3318-0050  
Latam.support@hikvision.com