

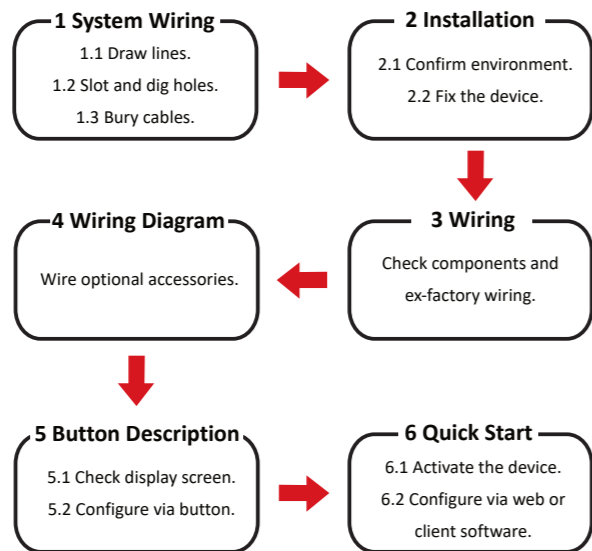


DS-K3G200(L)X Series Tripod Turnstile

Quick Start Guide

UD32757B-A

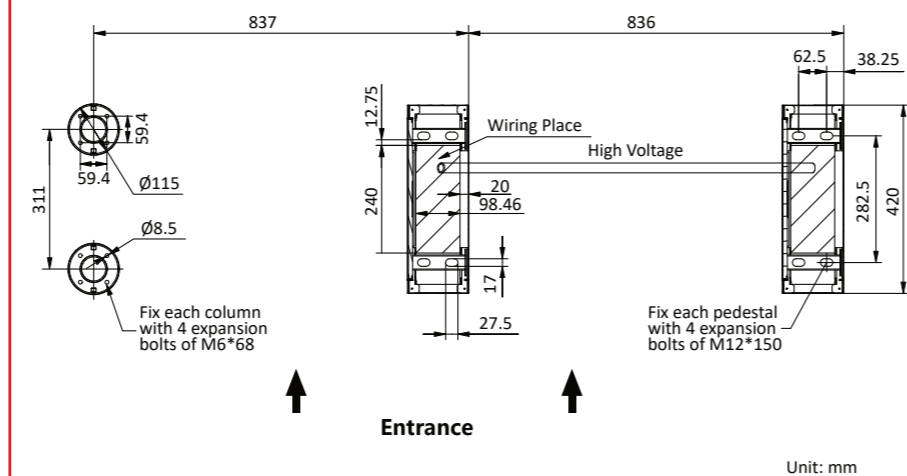
Quick Start Flow Chart



Scan the QR code to view the user manual.



1 System Wiring



Steps:

1. Draw a line based on the outer edge of the left or right pedestal or column.
2. Draw other parallel lines for installing the other pedestals.
3. Slot on the installation surface and dig installation holes according to the hole position. Put 4 expansion bolts of M12*150 for each pedestal.
4. Bury cables. Each lane buries 1 high voltage cable. For details, see the system wiring diagram.



- High voltage: AC power input
- The suggested inner diameter of the high voltage conduit is larger than 30 mm.
- The external AC power cord should be double-insulated.
- The network cable must be CAT5e or the network cable has better performance.
- Before digging holes, evaluate the thickness of the installation surface to avoid puncturing.

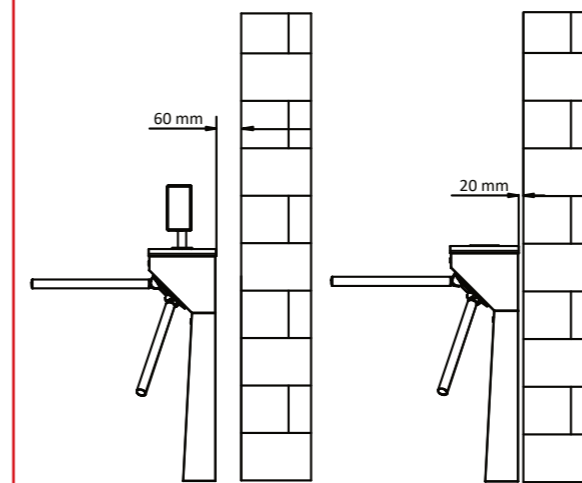
2 Installation

Steps:

1. Prepare installation tools, check the components, and clean the installation base.
2. Seal the bottom of the turnstile to avoid water from entering.
3. Place the pedestals properly on the base, and secure the pedestals with expansion bolts.



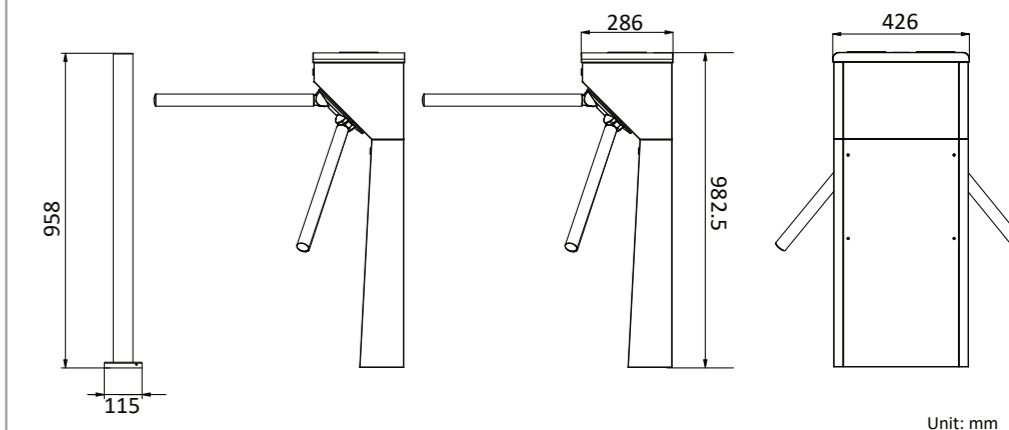
- Make sure the device is installed on flat surface.
- Make sure the device is powered off during installation and other operations.
- The installation tools are put inside the package of the pedestal.
- To prevent stainless steel from rusting due to dirt during construction, it is recommended that the protective film be removed after the installation is completed. There may be residual adhesive at the film cutting position. It is recommended to use WD-40 protective liquid to wipe after tearing the film.
- Avoid immersing the pedestal in water. Under special circumstances, the immersion height should not exceed 150 mm.



- If the installation area is close to the wall, make sure the distance between the pedestal and the wall should be more than 20 mm (60 mm if with face recognition terminals), or you might cause damage to the device or cannot open the pedestal's top panel.
- The device is used indoors.

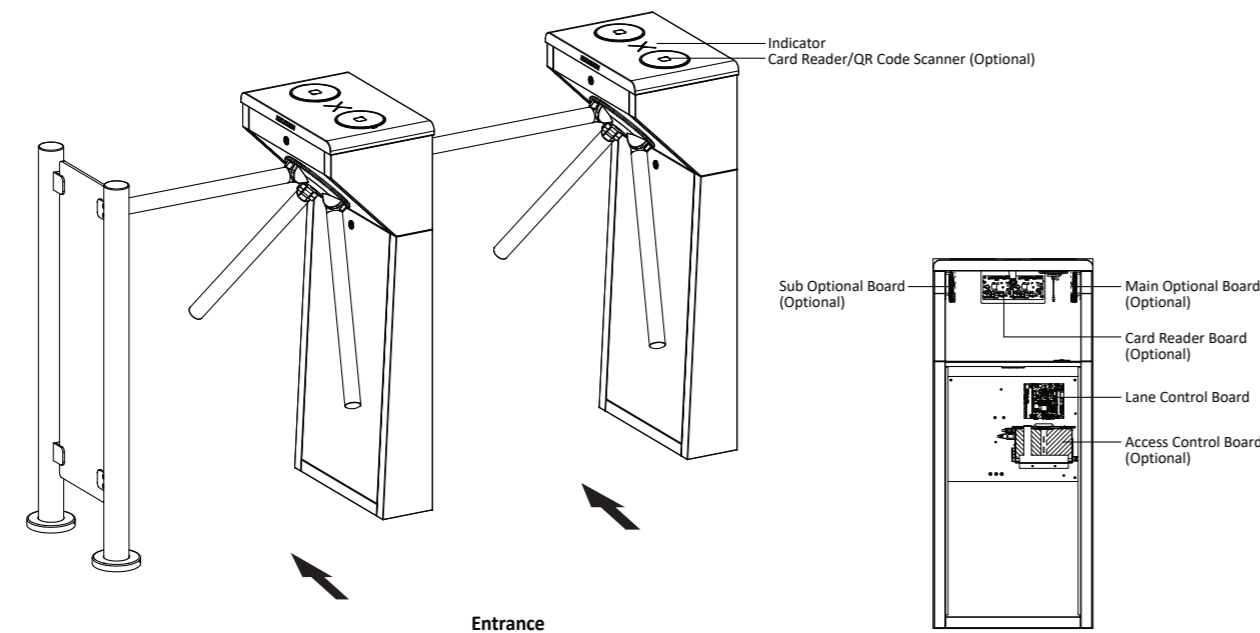
Dimension

Scan the QR code to view the video guide.

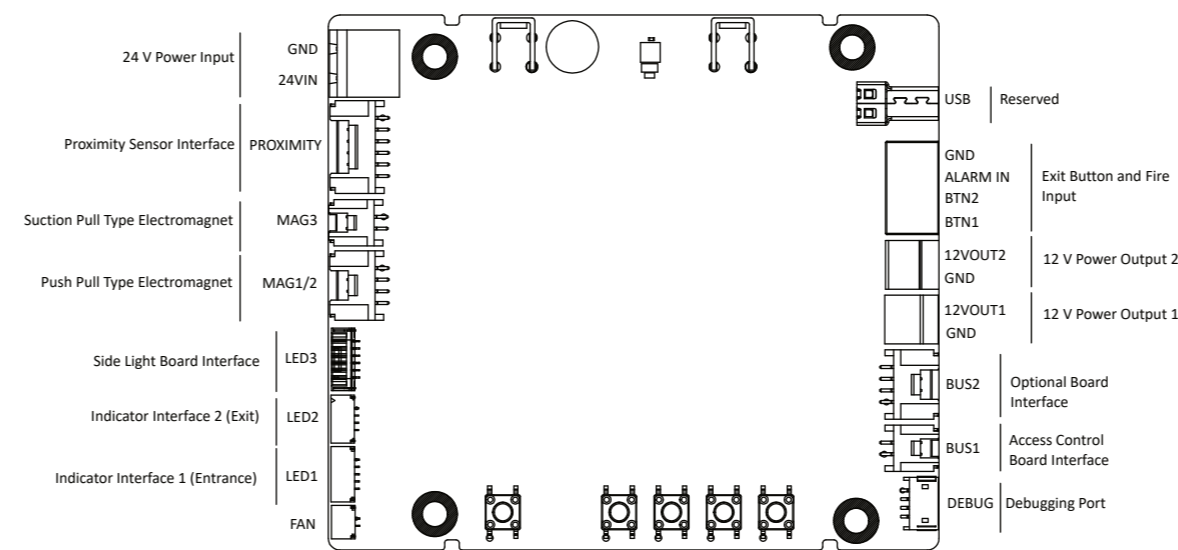


● The diagram is for reference. Dimensions may differ in models.

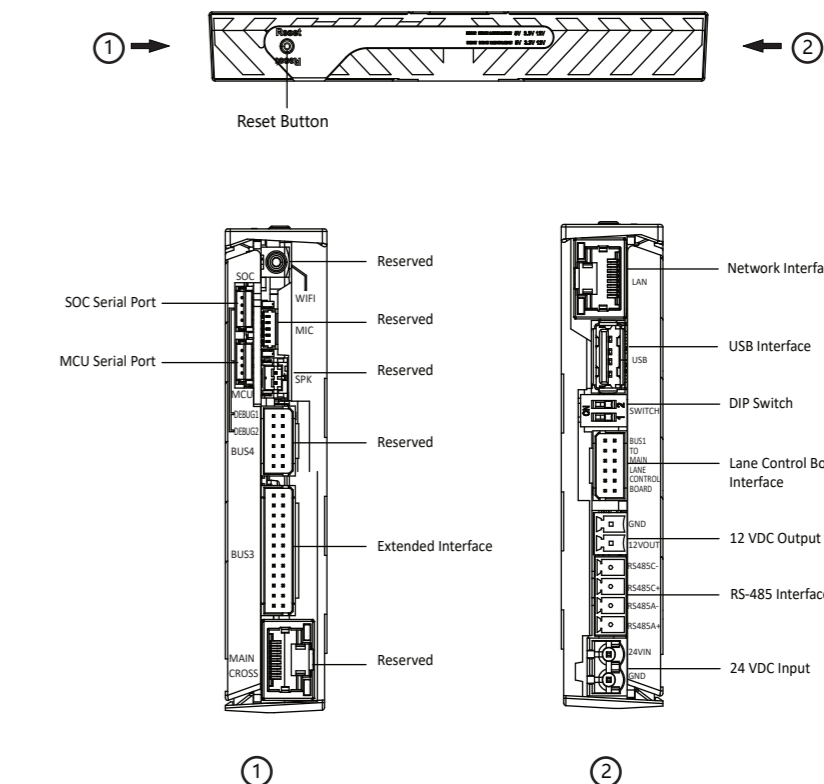
3 Wiring



Lane Control Board



Access Control Board (Optional)



- SOC and MCU serial port are for debugging and maintenance use only.
- Hold the reset button for 5 s, the device will beep for 3 s and start restoring to factory settings.
- RS-485A corresponds to port 5 on web and is for QR code scanner connection at entrance by default; RS-485C corresponds to port 7 on web and is for card reader connection at entrance by default.

©2023 Hangzhou Hikvision Digital Technology Co., Ltd. All rights reserved.

About this Manual
The Manual includes instructions for using and managing the Product. Pictures, charts, images and all other information hereinafter are for description and explanation only. The information contained in the Manual is subject to change, without notice, due to firmware updates or other reasons. Please find the latest version of this Manual at the Hikvision website (<https://www.hikvision.com/>).

Please use this Manual with the guidance and assistance of professionals trained in supporting the Product.

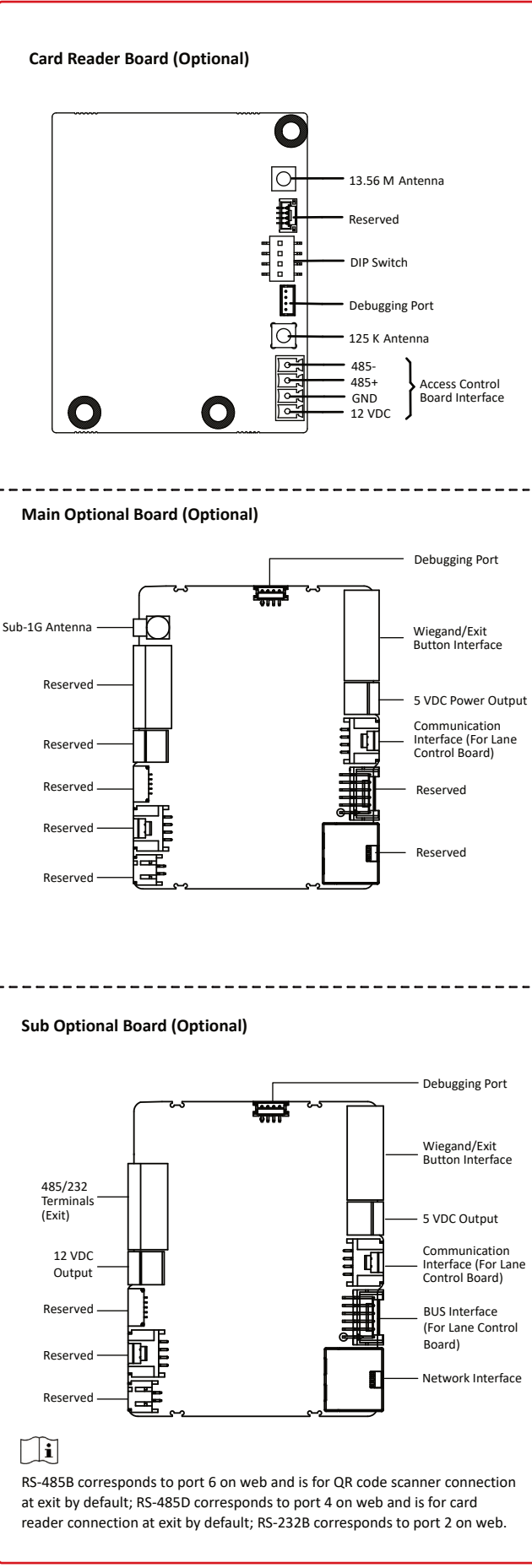
Trademarks
HIKVISION and other Hikvision's trademarks and logos are the properties of Hikvision in various jurisdictions. Other trademarks and logos mentioned are the properties of their respective owners.

Disclaimer
TO THE MAXIMUM EXTENT PERMITTED BY APPLICABLE LAW, THIS MANUAL AND THE PRODUCT DESCRIBED, WITH ITS HARDWARE, SOFTWARE AND FIRMWARE, ARE PROVIDED "AS IS" AND "WITH ALL FAULTS AND ERRORS". HIKVISION MAKES NO WARRANTIES, EXPRESS OR IMPLIED, INCLUDING WITHOUT LIMITATION, MERCHANTABILITY, SATISFACTORY QUALITY, OR FITNESS FOR A PARTICULAR PURPOSE. THE USE OF THE PRODUCT BY YOU IS AT YOUR OWN RISK. IN NO EVENT WILL HIKVISION BE LIABLE TO YOU FOR ANY SPECIAL, CONSEQUENTIAL, INCIDENTAL, OR INDIRECT DAMAGES, INCLUDING, AMONG OTHERS, DAMAGES FOR LOSS OF BUSINESS PROFITS, BUSINESS INTERRUPTION, OR LOSS OF DATA, CORRUPTION OF SYSTEMS, OR LOSS OF DOCUMENTATION, WHETHER BASED ON BREACH OF CONTRACT, TORT (INCLUDING NEGLIGENCE), PRODUCT LIABILITY, OR OTHERWISE, IN CONNECTION WITH THE USE OF THE PRODUCT, EVEN IF HIKVISION HAS BEEN ADVISED OF THE POSSIBILITY OF SUCH DAMAGES OR LOSS.

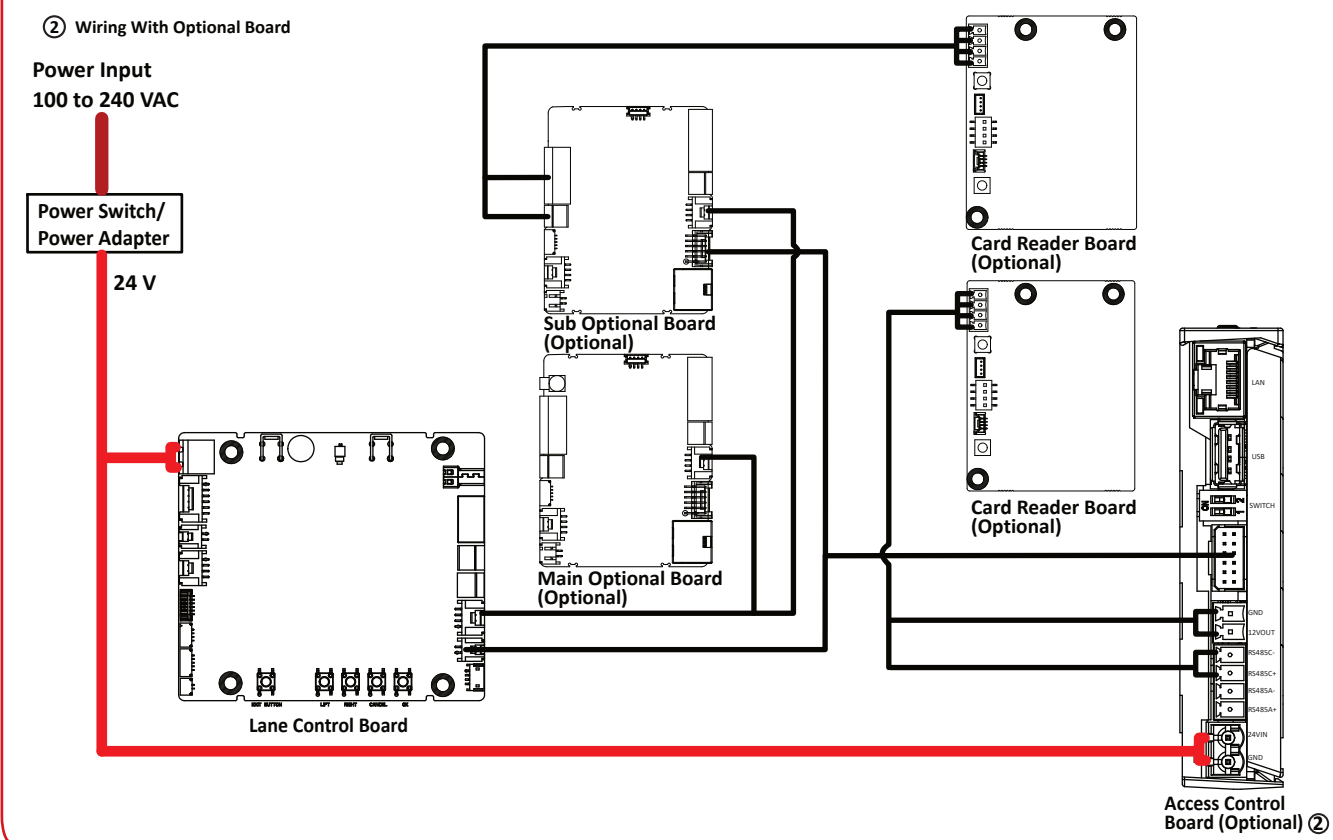
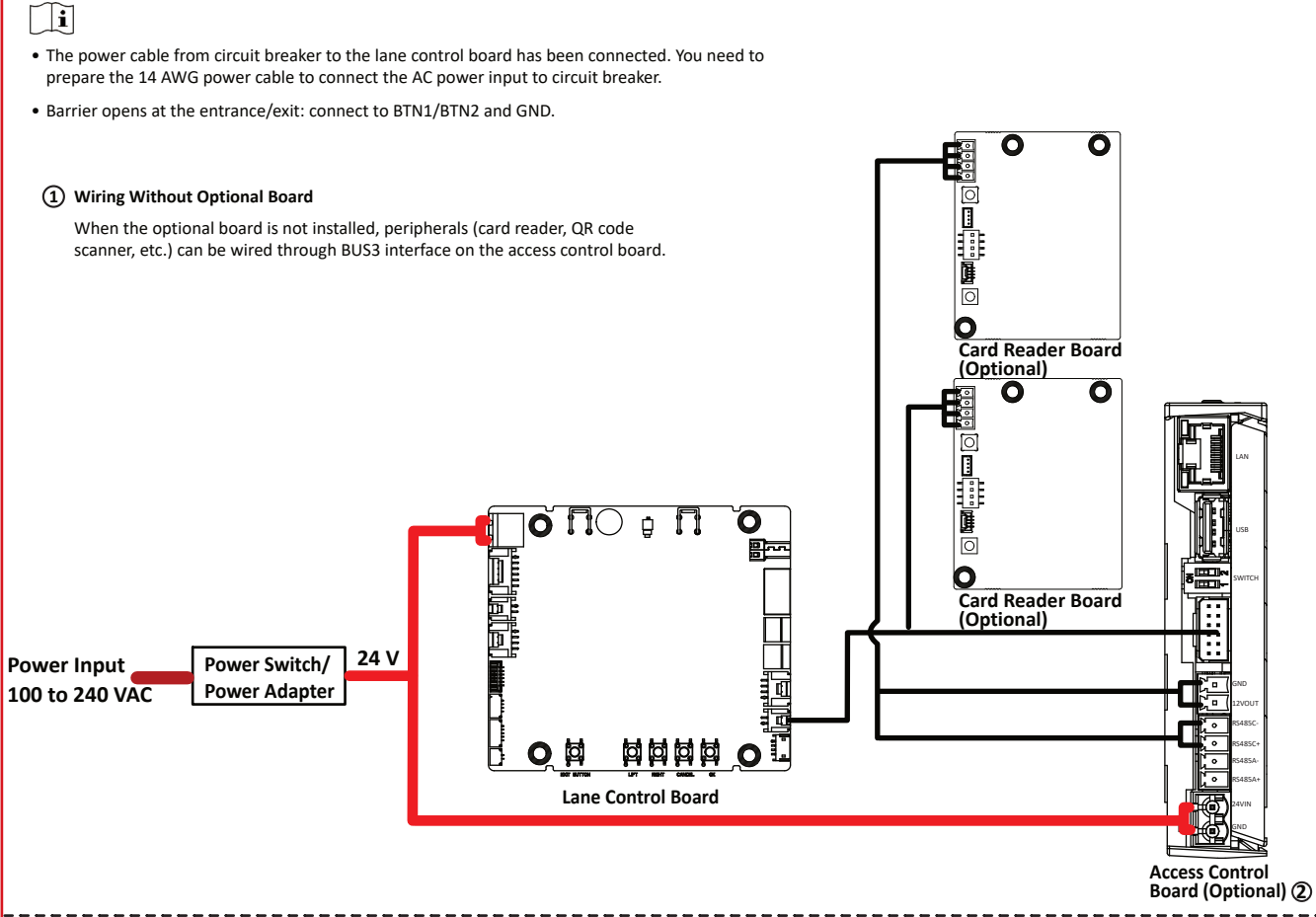
YOU ACKNOWLEDGE THAT THE NATURE OF THE INTERNET PROVIDES FOR INHERENT SECURITY RISKS, AND HIKVISION SHALL NOT TAKE ANY RESPONSIBILITIES FOR ABNORMAL OPERATION, PRIVACY LEAKAGE OR OTHER DAMAGES RESULTING FROM CYBER-ATTACK, HACKER ATTACK, VIRUS INFECTION, OR OTHER INTERNET SECURITY RISKS; HOWEVER, HIKVISION WILL PROVIDE TIMELY TECHNICAL SUPPORT IF REQUIRED.

YOU AGREE TO USE THIS PRODUCT IN COMPLIANCE WITH ALL APPLICABLE LAWS, AND YOU ARE SOLELY RESPONSIBLE FOR ENSURING THAT YOUR USE CONFORMS TO THE APPLICABLE LAW. ESPECIALLY, YOU ARE RESPONSIBLE, FOR USING THIS PRODUCT IN A MANNER THAT DOES NOT INFRINGE ON THE RIGHTS OF THIRD PARTIES, INCLUDING WITHOUT LIMITATION, RIGHTS OF PUBLICITY, INTELLECTUAL PROPERTY RIGHTS, OR DATA PROTECTION AND OTHER PRIVACY RIGHTS. YOU SHALL NOT USE THIS PRODUCT FOR ANY PROHIBITED END-USES, INCLUDING THE DEVELOPMENT OR PRODUCTION OF WEAPONS OF MASS DESTRUCTION, THE DEVELOPMENT OR PRODUCTION OF CHEMICAL OR BIOLOGICAL WEAPONS, ANY ACTIVITIES IN THE CONTEXT RELATED TO ANY NUCLEAR EXPLOSIVE OR UNSAFE NUCLEAR FUEL-CYCLE, OR IN SUPPORT OF HUMAN RIGHTS ABUSES. IN THE EVENT OF ANY CONFLICTS BETWEEN THIS MANUAL AND THE APPLICABLE LAW, THE LATTER PREVAILS.

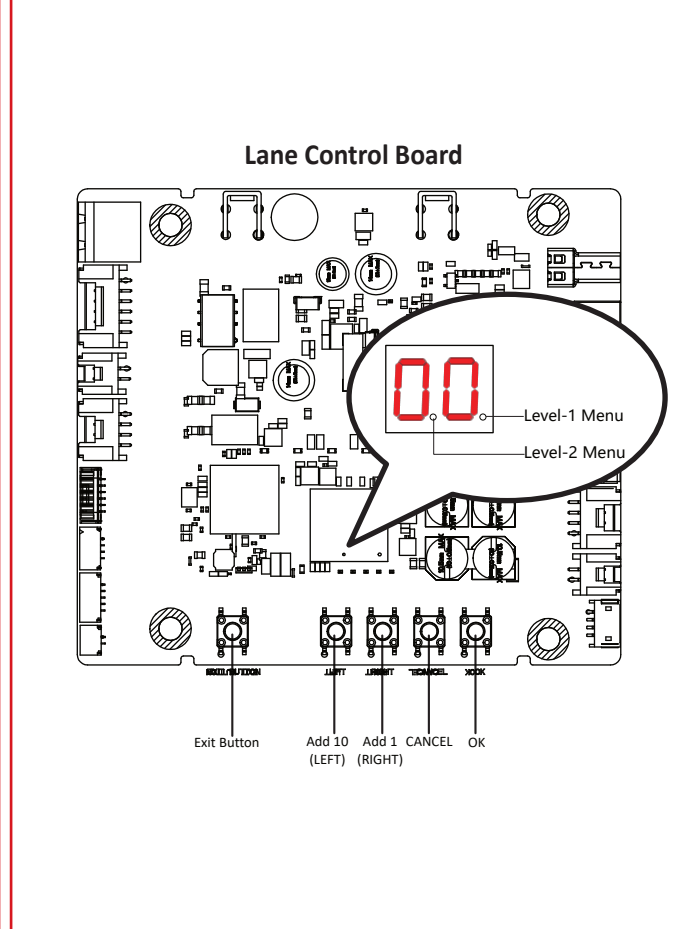
Data Protection
During the use of device, personal data will be collected, stored and processed. To protect data, the development of Hikvision devices incorporates privacy by design principles. For example, for device with facial recognition features, biometrics data is stored in your device with encryption method; for fingerprint device, only fingerprint template will be saved, which is impossible to reconstruct a fingerprint image. As data controller, you are advised to collect, store, process and transfer data in accordance with the applicable data protection laws and regulations, including without limitation, conducting security controls to safeguard personal data, such as, implementing reasonable administrative and physical security controls, conduct periodic reviews and assessments of the effectiveness of your security controls.



4 Wiring Diagram



5 Button Description



The buttons and the display screen are on the lane control board. You can configure device parameters such as passing mode, enter duration, etc.

Exit Button
Single press to open from the entrance.
Double press to open from the exit.

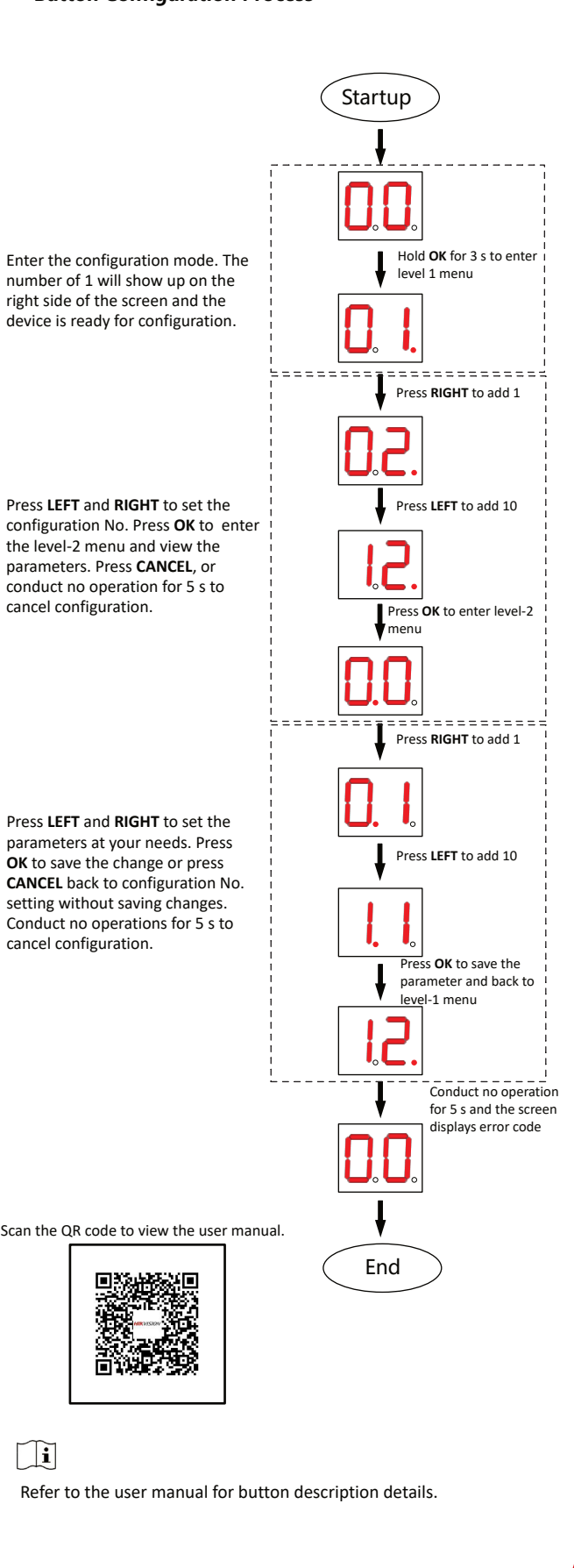
Configuration via Button

- Parameter Display
Parameter is displayed by two digital tubes on the screen.
- LEFT
Press the button to add ten to configuration data.
- RIGHT
Press the button to add one configuration data.
- CANCEL
Return to the level-1 menu, or exit the configuration from the level-1 menu.
- OK
Confirm the data, or enter configuration mode, or enter the submenu.

• Level-1 Menu
If the decimal point on the right is on, it indicates the level-1 menu. The number represents the configuration item number.

• Level-2 Menu
If the decimal point in the middle is on, it indicates the level-2 menu. The number represents the parameters of a configuration item.

6 Quick Start



6 Quick Start

Activation

Ensure the device and PC are on the same network segment.

- Enter the device default IP address (192.0.0.64) and create a new password (admin password) to activate the device.
- Activate device via client software.

We highly recommend you create a strong password of your own choosing (using a minimum of 8 characters, including upper case letters, lower case letters, numbers, and special characters) in order to increase the security of your product. Characters containing admin and nimda are not supported.

Configuration via PC Web

Make sure the device is activated. Enter the device IP address in the address bar of the web browser and press Enter to enter the login page. Enter the device user name and the password. Click Login.

Configuration via Client Software

After downloading the client software, you can conduct device management, group management, person management and access control management.

Regulatory Information

CE
This product and - if applicable - the supplied accessories too are marked with "CE" and comply therefore with the applicable harmonized European standards listed under the RE Directive 2014/53/EU, the EMC Directive 2014/30/EU, the RoHS Directive 2011/65/EU.

2006/66/EC (battery directive): This product contains a battery that cannot be disposed of as unsorted municipal waste in the European Union. See the product documentation for specific battery information. The battery is marked with this symbol, which may include lettering to indicate cadmium (Cd), lead (Pb), or mercury (Hg). For proper recycling, return the battery to your supplier or to a designated collection point. For more information see: www.recyclethis.info

2012/19/EU (WEEE directive): Products marked with this symbol cannot be disposed of as unsorted municipal waste in the European Union. For proper recycling, return this product to your local supplier upon the purchase of equivalent new equipment, or dispose of it at designated collection points. For more information see: www.recyclethis.info

Safety Instructions

Warning

- In the use of the product, you must be in strict compliance with the electrical safety regulations of the nation and region.
- Do not connect several devices to one power adapter as adapter overload may cause over-heat or fire hazard.
- If smoke, odors or noise rise from the device, turn off the power at once and unplug the power cable, and then please contact the service center.
- Keep body parts away from fan blades. Disconnect the power source during servicing.
- Keep body parts away from motors. Disconnect the power source during servicing.
- The equipment must be connected to an earthed mains socket-outlet.
- Do not touch the bare metal contacts of the inlets after the circuit breaker is turned off. Electricity still exists.
- 1. This equipment is not suitable for use in locations where children are likely to be present.
- 2. CAUTION: Risk of explosion if the battery is replaced by an incorrect type.
- 3. Improper replacement of the battery with an incorrect type may defeat a safeguard (for example, in the case of some lithium battery types).
- 4. Do not dispose of the battery into fire or a hot oven, or mechanically crush or cut the battery, which may result in an explosion.
- 5. Do not leave the battery in an extremely high temperature surrounding environment, which may result in an explosion or the leakage of flammable liquid or gas.
- 6. Do not subject the battery to extremely low air pressure, which may result in an explosion or the leakage of flammable liquid or gas.
- 7. Dispose of used batteries according to the instructions.

Caution

- Do not drop the device or subject it to physical shock, and do not expose it to high electromagnetic radiation. Avoid the equipment installation on vibrations surface or places subject to shock (ignorance can cause equipment damage).
- Do not place the device in extremely hot (refer to the specification of the device for the detailed operating temperature), cold, dusty or damp locations, and do not expose it to high electromagnetic radiation.
- Exposing the equipment to direct sun light, low ventilation or heat source such as heater or radiator is forbidden (ignorance can cause fire danger). The device cover for indoor use shall be kept from rain and moisture.
- Exposing the equipment to direct sun light, low ventilation or heat source such as heater or radiator is forbidden (ignorance can cause fire danger).
- Please use a soft and dry cloth when clean inside and outside surfaces of the device cover, do not use alkaline detergents.
- Biometric recognition products are not completely applicable to anti-spoofing environments. If you require a higher security level, use multiple authentication modes.
- No naked flame sources, such as lighted candles, should be placed on the equipment.
- This equipment is suitable for mounting on concrete or other non-combustible surface only.
- Install the equipment according to the instructions in this manual.
To prevent injury, this equipment must be securely attached to the floor/wall in accordance with the installation instructions.
- The equipment has been designed, when required, modified for connection to an IT power distribution system.
- The serial port of the equipment is used for debugging only.
- Hot parts! Do not touch. Burned fingers when handling the parts. Wait one-half hour after switching off before handling the parts.