



# Mobile Network Camera

Installation Guide

# Legal Information

©2022 Hangzhou Hikvision Digital Technology Co., Ltd. All rights reserved.

## About this Manual

The Manual includes instructions for using and managing the Product. Pictures, charts, images and all other information hereinafter are for description and explanation only. The information contained in the Manual is subject to change, without notice, due to firmware updates or other reasons. Please find the latest version of this Manual at the Hikvision website (<https://www.hikvision.com/>).

Please use this Manual with the guidance and assistance of professionals trained in supporting the Product.

## Trademarks

**HIKVISION** and other Hikvision's trademarks and logos are the properties of Hikvision in various jurisdictions. Other trademarks and logos mentioned are the properties of their respective owners.

## Disclaimer

TO THE MAXIMUM EXTENT PERMITTED BY APPLICABLE LAW, THIS MANUAL AND THE PRODUCT DESCRIBED, WITH ITS HARDWARE, SOFTWARE AND FIRMWARE, ARE PROVIDED "AS IS" AND "WITH ALL FAULTS AND ERRORS". HIKVISION MAKES NO WARRANTIES, EXPRESS OR IMPLIED, INCLUDING WITHOUT LIMITATION, MERCHANTABILITY, SATISFACTORY QUALITY, OR FITNESS FOR A PARTICULAR PURPOSE. THE USE OF THE PRODUCT BY YOU IS AT YOUR OWN RISK. IN NO EVENT WILL HIKVISION BE LIABLE TO YOU FOR ANY SPECIAL, CONSEQUENTIAL, INCIDENTAL, OR INDIRECT DAMAGES, INCLUDING, AMONG OTHERS, DAMAGES FOR LOSS OF BUSINESS PROFITS, BUSINESS INTERRUPTION, OR LOSS OF DATA, CORRUPTION OF SYSTEMS, OR LOSS OF DOCUMENTATION, WHETHER BASED ON BREACH OF CONTRACT, TORT (INCLUDING NEGLIGENCE), PRODUCT LIABILITY, OR OTHERWISE, IN CONNECTION WITH THE USE OF THE PRODUCT, EVEN IF HIKVISION HAS BEEN ADVISED OF THE POSSIBILITY OF SUCH DAMAGES OR LOSS.

YOU ACKNOWLEDGE THAT THE NATURE OF THE INTERNET PROVIDES FOR INHERENT SECURITY RISKS, AND HIKVISION SHALL NOT TAKE ANY RESPONSIBILITIES FOR ABNORMAL OPERATION, PRIVACY LEAKAGE OR OTHER DAMAGES RESULTING FROM CYBER-ATTACK, HACKER ATTACK, VIRUS INFECTION, OR OTHER INTERNET SECURITY RISKS; HOWEVER, HIKVISION WILL PROVIDE TIMELY TECHNICAL SUPPORT IF REQUIRED.

YOU AGREE TO USE THIS PRODUCT IN COMPLIANCE WITH ALL APPLICABLE LAWS, AND YOU ARE SOLELY RESPONSIBLE FOR ENSURING THAT YOUR USE CONFORMS TO THE APPLICABLE LAW. ESPECIALLY, YOU ARE RESPONSIBLE, FOR USING THIS PRODUCT IN A MANNER THAT DOES NOT INFRINGE ON THE RIGHTS OF THIRD PARTIES, INCLUDING WITHOUT LIMITATION, RIGHTS OF PUBLICITY, INTELLECTUAL PROPERTY RIGHTS, OR DATA PROTECTION AND OTHER PRIVACY RIGHTS. YOU SHALL NOT USE THIS PRODUCT FOR ANY PROHIBITED END-USES, INCLUDING THE DEVELOPMENT OR PRODUCTION OF WEAPONS OF MASS DESTRUCTION, THE DEVELOPMENT OR PRODUCTION OF CHEMICAL OR BIOLOGICAL WEAPONS, ANY ACTIVITIES IN THE CONTEXT RELATED TO ANY NUCLEAR EXPLOSIVE OR UNSAFE NUCLEAR FUEL-CYCLE, OR IN SUPPORT OF HUMAN RIGHTS ABUSES.

IN THE EVENT OF ANY CONFLICTS BETWEEN THIS MANUAL AND THE APPLICABLE LAW, THE LATTER PREVAILS.

## Regulatory Information

### FCC Information

Please take attention that changes or modification not expressly approved by the party responsible for compliance could void the user's authority to operate the equipment.

#### FCC Compliance


This equipment has been tested and found to comply with the limits for a Class A digital device, pursuant to part 15 of the FCC Rules. These limits are designed to provide reasonable protection against harmful interference when the equipment is operated in a commercial environment. This equipment generates, uses, and can radiate radio frequency energy and, if not installed and used in accordance with the instruction manual, may cause harmful interference to radio communications. Operation of this equipment in a residential area is likely to cause harmful interference in which case the user will be required to correct the interference at his own expense.


#### FCC Conditions


This device complies with part 15 of the FCC Rules. Operation is subject to the following two conditions:

1. This device may not cause harmful interference.
2. This device must accept any interference received, including interference that may cause undesired operation.

### EU Conformity Statement

 This product and - if applicable - the supplied accessories too are marked with "CE" and comply therefore with the applicable harmonized European standards listed under the EMC Directive 2014/30/EU, the LVD Directive 2014/35/EU, the RoHS Directive 2011/65/EU.

 2012/19/EU (WEEE directive): Products marked with this symbol cannot be disposed of as unsorted municipal waste in the European Union. For proper recycling, return this product to your local supplier upon the purchase of equivalent new equipment, or dispose of it at designated collection points. For more information see: [www.recyclethis.info](http://www.recyclethis.info)




 2006/66/EC (battery directive): This product contains a battery that cannot be disposed of as unsorted municipal waste in the European Union. See the product documentation for specific battery information. The battery is marked with this symbol, which may include lettering to indicate cadmium (Cd), lead (Pb), or mercury (Hg). For proper recycling, return the battery to your supplier or to a designated collection point. For more information see: [www.recyclethis.info](http://www.recyclethis.info)

### Industry Canada ICES-003 Compliance

This device meets the CAN ICES-3 (A)/NMB-3(A) standards requirements.

## Symbol Conventions

The symbols that may be found in this document are defined as follows.

Symbol	Description
 <b>Note</b>	Provides additional information to emphasize or supplement important points of the main text.
 <b>Caution</b>	Indicates a potentially hazardous situation, which if not avoided, could result in equipment damage, data loss, performance degradation, or unexpected results.
 <b>Danger</b>	Indicates a hazard with a high level of risk, which if not avoided, will result in death or serious injury.

## Safety Instructions

- Proper configuration of all passwords and other security settings is the responsibility of the installer and/or end-user.
- In the use of the product, you must be in strict compliance with the electrical safety regulations of the nation and region. Please refer to technical specifications for detailed information.
- Input voltage should meet limited power source or PS2 requirements according to the IEC60950-1 or IEC 62368-1 standard. Please refer to technical specifications for detailed information.
- Do not connect several devices to one power adapter as adapter overload may cause overheating or a fire hazard.
- Please make sure that the plug is firmly connected to the power socket.
- If smoke, odor or noise rise from the device, turn off the power at once and unplug the power cable, and then please contact the service center.

# TABLE OF CONTENTS

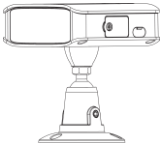
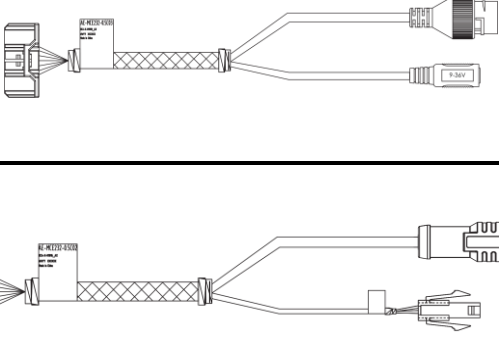
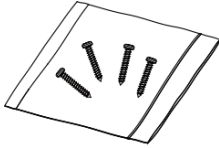

<b>Chapter 1 Usage Instructions</b> .....	<b>5</b>
1.1 Packing List.....	5
1.2 Left Panel .....	6
1.3 Right Panel .....	6
1.4 Back Panel .....	7
1.5 Cable Description .....	8
<b>Chapter 2 Installation</b> .....	<b>9</b>
2.1 Preparations.....	9
2.1.1 Installation Environment.....	9
2.1.2 Installation Tools.....	9
2.1.3 Installation Position Requirements.....	9
2.2 Camera Installation.....	9
2.2.1 Install the TF Card .....	9
2.2.2 Adjust the Camera Angle .....	10
2.2.3 Fix the Camera .....	11

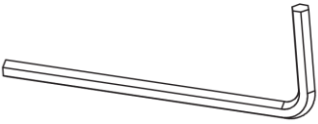
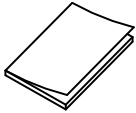
# Chapter 1 Usage Instructions

## 1.1 Packing List

Please check the package of the camera for damages. After opening the package, please check the whether all the items are complete according to the table shown bellow. When all items are complete, the camera is ready for installation.

Table 1-1 Packing List

No.	Picture	Name	Number
1		camera	1
2		Cables (choose one of them)	1
3		PA4.2X19 Screw	1
4		T10T20 Box Wrench	1

5		M3 Hexagon Wrench	1
6		QUG and QSG	2

## 1.2 Left Panel

The left panel and its interfaces are shown in the follows.

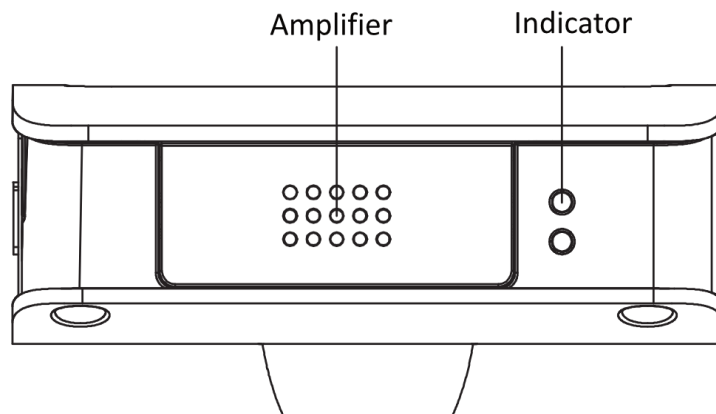


Figure 1-1 Left Panel

Table 1-2 Left Panel Interface

Interface Name	Description
Indicator	Power light being red steady, the camera power is normal.
Amplifier	Send alarm and the announcement from the platform

## 1.3 Right Panel

The right panel and its interfaces are shown in the follows.

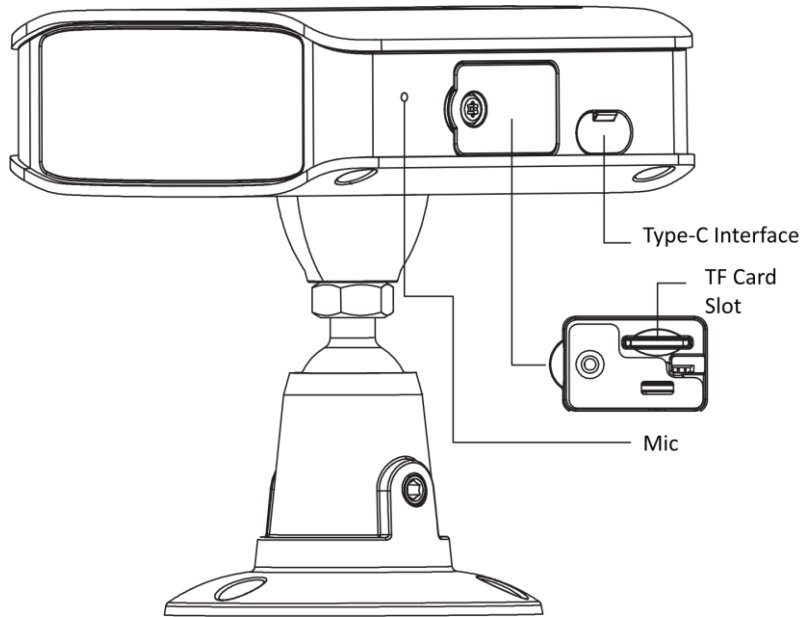


Figure 1-2 Right Panel

Table 1-3 Right Panel Interface

Interface Name	Description
Mic	Connected to the back end as an intercom device
TF Card Slot	Local storage
Type-C Interface	For professionals to calibrate the camera

## 1.4 Back Panel

The back panel and its interfaces are shown in the follows. The I/O interface is for power and network connection.

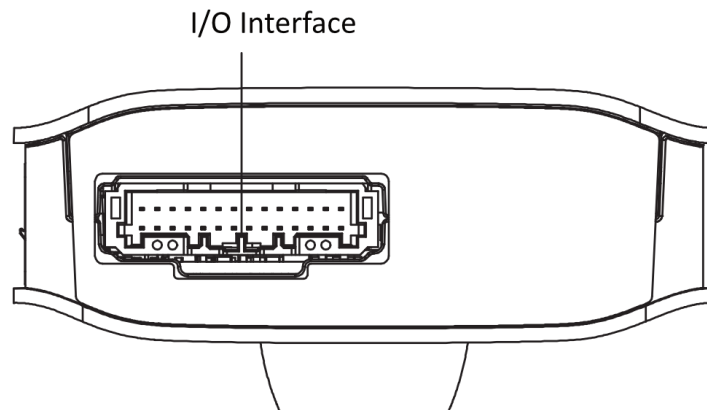


Figure 1-3 Left Panel



## 1.5 Cable Description

Two types of cables are available for the camera, as shown in the follows. Please refer to the actual device.

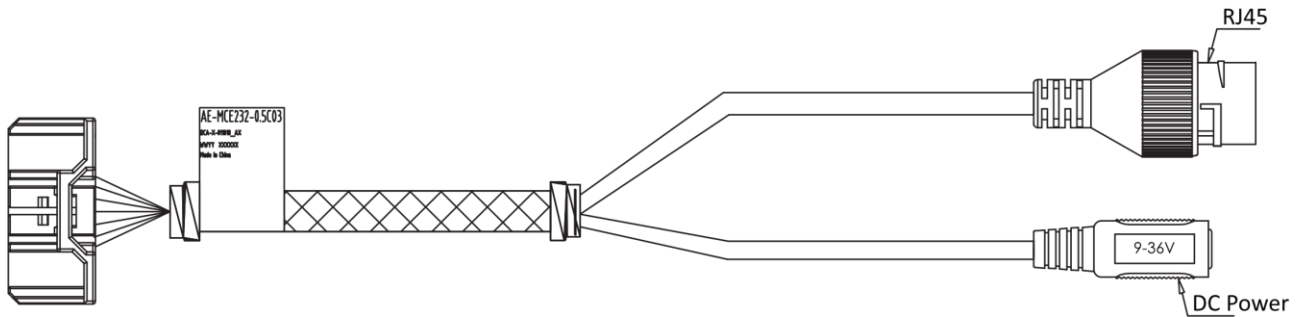


Figure 1-4 Optional Cable Type I

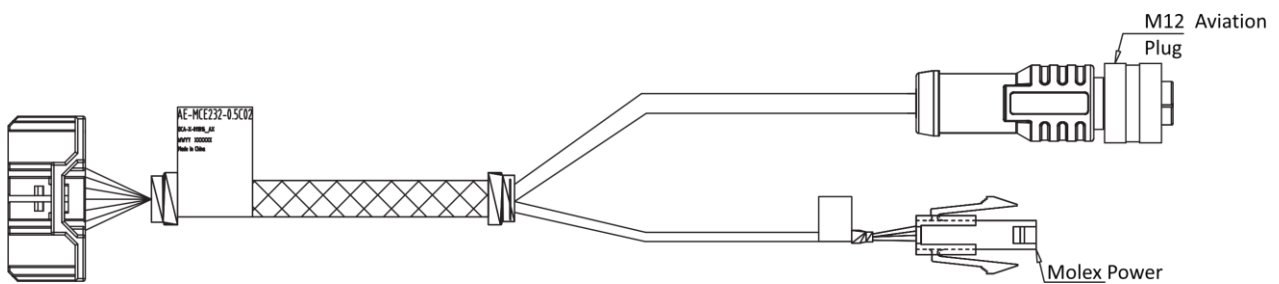


Figure 1-5 Optional Cable Type II

Power Interface: the camera support 9-36 V power supply. Type I is DC power interface and Type II is Molex interface.

Network Interface: Type I is RJ45 interface and Type II is 4-core aviation plug interface.

## Chapter 2 Installation

### 2.1 Preparations

#### 2.1.1 Installation Environment

---



When unpacking and wiring the camera, make sure that the power is off.

---

Before installation, first survey and inspect the installation site and the wires to secure the safety and steadiness of the power and wire.

- Avoid heat source and install the camera where the heat dissipation is good.
- Install the camera horizontally.

#### 2.1.2 Installation Tools

Prepare anti-static gloves, cross screwdriver, M3 hexagon wrench and T10T20 box wrench.

#### 2.1.3 Installation Position Requirements

Install the camera at the position above the dashboard, in front of the face of the driver and make sure that the camera will not block the vision of the driver.

Make sure that the steering wheel will not block the camera capturing the shoulder and head of the driver.

### 2.2 Camera Installation

#### 2.2.1 Install the TF Card

The TF card is for local storage of the recording, capture and alarm.

Prerequisite: TF card. (Optional)

Step 1 Use the T10 end of the T10T20 box wrench to loose the screw and open the cover of TF card slot.

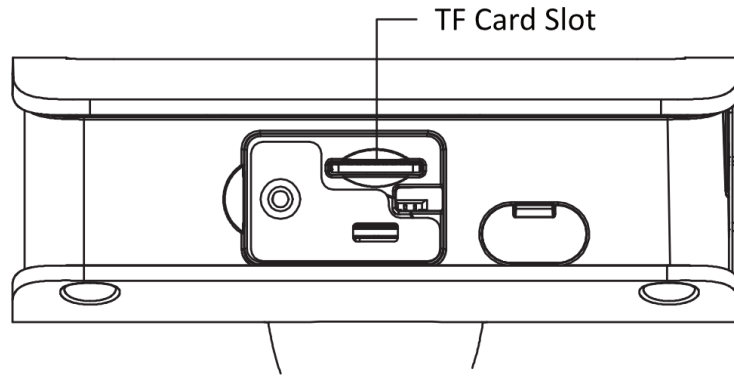


Figure 2-1 TF Card Slot

Step 2 Insert the TF card slowly into the slot until hearing the “tick” sound.

Step 3 Restore the TF card cover to complete the installation.

## 2.2.2 Adjust the Camera Angle

Step 1 Fix the camera base tentatively and open the **Preview** function in the browser.

Step 2 Pre-position: aim the camera at the driver’s seat and adjust the camera left and right, until the middle of the seat appears in the middle of the image.

Step 3 Get the drivers seated and adjust the camera up and down, until the shoulder and head of the driver are shown properly in the image. If not possible, longer the distance between the camera and the driver.

Step 4 Tighten the screws with M3 hexagon wrench.

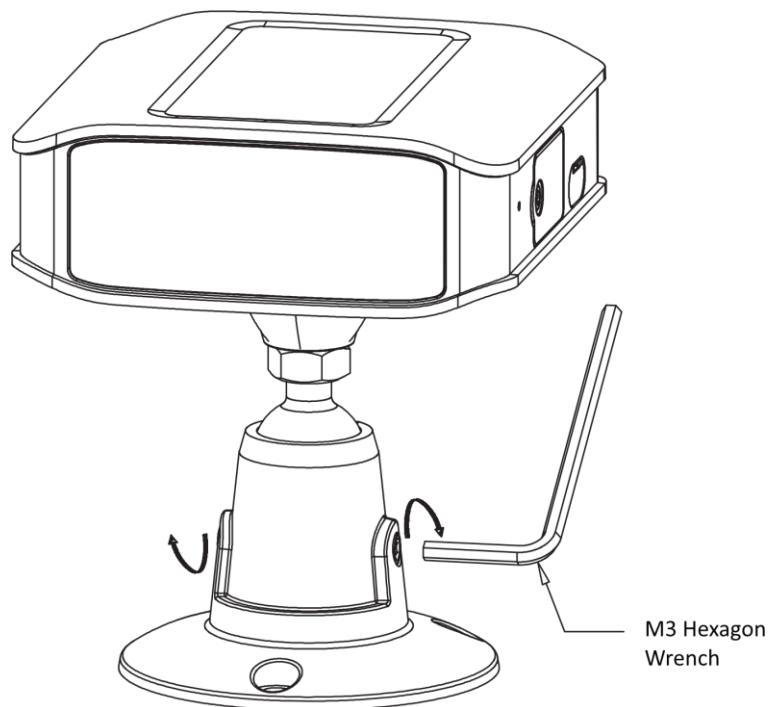


Figure 2-2 Fix the Angle of the Camera

## 2.2.3 Fix the Camera

Step 1 Drill holes in the chosen position and align the camera with the holes.

Step 2 Tighten the screws and finally make sure that the image of camera meet the following requirements:

- The middle of the seat appear in the middle of the image.
- The image is clear and bright appropriately.
- The image is not blocked.

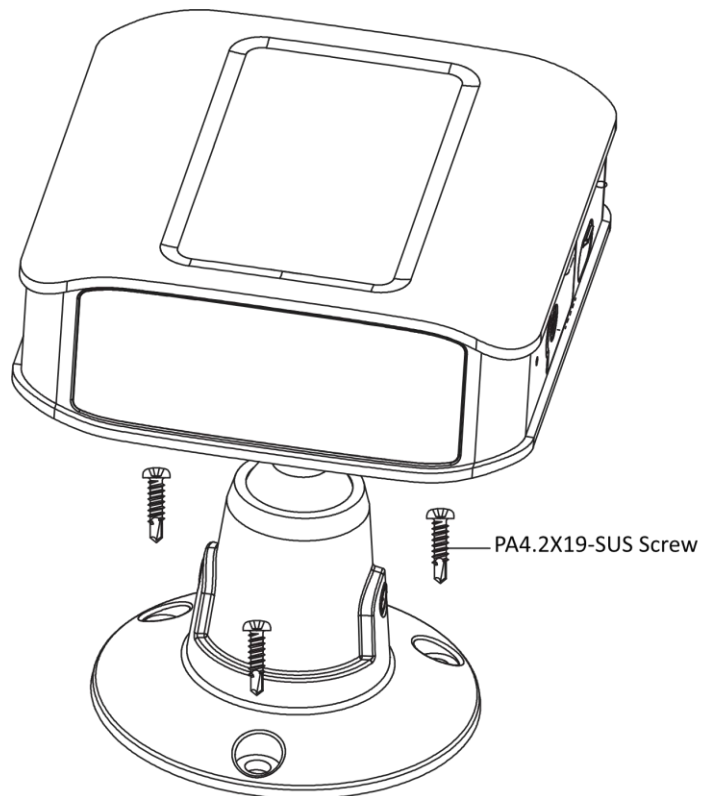


Figure 2-3 Fix the Camera



See Far, Go Further