

DS-2XM6122G0-I(D)(M)/ND)(AE)



- High quality imaging with 2 MP resolution
- Clear imaging against strong back light due to 120 dB true WDR technology
- Water and dust resistant (IP66) and vandal proof (IK08)
- Advanced streaming technology that enables smooth live view and data self-correcting in poor network
- 3D DNR technology delivers clean and sharp images



▪ Specification

Selection Parameter	
Min. Illumination	0.01 Lux @(F1.2, AGC ON), 0 Lux with IR
Local Storage	128 GB
Protection Level	IP66, IK8
Wi-Fi Support	No
Case Type	Dome
Resolution	2MP
Lens Type	Fixed Lens
Video Compression	H.265,H.264
Camera	
Image Sensor	1/2.8" Progressive Scan CMOS
Min. Illumination	0.01 Lux @(F1.2, AGC ON), 0 Lux with IR
Shutter Speed	1/3 s to 1/100,000 s
Slow Shutter	No
Wide Dynamic Range	120 dB
Day & Night	IR Cut Filter
Angle Adjustment	Pan: -30° to 30°, tilt: 0° to 75°, rotate: 0° to 355°
Lens	
Focal Length & FOV	2.8 mm, horizontal FOV 104°, vertical FOV 55°, diagonal FOV 120°, 4 mm: horizontal FOV 77°, vertical FOV 42°, diagonal FOV 91°, 6 mm: horizontal FOV 50°, vertical FOV 27°, diagonal FOV 59°
Lens Mount	M12
Aperture	F1.6
illuminator	
IR Range	Up to 10m
Wavelength	850nm
Smart Supplement Light	Yes
Video	
Max. Resolution	1920 × 1080
Main Stream	50Hz: 25fps (1920 × 1080, 1280 × 960, 1280 × 720) 60Hz: 30fps (1920 × 1080, 1280 × 960, 1280 × 720)
Sub-Stream	50Hz: 25fps (704 × 576, 640 × 480, 352 × 288, 320 × 240) 60Hz: 30fps (704 × 576, 640 × 480, 352 × 288, 320 × 240)
Third Stream	no
Video Compression	Main Stream: H.265/H.264 Sub-Stream: H.265/H.264
Video Bit Rate	256 Kbps to 8 Mbps
H.264 Type	BaseLine Profile/Main Profile/High Profile
H.265 Type	Main Profile
Scalable Video Coding (SVC)	H.264 and H.265 encoding
Audio	
Audio Compression	G.711/G.726/AAC
Audio Bit Rate	64Kbps

Audio Sampling Rate	16 kHz
Audio Type	Mono sound
Environment Noise Filtering	Yes
Network	
Protocols	TCP/IP, ICMP, HTTP, DHCP, DNS, RTP, RTSP, RTCP, NTP, SNMP, QoS, FTP, SMTP, HTTPS
Simultaneous Live View	Up to 8 channels
API	ONVIF (PROFILE S, PROFILE G), ISAPI, SDK
User/Host	Up to 32 users,3 levels: Administrator, Operator and User
Network Storage	microSD/SDHC/SDXC card (up to 128 GB),
Web Browser	Plug-in required live view: IE10;
Image	
Image Settings	saturation, brightness, contrast, sharpness, gain, white balance adjustable by client software or web browser
Day/Night Switch	Day/Night/Auto/Schedule
Image Enhancement	BLC, 3D DNR,
SNR	> 50dB
DNR	3D DNR
Interface	
Ethernet Interface	-ID: 1 RJ45 10M/100M self-adaptive Ethernet port -IM/ND: 1 four-core M12 aviation plug
On-Board Storage	Built-in micro SD/SDHC/SDXC slot, up to 128 GB
Audio	1 built-in mic, mono sound
Alarm	no
Video Output	no
Reset Key	Yes
Event	
Basic Event	Motion detection, video tampering alarm
Smart Event	no
Linkage	Upload to FTP, notify monitoring center, send email, trigger recording
General	
Camera Material	Metal
Camera Dimension	Camera: 99.3 × 96.7 × 52.8 mm (3.9" × 3.8" × 2.1"); With package: 252 × 160 × 95mm (9.9" × 6.3" × 3.7")
Camera Weight	Camera: Approx. 430 g (0.9 lb.) With package: 780 g (1.7 lb.)
Startup and Operating Conditions	-30 °C to 75 °C (-22 °F to 167°F), humidity less than 95% or less (non-condensing)
General Function	Anti-flicker, heartbeat, mirror,
Power Supply	-ID: 9-36V& PoE (802.3af, 36 V to 57 V) -IM/ND: PoE (802.3af, 36 V to 57 V)
Power Interface	-ID: Ø5.5 mm coaxial power plug, DC power supply, or PoE power supply -IM/ND: four-core M12 aviation plug, PoE power supply
Power Consumption	5W max

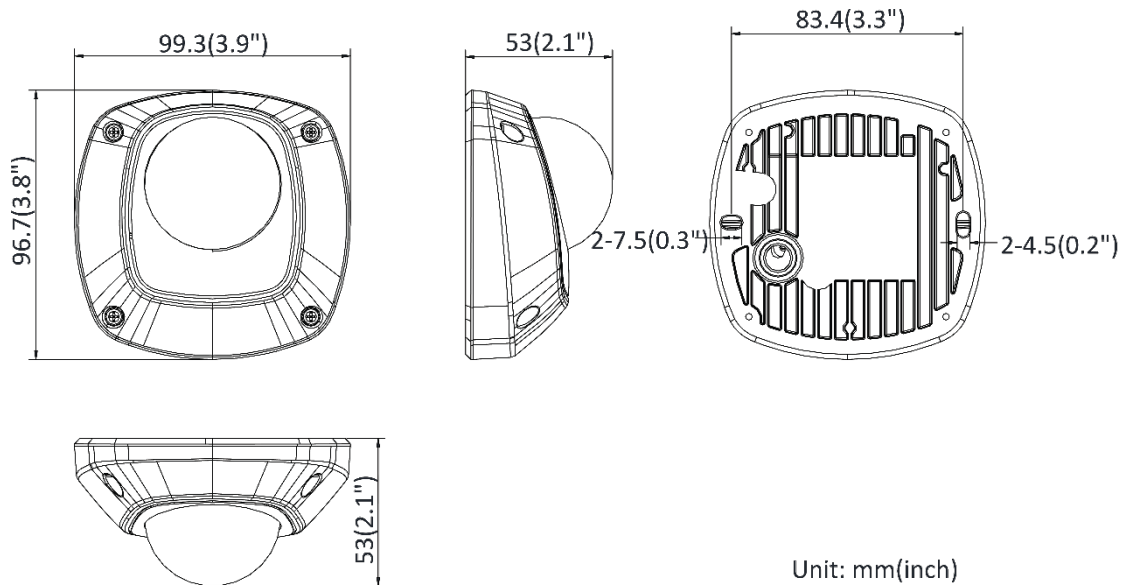
Approval

Class	Class B
EMC	FCC (47 CFR Part 15, Subpart B); CE-EMC (EN 55032: 2015, EN 61000-3-2: 2014, EN 61000-3-3: 2013, EN 50130-4: 2011 +A1: 2014);
Safety	UL (UL 60950-1); CB (IEC 60950-1:2005 + Am 1:2009 + Am 2:2013); CE-LVD (EN 60950-1:2005 + Am 1:2009 + Am 2:2013);
Environment	CE-RoHS (2011/65/EU); WEEE (2012/19/EU); Reach (Regulation (EC) No 1907/2006)
Protection	IP66 (IEC 60529-2013), IK08(IEC 62262:2002)
Automotive and Railway	EN50155-2017(EN 50155:2017, EN 50121-3-2:2016, IEC 60068-2-1:2007, IEC 60068-2-2:2007, IEC 60068-2-30:2005, IEC 61373:2010); EN45545 (EN 45545-2:2013+A1:2015); E-MARK (ECE R10)

Available Model

DS-2XM6122G0-IM/ND(6mm)(AE), DS-2XM6122G0-ID(6mm)(AE), DS-2XM6122G0-IM/ND(4mm)(AE), DS-2XM6122G0-ID(4mm)(AE), DS-2XM6122G0-IM/ND(2.8mm)(AE), DS-2XM6122G0-ID(2.8mm)(AE)

Dimension



Distributed by

**HIKVISION®****Headquarters**

No.555 Qianmo Road, Binjiang District,
Hangzhou 310051, China
T +86-571-8807-5998
overseasbusiness@hikvision.com

Hikvision USA
T +1-909-895-0400
sales.usa@hikvision.com

Hikvision Australia
T +61-2-8599-4233
salesau@hikvision.com

Hikvision India
T +91-22-28469900
sales@pramahikvision.com

Hikvision Canada
T +1-866-200-6690
sales.canada@hikvision.com

Hikvision Thailand
T +662-275-9949
sales.thailand@hikvision.com

Hikvision Europe
T +31-23-5542770
sales.eu@hikvision.com

Hikvision Italy
T +39-0438-6902
info.it@hikvision.com

Hikvision Brazil
T +55 11 3318-0050
Latam.support@hikvision.com

Hikvision Turkey
T +90 (216)521 7070- 7074
sales.tr@hikvision.com

Hikvision Malaysia
T +601-7652-2413
sales.my@hikvision.com

Hikvision UK & Ireland
T +01628-902140
sales.uk@hikvision.com

Hikvision South Africa
Tel: +27 (10) 0351172
sale.africa@hikvision.com

Hikvision France
T +33(0)1-85-330-450
info.fr@hikvision.com

Hikvision Kazakhstan
T +7-727-9730667
nikia.panfilov@hikvision.ru

Hikvision Vietnam
T +84-974270888
sales.vt@hikvision.com

Hikvision UAE
T +971-4-4432090
salesme@hikvision.com

Hikvision Singapore
T +65-6684-4718
sg@hikvision.com

Hikvision Spain
T +34-91-737-16-55
info.es@hikvision.com

Hikvision Tashkent
T +99-87-1238-9438
uzb@hikvision.ru

Hikvision Hong Kong
T +852-2151-1761
info.hk@hikvision.com

Hikvision Russia
T +7-495-669-67-99
saleru@hikvision.com

Hikvision Korea
T +82-(0)31-731-8817
sales.korea@hikvision.com

Hikvision Poland
T +48-22-460-01-50
info.pl@hikvision.com

Hikvision Indonesia
T +62-21-2933759
Sales.Indonesia@hikvision.com

Hikvision Colombia
sales.colombia@hikvision.com