

DS-PM-MR

MBUS Repeater

DS-PM-MR works with MBUS security control panel. It can extend the distance of MBUS and amplify the signal to improve communication quality.

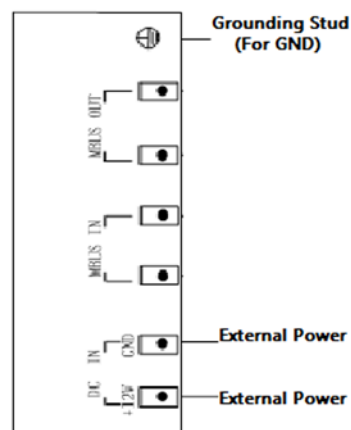
Dimensions (L x W x H): 74mm x 135mm x 28mm



MAIN FEATURES

- Power off both the module and control panel and set the DIP address on the module before installation.
- DIP address: 1~253. (Different expanders can't use same address)
- MBUS non-polarity

PHYSICAL INTERFACE



SPECIFICATIONS

Module Parameters	MBUS Repeater can work with multiplexing MBUS extension module	Single Input Extension Module. Dual-Input Extension Module. 8-Input Extension Module. 4-ch Output Extension Module. Single Output Extension Module. 32-ch Output Extension Module.
	Voltage	12 VDC
	Current	Maximum 1.5A
	Working Temperature	-10°C to +55°C
	Working Humidity	10% to 90%
Cable Parameters	Cable maximum resistance	Rated value 29.04Ω, +20°C
	Cable transmission distance and cross-sectional area	Transmission Distance:2400m , Cross-sectional area: 1.5mm ² Transmission Distance:1600m, Cross-sectional area: 1.0mm ²