

Pole Panic Alarm Station
Quick Start Guide

ENGLISH

1 Appearance

1. Alarm Light 2. Microphone 3. Supplement Light 4. Camera
5. Photosensitive Sensor 6. Loudspeaker 7. Panic Button
8. Speed Dome Pole (Sold Separately)

2 Installation

During construction, refer to the embedded foundation design as shown.
Note: The design is for reference only. Please modify it in combination with local conditions and environmental factors.

- 1 Base**
The threading pipe needs to be out of the middle square hole area. The diameter of threading pipe shall not be less than 30 mm.
- 2 Earth electrode**
After the earth electrode is installed, the grounding resistance should be measured with a grounding tramegger, and it is required to be less than 4Ω. Note that resistance should not be measured immediately after rain. Uses 2.5 inch steel pipe and 30x5 mm flat steel as material.
- 3 800 mm embedded foundation reference (sectional drawing)**
4 1200 mm embedded foundation reference (sectional drawing)
1. 4-M20 2. C25 Concrete 3. Threading Pipe (Diameter≥30 mm)
4. Reinforcement Bar Ring 5. Anchor Bolt 6. Crushed Stone
- 5 800 mm embedded foundation reference**
(For 2 to 4 m pole panic alarm station without a speed dome pole)
- 6 1200 mm embedded foundation reference**
(For 4 to 8 m pole panic alarm station with a speed dome pole)
7. Base 8. Welding of Ø8 Reinforcement Bar and Anchor Bolt

Instruction

- Unit: mm.
- The thread of the anchor bolt head is M20. The exposed part of anchor bolts on the ground and base is 80 mm.
- The front of the device is where the panic button is located. The back of the device is where the rear door is located. Determine the device installation direction as required.
- The threading pipe needs to be in the square hole area shown in the figure, otherwise it will interfere with the bottom of the device.
- Anchor bolts are processed with steel (A3).
- The cable threading pipe above ø 25 can be made of PVC pipe or galvanized steel pipe by bending R180.

3 Wiring

After the installation of the pole panic alarm station, grounding treatment must be carried out. The external grounding wire should be connected with the grounding stud at the bottom of the pole to ensure the grounding of the whole device casing.

Top Wiring

1. Cover Plate 2. Inlet Hole 3. M4 Bolt 4. M4 Nut
Loosen the locking bolt and slide the cover plate upward, so that the cable can enter the interior of the pole from the inlet hole. (Uses a 7 mm socket or wrench.)

Note: After the top wiring is completed, the cover plate must be reset and the bolts must be tightened to prevent water entering.

Bottom Wiring

5. Earth Wire 6. Live Wire 7. Neutral Wire
Remove the cover plate of the strong current box and connect the wires.

4 Activation

- Download and install the IVMS-4200 client software.
- Enter **Device Management** page, and click **Online Device**.
- Select the device in the **Online Device List**, click **Activate** and create a password.

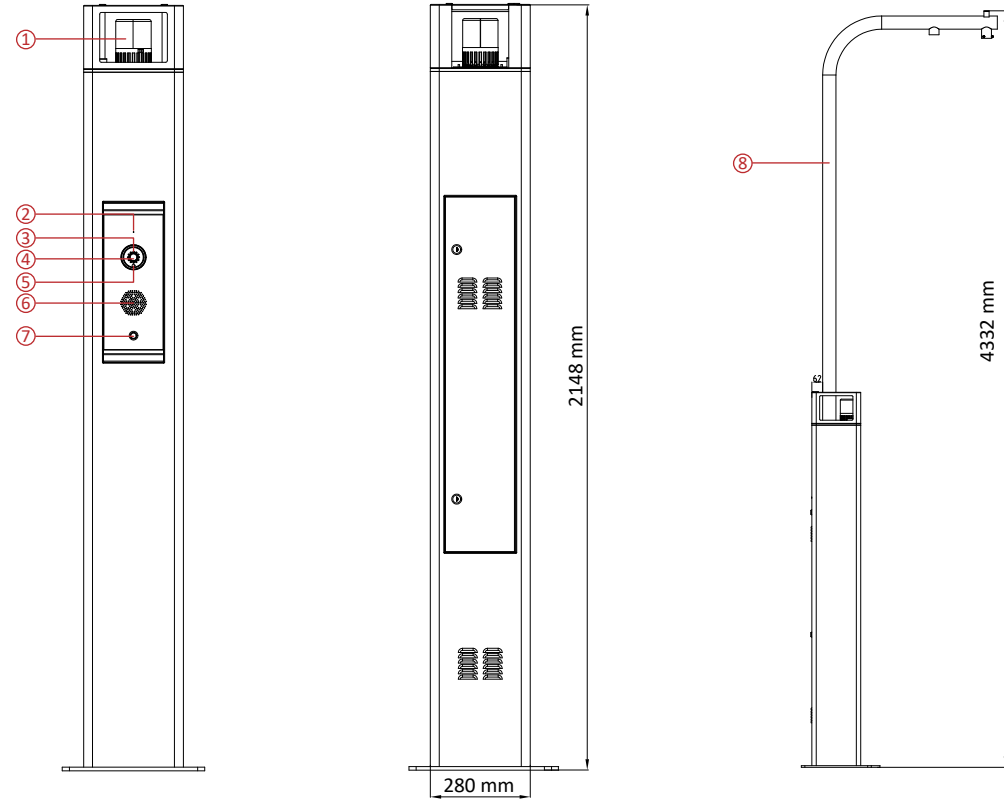
User Manual

Scan the QR code for more information and operation help.

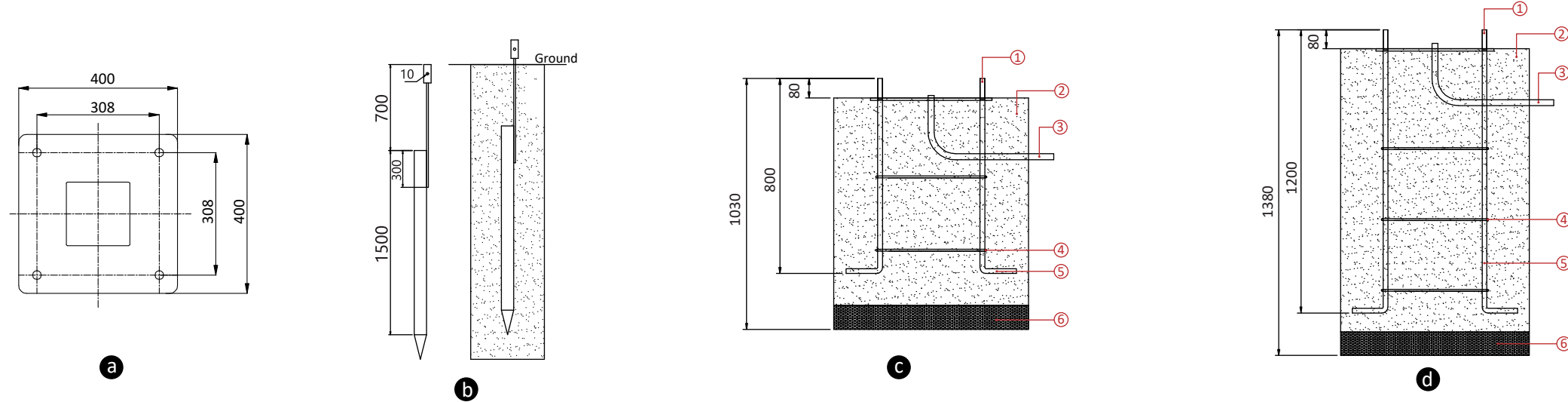
Specification

Device	Pole Panic Alarm Station	
Camera parameter	Camera	CMOS low illumination 200W pixel HD camera
	Lens	Horizontal field of view: 129°
	Day-Night conversion mode	Auto
Video parameter	Resolution ratio	1920x1080
	Video compression standard	H.264/H.265
	Resolution ratio	1920x1080
	Compressed output bit rate	32 Kbps to 16 Mbps
Audio parameter	Video frame rate	PAL: 25 fps; NTSC: 30 fps
	Audio input	Built in 1-way high-sensitivity omnidirectional microphone, 1-way 3.5mm audio socket for external audio input
	Audio output	2-way: Built in 1-way 30W speaker; 1-way 3.5mm audio socket with external sound source
Supplement light	Audio standard	G.711U/ACC/PCM
	Supplement light	Infrared
Alarm input	Network protocol	TCP/IP, SNMP, SIP, RTSP
	Public network transmission	ISUP
	Alarm input	Tampering alarm
Interface	Network port	2, RJ45 10M/100M self-adaption
	IO input	2
	IO output	2
	Alarm light	1
	Sounder	1
	Lock	ordinary cabinet lock
	Button	1
	Exchange board	1, 8-port
	RS-485	1
	Micro SD Card	1 (256G Max.)
Other	Power supply	AC 220 V
	Consumption	≤ 51W
	Operation temperature	-40°C to 70°C
	Operation humidity	10% to 90%
	Installation	Embedded foundation
Height	2148 ± 20 mm	
Protection level	IP65	
lightning protection	Support	
Auto Reclosing	Support	

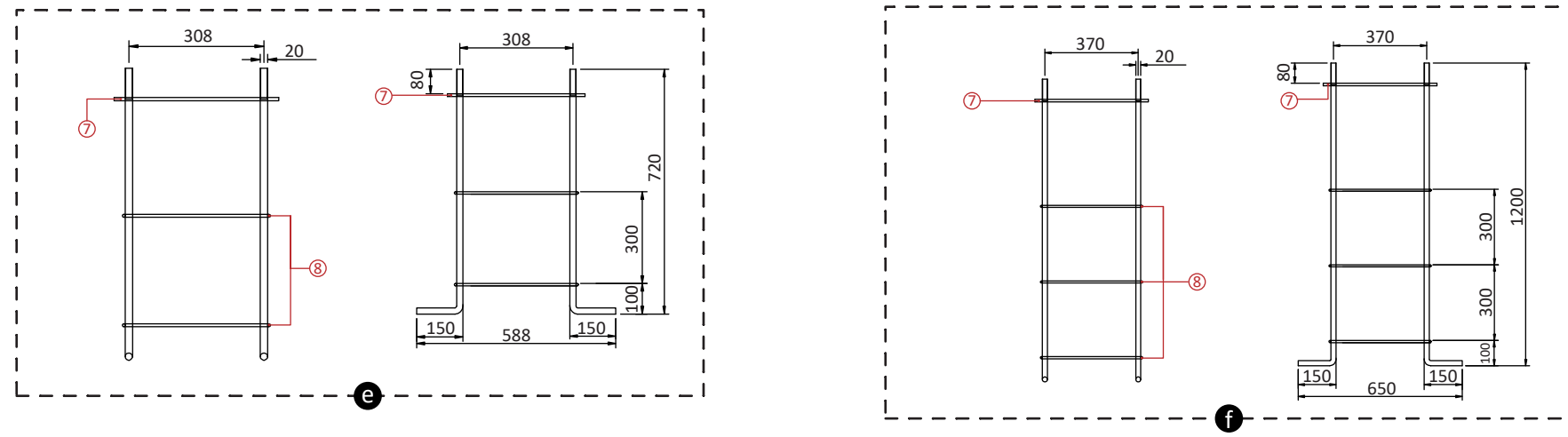
1



2



3



3

