

DS-2TS16-50VI/W

Handheld Thermal & Optical Bi-spectrum Binocular



Hikvision DS-2TS16-50VI/W Handheld Thermal & Optical Bi-spectrum Binocular is equipped with ultra-low light optical detector, 640 × 512 thermal detector, 1024×768 OLED display and eyepiece with large field of view. The device can quickly discover and locate hiding objects even under extreme environment, such as smoke, fog, rain and snow. It can be widely applied to scenarios like patrol, law enforcement, search and rescue, drug enforcement, anti-smuggling and suspect capture.

Key Features

- Thermal: 640 × 512@25fps, optical: 1280 × 960@25fps
- NETD < 40mk (@25°C,F#=1.0)
- DDE (Digital Detail Enhancement)
- 3D DNR, adaptive AGC (Automatic Gain Control)
- Ultra-low illumination (optical channel), B/W: 0.001 lux @ (F1.0 , AGC On)
- 0.39-inch OLED display
- Automatic OLED backlight
- Manual focus for thermal lens
- Bi-spectrum image fusion and object highlight (detail enhancement and target recognition)
- Video recording, replay, picture snapshot and search (capable to review the event on device)
- Wi-Fi hot spot, GPS, cursor display
- Up to 7 hours continuous running
- IP67



Specifications

Model	DS-2TS16-50VI/W
Parameter	Handheld Observational Thermal & Optical Bi-spectrum Binocular
Thermal Module	
Image sensor	Uncooled Focal Plane Arrays
Max. Resolution	640 × 512@25fps
Pixel Pitch	17μm
Response waveband	8μm to 14μm
NETD	< 40mk (@25°C,F#=1.0)
Lens (focal length)	50mm, Manual focus
MRAD (IFOV)	0.34
Field of View	12.42° × 9.95°
Aperture	F 1.0
Digital Zoom	4×
Optical Module	
Image Sensor	1/3" Progressive Scan CMOS
Min. Illumination	B/W : 0.001 lux @ (F1.0 , AGC On)
Max. Resolution	1280 × 960@25fps
Lens (focal length)	12mm
Image Enhancement	3D DNR, Adaptive AGC
Image Display	
Monitor	0.39-inch, OLED, 1024 × 768
Thermal/Optical Mode	Thermal view, B/W optical view, image fusion view are selectable
Image Fusion	Color fusion, B/W fusion
Palettes	Black hot, white hot
Smart	
Hot Track	Yes
Object Highlight	Yes
Cursor Display	A cursor shows in the view for roughly measuring distance from the target.
Automatic Backlight	The OLED backlight automatically turns off if no human eyes are detected.
System	
Storage	Built-in memory module (32GB)
Record Video	On-board video recording
Snapshot	On-board image capturing
Video Replay	Yes
Picture Search	Yes
Wi-Fi	Yes
GPS	Yes
Power Supply	
Battery Type	Four 18650 batteries, requires 5 hours to be fully charged
Battery Operating Time	≥7h
Battery Capacity Display	Yes
General	
Power	5V DC/2A

Working Temperature	-30 °C to 55 °C (-22 °F to 131 °F)
Protection level	IP67
Mounting	UNC 1/4"-20
Cable Output	Aviation plug: connecting to BNC, DB9, and USB
Accessories (Supplied)	Battery charger, battery charger power cable, wiping cloth, two wrist straps, User manual, aviation plug cable, eight batteries
Dimension (L x W x H)	164mm × 182.3mm × 73.3mm (6.46" × 7.18" × 2.89")
Weight	<1.0kg (2.20 lb)

Wide Range Coverage for Different Specifications

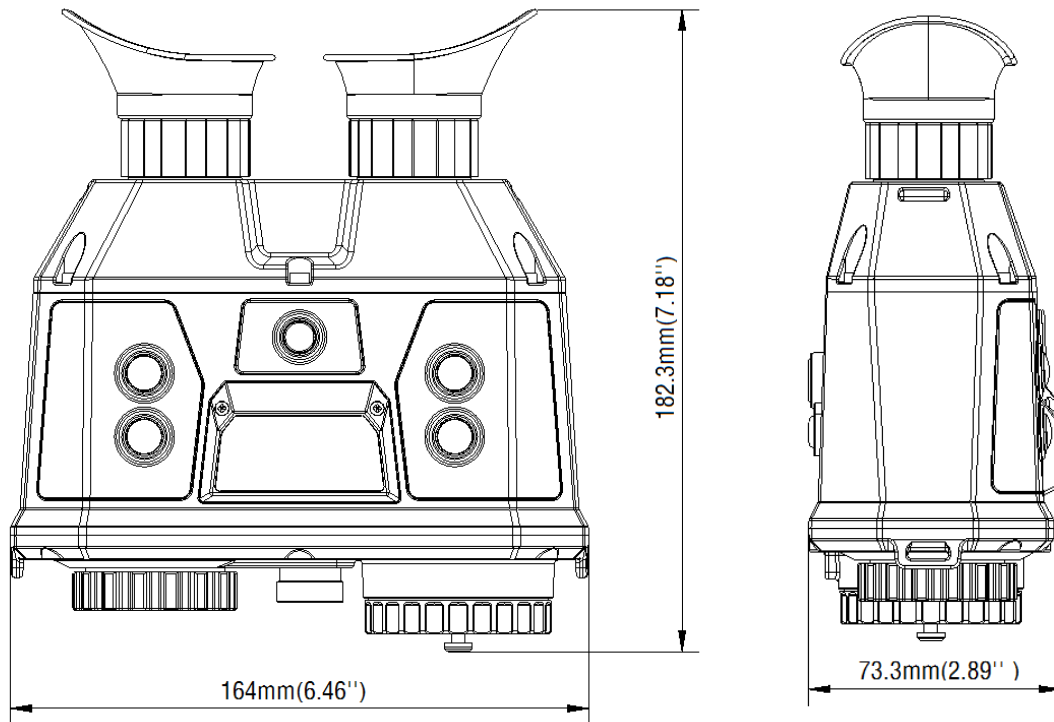
Note: The table below is only for reference, the performance varies from model to model, and the specific data is based on 17 μm pixel pitch.

Lens (focal length)	50mm
Detection range (Vehicles)	4510m
Detection range (Humans)	1471m
Recognition range (Vehicles)	1127m
Recognition range (Humans)	368m
Identification range (Vehicles)	564m
Identification range (Humans)	184m

Order Models

DS-2TS16-50VI/W

Dimensions



COMPLIANCE NOTICE: The thermal series products might be subject to export controls in various countries or regions, including without limitation, the United States, European Union, United Kingdom and/or other member countries of the Wassenaar Arrangement. Please consult your professional legal or compliance expert or local government authorities for any necessary export license requirements if you intend to transfer, export, re-export the thermal series products between different countries.



Headquarters

No.555 Qianmo Road, Binjiang District,
Hangzhou 310051, China
T +86-571-8807-5998
overseasbusiness@hikvision.com

Hikvision USA
T +1-909-895-0400
sales.usa@hikvision.com

Hikvision Australia
T +61-2-8599-4233
salesau@hikvision.com

Hikvision India
T +91-22-28469900
sales@pramahikvision.com

Hikvision Canada
T +1-866-200-6690
sales.canada@hikvision.com

Hikvision Thailand
T +662-275-9949
sales.thailand@hikvision.com

Hikvision Europe
T +31-23-5542770
sales.eu@hikvision.com

Hikvision Italy
T +39-0438-6902
info.it@hikvision.com

Hikvision Brazil
T +55 11 3318-0050
Latam.support@hikvision.com

Hikvision Turkey
T +90 (216)521 7070- 7074
sales.tr@hikvision.com

Hikvision Malaysia
T +601-7652-2413
sales.my@hikvision.com

Hikvision UK & Ireland
T +01628-902140
sales.uk@hikvision.com

Hikvision South Africa
Tel: +27 (10) 0351172
sale.africa@hikvision.com

Hikvision France
T +33(0)1-85-330-450
info.fr@hikvision.com

Hikvision Kazakhstan
T +7-727-9730667
nikia.panfilov@hikvision.ru

Hikvision Vietnam
T +84-974270888
sales.vt@hikvision.com

Hikvision UAE
T +971-4-4432090
salesme@hikvision.com

Hikvision Singapore
T +65-6684-4718
sg@hikvision.com

Hikvision Spain
T +34-91-737-16-55
info.es@hikvision.com

Hikvision Tashkent
T +99-87-1238-9438
uzb@hikvision.ru

Hikvision Hong Kong
T +852-2151-1761
info.hk@hikvision.com

Hikvision Russia
T +7-495-669-67-99
saleru@hikvision.com

Hikvision Korea
T +82-(0)31-731-8817
sales.korea@hikvision.com

Hikvision Poland
T +48-22-460-01-50
info.pl@hikvision.com

Hikvision Indonesia
T +62-21-2933759
Sales.Indonesia@hikvision.com

Hikvision Colombia
sales.colombia@hikvision.com

0200001080831