

DS-2TB2617-6/QA

Temperature Screening Thermographic Thermal & Optical
Bi-Spectrum Network Bullet Camera



Hikvision DS-2TB2617-6/QA Temperature Screening Thermographic Bullet Camera is designed to detect surface temperature with high accuracy in real time. It can be used for preliminary temperature screening in office buildings, factories, stations, airports and other public places.

Note that the device is not for medical use.

Key Feature

- 160 × 120 resolution in thermal channel, high sensitivity sensor
- Temperature range: 30°C to 45°C; temperature accuracy: ± 0.5°C
- Reliable temperature exception alarm function
- 3D DNR, image detail enhancement
- Audio alarm

▪ Specification

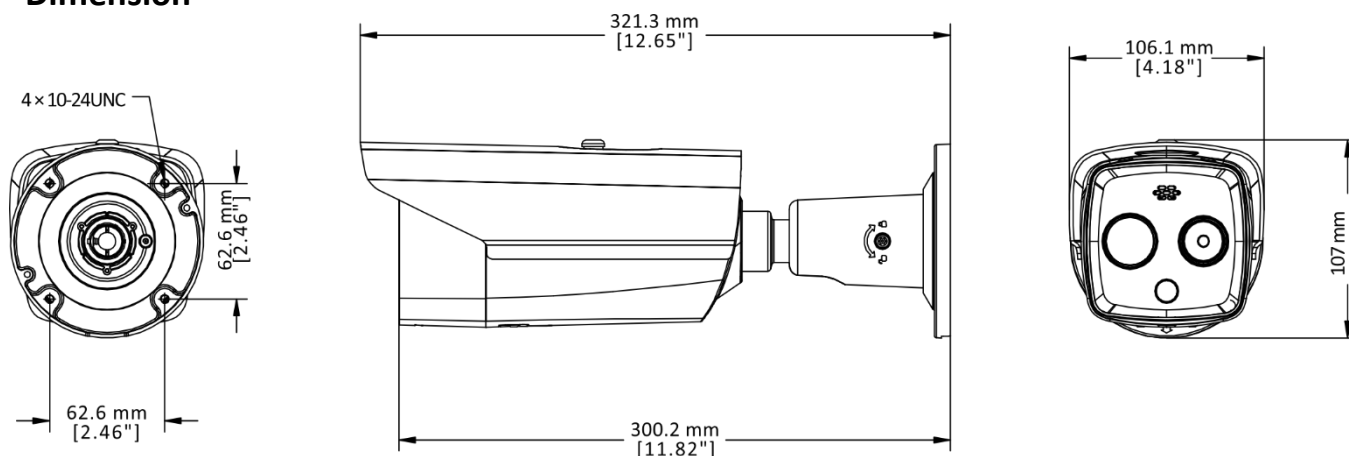
Thermal Module	
Image Sensor	VOx Uncooled Focal Plane Arrays
Resolution	160 × 120
Pixel Interval	17 μm
Response Waveband	8 μm to 14 μm
NETD	Less than 40 mK (@ 25°C, F# = 1.1)
Focal Length	6.2 mm
IFOV	2.74 mrad
Aperture	F1.1
Field of View	25° × 18.7° (H × V)
Min. Focusing Distance	0.6 m
Optical Module	
Image Sensor	1/2.7" Progressive Scan CMOS
Resolution	2688 × 1520, 4 MP
Min. Illumination	Color: 0.0089 Lux @ (F1.6, AGC ON), B/W: 0.0018 Lux @ (F1.6, AGC ON)
Field of View	39.42° × 22.14° (H × V)
Focal Length	8 mm
Shutter Speed	1 s to 1/100,000 s
White Balance	Auto/Manual/ATW (Auto-tracking White Balance)/Indoor/Outdoor/Daylight Lamp/Sodium Lamp
Day & Night Mode	IR cut filter with auto switch
WDR	120 dB
Image Effect	
Picture in Picture	Display partial image of thermal channel on the full screen of optical channel
Illuminator	
IR Distance	Up to 40 m
IR Intensity and Angle	Automatically adjusted
Smart Function	
Temperature Range	30°C to 45°C (86°F to 113°F)
Temperature Accuracy	± 0.5°C
Video and Audio	
Main Stream	Thermal: 25 fps (1280 × 720, 704 × 576, 640 × 480, 352 × 288, 320 × 240) Optical: 50 Hz: 25 fps (2688 × 1520, 1920 × 1080, 1280 × 720) 60Hz: 30 fps (2688 × 1520, 1920 × 1080, 1280 × 720)
Sub Stream	Thermal: 25 fps (704 × 576, 352 × 288, 320 × 240) Optical: 50 Hz: 25 fps (704 × 576, 352 × 288, 176 × 144) 60 Hz: 30 fps (704 × 480, 352 × 240, 176 × 120)
Video Compression	H.264 (Baseline/Main/High Profile) /MJPEG/H.265
Audio Compression	G.711u/G.711a/G.722.1/MP2L2/G.726/PCM
Protocols	IPv4/IPv6, HTTP, HTTPS, 802.1x, Qos, FTP, SMTP, UPnP, SNMP, DNS, DDNS, NTP, RTSP, RTCP, RTP, TCP, UDP, IGMP, ICMP, DHCP, PPPoE

API	Open-ended API, supporting ISAPI, HIKVISION SDK, and third-party management platform, open network video interface
Security	User authentication (ID and PW), MAC address binding, HTTPS encryption, IEEE 802.1x (EAP-MD5, EAP-TLS), access control, IP address filtering
Simultaneous Live View	Up to 20 channels
Interface	
Client	iVMS-4200, Hik-Connect
Web Browser	Plug-in required: IE8-IE11, Chrome 41-44, Firefox 30.0-51
Alarm Input	2-ch inputs (0 to 5 VDC)
Alarm Output	2-ch relay outputs, alarm response actions configurable
Alarm Action	SD recording/Relay output/Smart capture/FTP upload/Email linkage
Audio Input	1, 3.5 mm Mic in/Line in interface. Line input: 2 to 2.4 V [p-p], output impedance: 1 K Ω \pm 10%
Audio Output	Linear Level; Impedance: 600 Ω
Communication Interface	1, RJ45 10 M/100 M Self-adaptive Ethernet interface. 1, RS-485 interface
On-board Storage	Built-in MicroSD card slot, supporting MicroSD/SDHC/SDXC card (up to 256 GB), supports manual/alarm recording
General	
Web Client Language	32 languages English, Russian, Estonian, Bulgarian, Hungarian, Greek, German, Italian, Czech, Slovak, French, Polish, Dutch, Portuguese, Spanish, Romanian, Danish, Swedish, Norwegian, Finnish, Croatian, Slovenian, Serbian, Turkish, Korean, Traditional Chinese, Thai, Vietnamese, Japanese, Latvian, Lithuanian, Portuguese (Brazil)
User/Host level	Up to 32 users, 3 levels: Administrator, Operator, User
Power	PoE (802.3af, class 3), 42.5 V to 57 V, 0.14 A to 0.22 A, 12VDC, 0.5 A
Power Consumption	PoE (802.3af, class 3): 42.5 V to 57 V, 0.14 A to 0.22 A, max. 6.5 W 12 VDC \pm 20%: 0.5 A, max. 6 W
Work Temperature/Humidity	From 10°C to 35°C (Indoor and windless environment use only); Humidity: 95% or Less
Protection Level	IP66 Standard; TVS 6000V Lightning Protection, Surge Protection and Voltage Transient Protection
Dimension	358.3 mm \times 113.5 mm \times 115.2 mm (14.10" \times 4.47" \times 4.53")
Weight	1.76 kg (3.88 lb)

▪ Available Model

DS-2TB2617-6/QA

▪ **Dimension**



Unit: mm (Inch)

▪ **Accessory**

▪ **Included**



DS-1260ZJ
Junction Box

▪ **Optional**



DS-1276ZJ-SUS
Corner Mount



DS-1275ZJ-SUS
Vertical Pole Mount



DS-2921ZJ-S



DS-1275ZJ-S-SUS
Vertical Pole Mount



DS-2922ZJ



DS-2909ZJ



DS-2907ZJ
Bracket



DS-1280ZJ-S
Junction Box



DS-2904ZJ



DS-2921ZJ-M

COMPLIANCE NOTICE: The thermal series products might be subject to export controls in various countries or regions, including without limitation, the United States, European Union, United Kingdom and/or other member countries of the Wassenaar Arrangement. Please consult your professional legal or compliance expert or local government authorities for any necessary export license requirements if you intend to transfer, export, re-export the thermal series products between different countries.

Headquarters

No.555 Qianmo Road, Binjiang District,
Hangzhou 310051, China
T +86-571-8807-5998
www.hikvision.com



Follow us on social media to get the latest product and solution information.

