

DS-2TB1217-3/QA Temperature Screening Thermographic Camera



Hikvision DS-2TB1217-3/QA Temperature Screening Thermographic Turret Camera is designed to detect surface temperature with high accuracy in real time. It can be used for preliminary temperature screening in office buildings, factories, stations, airports and other public places.

Note that the device is not for medical use.

Key Feature

- High sensitivity thermal module with 160 × 120 resolution
- NETD is less than 40 mk (@25°C, F# = 1.1)
- Leading thermal image processing technology: Adaptive AGC, DDE, 3D DNR
- Support temperature screening
- Support audio alarm

▪ Specification

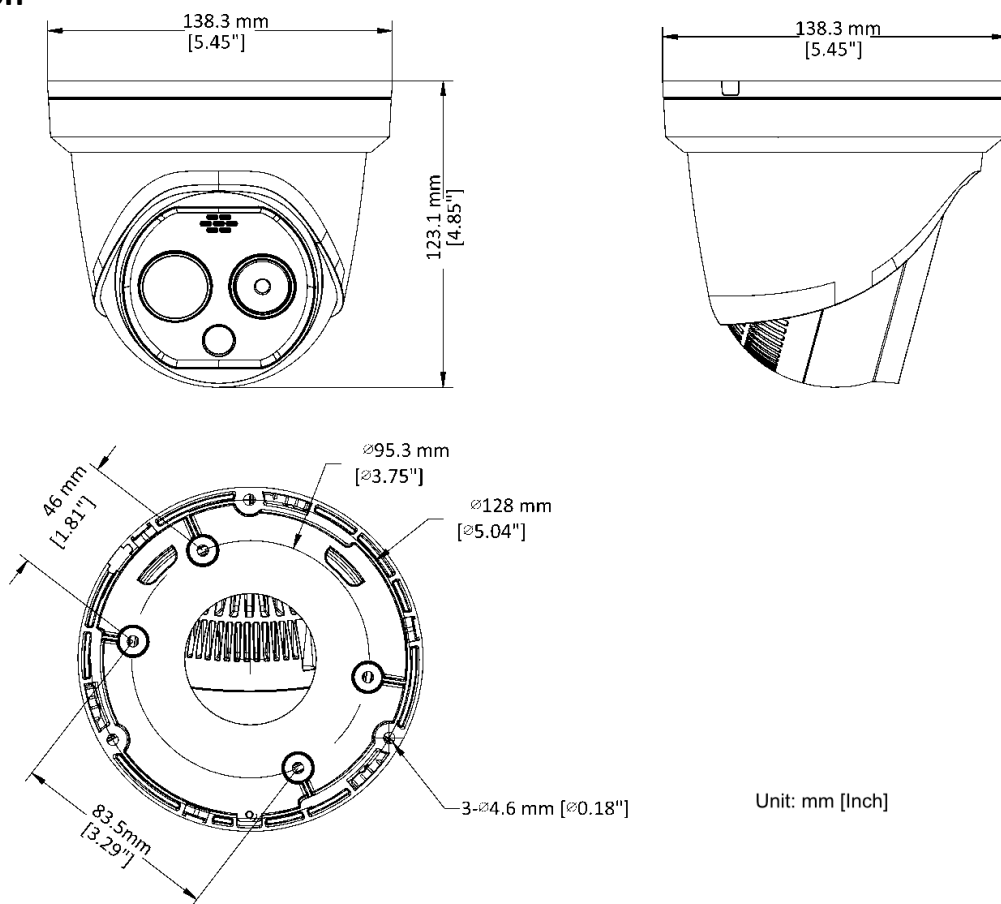
| Thermal Module | |
|------------------------|--|
| Image Sensor | VOx Uncooled Focal Plane Arrays |
| Resolution | 160 × 120 |
| Pixel Interval | 17 μm |
| Response Waveband | 8 μm to 14 μm |
| NETD | < 40 mK (@ 25°C, F# = 1.1) |
| Focal Length | 3.1 mm |
| IFOV | 5.48 mrad |
| Aperture | F1.1 |
| Field of View | 50° × 37.2° (H × V) |
| Min. Focusing Distance | 0.2 m |
| Optical Module | |
| Image Sensor | 1/2.7" Progressive Scan CMOS |
| Resolution | 2688 × 1520, 4 MP |
| Min. Illumination | Color: 0.0089 Lux @ (F1.6, AGC ON), B/W: 0.0018 Lux @ (F1.6, AGC ON) |
| Field of View | 84° × 44.8° (H × V) |
| Focal Length | 4 mm |
| Shutter Speed | 1 s to 1/100,000 s |
| White Balance | Auto/Manual/ATW (Auto-tracking White Balance)/Indoor/Outdoor/Daylight Lamp/Sodium Lamp |
| Day & Night Mode | IR cut filter with auto switch |
| WDR | 120 dB |
| Image Effect | |
| Picture in Picture | Display partial image of thermal channel on the full screen of optical channel |
| Illuminator | |
| IR Distance | Up to 15 m |
| IR Intensity and Angle | Automatically adjusted |
| Smart Function | |
| Temperature Range | 30°C to 45°C (86°F to 113°F) |
| Temperature Accuracy | ± 0.5°C |
| Video and Audio | |
| Main Stream | Thermal: 25 fps (1280 × 720, 704 × 576, 640 × 480, 352 × 288, 320 × 240) Optical: 50 Hz: 25 fps (2688 × 1520, 1920 × 1080, 1280 × 720) 60Hz: 30 fps (2688 × 1520, 1920 × 1080, 1280 × 720) |
| Sub Stream | Thermal: 25 fps (704 × 576, 352 × 288, 320 × 240) Optical: 50 Hz: 25 fps (704 × 576, 352 × 288, 176 × 144) 60 Hz: 30 fps (704 × 480, 352 × 240, 176 × 120) |
| Video Compression | H.264 (Baseline/Main/High Profile) /MJPEG/H.265 |
| Audio Compression | G.711u/G.711a/G.722.1/MP2L2/G.726/PCM |

| | |
|---------------------------|--|
| Protocols | IPv4/IPv6, HTTP, HTTPS, 802.1x, Qos, FTP, SMTP, UPnP, SNMP, DNS, DDNS, NTP, RTSP, RTCP, RTP, TCP, UDP, IGMP, ICMP, DHCP, PPPoE |
| API | Open-ended API, supporting ISAPI, HIKVISION SDK, and third-party management platform, open network video interface |
| Security | User authentication (ID and Password), MAC address binding, HTTPS encryption, IEEE 802.1x(EAP-MD5, EAP-TLS), access control, IP address filtering |
| Simultaneous Live View | Up to 20 channels |
| Interface | |
| Client | iVMS-4200, Hik-Connect |
| Web Browser | Plug-in required: IE8-IE11, Chrome 41-44, Firefox 30.0-51 |
| Alarm Input | 1-ch inputs (0 to 5 VDC) |
| Alarm Output | 1-ch relay outputs, alarm response actions configurable |
| Alarm Action | SD recording/Relay output/Smart capture/FTP upload/Email linkage |
| Audio Input | 1, 3.5 mm Mic in/Line in interface. Line input: 2 to 2.4 V [p-p], output impedance: 1 K Ω \pm 10% |
| Audio Output | Linear Level; Impedance: 600 Ω |
| Communication Interface | 1, RJ45 10 M/100 M Self-adaptive Ethernet interface. 1, RS-485 interface |
| On-board Storage | Built-in MicroSD card slot, supporting MicroSD/SDHC/SDXC card (up to 256 GB), supports manual/alarm recording |
| General | |
| Web Client Language | 32 languages English, Russian, Estonian, Bulgarian, Hungarian, Greek, German, Italian, Czech, Slovak, French, Polish, Dutch, Portuguese, Spanish, Romanian, Danish, Swedish, Norwegian, Finnish, Croatian, Slovenian, Serbian, Turkish, Korean, Traditional Chinese, Thai, Vietnamese, Japanese, Latvian, Lithuanian, Portuguese (Brazil) |
| User/Host level | Up to 32 users, 3 levels: Administrator, Operator, User |
| Power | PoE (802.3af, class 3), 42.5 V to 57 V, 0.14 A to 0.22 A, 12 VDC, 0.5 A |
| Power Consumption | PoE (802.3af, class 3): 42.5 V to 57 V, 0.14 A to 0.22 A, Max. 6.5 W 12 VDC \pm 20%: 0.5 A, Max. 6 W |
| Work Temperature/Humidity | From 10°C to 35°C (Indoor and windless environment use only); Humidity: 95% or Less |
| Protection Level | IP66 Standard; TVS 6000V Lightning Protection, Surge Protection and Voltage Transient Protection |
| Dimension | 138.3 mm \times 138.3 mm \times 123.1 mm (5.45" \times 5.45" \times 4.85") |
| Weight | 940 g (2.07 lb) |

▪ Available Model

DS-2TB1217-3/QA

▪ **Dimension**



▪ **Accessory**

▪ **Optional**



DS-1271ZJ-140
Pendant Mount



DS-2907ZJ
Bracket



DS-2921ZJ-S



DS-1273ZJ-140B
Wall Mount



DS-2922ZJ



DS-2921ZJ-M



DS-1273ZJ-140
Wall Mount



DS-2908ZJ
Bracket



DS-1276ZJ-SUS
Corner Mount



DS-1275ZJ-SUS
Vertical Pole Mount

COMPLIANCE NOTICE: The thermal series products might be subject to export controls in various countries or regions, including without limitation, the United States, European Union, United Kingdom and/or other member countries of the Wassenaar Arrangement. Please consult your professional legal or compliance expert or local government authorities for any necessary export license requirements if you intend to transfer, export, re-export the thermal series products between different countries.

Headquarters

No.555 Qianmo Road, Binjiang District,
Hangzhou 310051, China
T +86-571-8807-5998
www.hikvision.com



Follow us on social media to get the latest product and solution information.



Hikvision



HikvisionHQ



HikvisionHQ



Hikvision_Global



Hikvision
Corporate Channel



hikvisionhq