

## DS-2TP23-10VF/W Handheld Thermography Camera



The handheld thermography camera, specially designed for temperature measurement in transformer substation. It's equipped with a 384×288 resolution thermal detector and a 8MP resolution optical light detector. The 3.5-inch touch screen displays picture in picture of optical and thermal view, fusion of both channels. It helps the staff to quickly find the fault according to accurate temperature measurement of high temperature targets in the environment. Meanwhile it provides assistant decision and ensure safety.

### Key Features

- 384 × 288 resolution (thermal), and 8MP resolution (optical)
- DDE (Digital Detail Enhancement) technique
- 3D DNR, adaptive AGC (Automatic Gain Control)
- 640×480 resolution 3.5" LCD touch display
- Built-in rechargeable Li-ion battery
- Up to four hours continuous running



## Application Scenarios

The device is mainly applied to various industries, such as Power, Photovoltaic, Metallurgy, Piping, Building, Electronics, Telecommunication, Fire control, and Data center, etc.,



Power



Photovoltaic



Metallurgy



Piping



Building



Electronics



Telecommunication



Fire Control



Data Center

## Functions

### Thermography

Device detects the real-time temperature, and display it on the screen.

### Storage

Device is equipped with built-in memory module to store recorded videos, captured snapshots, and important data.

### Fusion

Device can display fusion of thermal view and optical view.

### Palette and Alarm

Device supports multiple palettes, and you can set the palette mode according to the alarm function

### Wi-Fi Function

Device can be connected to Wi-Fi. You can connect the device via Wi-Fi hot spot, and you can view live view, capture, and recording, etc.

### Digital Zoom

Device supports 1×, 2× and 4× digital zoom.

### LED Light:

LED light supplement makes the device a torch in required scenarios.

### Laser Light Supplement:

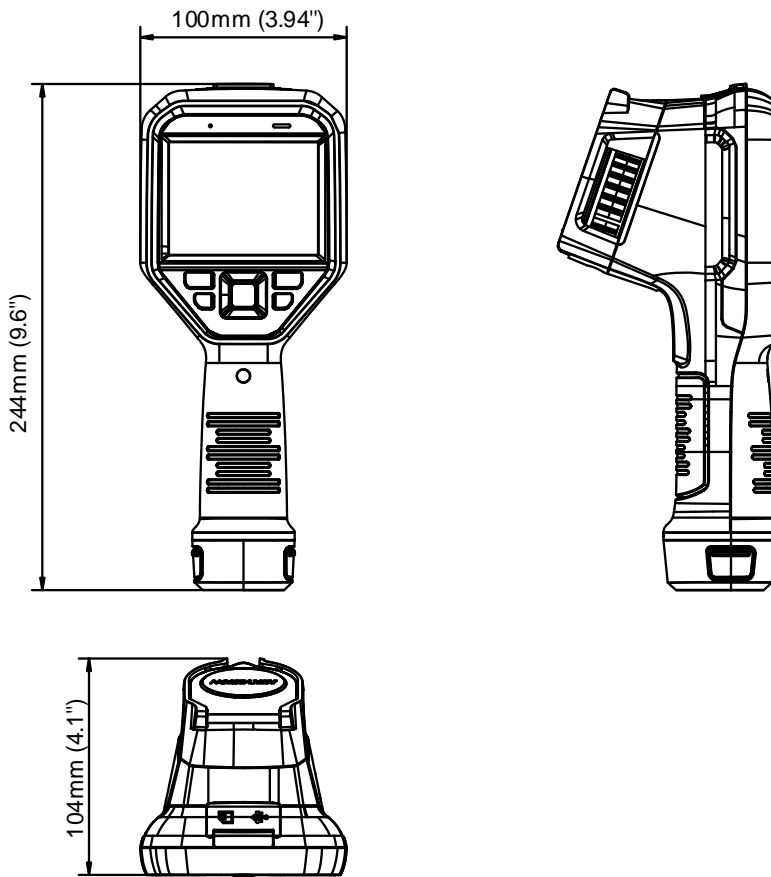
Long-distance laser light supplement to point the thermography target.

**Specifications**



Parameter		Model	DS-2TP23-10VF/W	
			Handheld Thermography Camera	
Thermal Module	Image sensor		Vanadium Oxide Uncooled Focal Plane Arrays	
	Max. Resolution		25Hz: 384 × 288	
	Pixel Pitch		17μm	
	Response waveband		8μm to 14μm	
	NETD		< 40mk (@ 25 °C,F#=1.0)	
	Field of View		37.5° × 28.5 °	
	Focal length		10 mm (Manual focus)	
	I FOV (mrad)		1.7mrad	
			Aperture	F 1.0
Optical Module	Picture Resolution		Configurable: 2 MP, 5 MP, 8 MP	
	Video Resolution		640 × 480	
Image Display	Monitor		640 × 480 resolution 3.5' LCD touch display	
	Palettes		Black hot, White hot, Red hot, Rainbow, Ironbow, Fusion, Rain	
	Digital Zoom		Thermal: 1×, 2×, 4×	
	Thermal / Optical		Thermal/Optical/Fusion image/Picture in picture	
	Picture in Picture		Support Thermal View in Optical View	
	Fusion		Support (Thermal View and Optical View Combined)	
	Record Video		Support on-board video recording	
Thermography	Rules		Max. Temperature; Min. Temperature; Center Temperature; Custom Point/Line/Area Thermometry	
	Thermometry Range		-20 °C to 550 °C (-4 °F to 1022 °F)	
	Thermometry Accuracy		Max (±2 °C, ±2%)	
Battery	Battery Type		Replaceable and rechargeable Lithium Battery	
	Battery Operating Time		Four hours continuous running	
Functions	Laser Light		Support (Point to the thermography target)	
	Storage		Replaceable memory card (default 64GB, support up to 128GB storage)	
	Photo		Thermal/Optical/Fusion image	
	Video		Thermal/Optical/Fusion image	
	Lighting		Support	
	Wi-Fi		Support	
	Text Comment		Support	
	Voice Comment		Support	
General	Language		English	
	Power		12 V DC/1.5A, 5V DC/2A (Charging via USB)	
	Power Consumption		Approx. 5 W (Wi-Fi On), 4.2 W (Wi-Fi Off)	
	Hardware Interface		micro USB	
	Working Temperature		-10 °C to 50 °C (-14 °F to 122 °F)	
	Protection level		IP54	
	Drop Test Height		2 m (6.56 feet)	
	Dimension		244 mm × 100 mm × 104 mm (9.6 " × 3.9 " × 4.1 ")	
	Weight		Approx. 660 g (1.46 lb)	
Accessory		Battery, Charger, USB cable, Box		

**Dimensions**



Distributed by



**HIKVISION®**

**Headquarters**

No.555 Dianmo Road, Binjiang District,  
Hangzhou 310051, China  
T +86-571-8807-5998  
overseasbusiness@hikvision.com

**Hikvision USA**  
T +1-909-895-0400  
sales.usa@hikvision.com

**Hikvision Europe**  
T +31-23-55-42-770  
info.eu@hikvision.com

**Hikvision Middle East**  
T +971-4-8816086  
salesme@hikvision.com

**Hikvision Russia**  
T +7-495-669-67-99  
saleru@hikvision.com

**Hikvision India**  
T +91-22-28469900  
sales@pramahikvision.com

**Hikvision Italy**  
T +39-0438-6902  
info.it@hikvision.com

**Hikvision France**  
T +33(0)1-85-330-450  
info.fr@hikvision.com

**Hikvision Spain**  
T +34-91-737-16-55  
info.es@hikvision.com

**Hikvision Poland**  
T +48-22-460-01-50  
poland@hikvision.com

**Hikvision UK**  
T +01628-902140  
support.uk@hikvision.com

**Hikvision Singapore**  
T +65-6684-4718  
sg@hikvision.com

**Hikvision Oceania**  
T +61-2-8599-4233  
salesau@hikvision.com

**Hikvision Canada**  
T +1-909-895-0400  
sales.usa@hikvision.com

**Hikvision Korea**  
T +82-31-731-8841  
sales.korea@hikvision.com

**Hikvision Brazil**  
T +55 11 3318-0050  
Latam.support@hikvision.com

**Hikvision Africa**  
T +27 (10) 0351172  
sale.africa@hikvision.com

**Hikvision Hong Kong**  
T +852-2151-1761