

Fixed-angle Speed-measuring Radar

Narrow beam Speed measurement Radar sensor measures the speed and distance of an approaching or receding vehicle in a single lane. The radar sensor provides a trigger signal for video surveilling equipment in order to capture the target vehicle's number plate. The narrow beam antenna meets the international requirements for speed enforcement radar systems. This module enables an easy integration as there are no settings required. It can be widely applied to highway, tunnel, three-dimensional crossing bridges and other traffic environments.



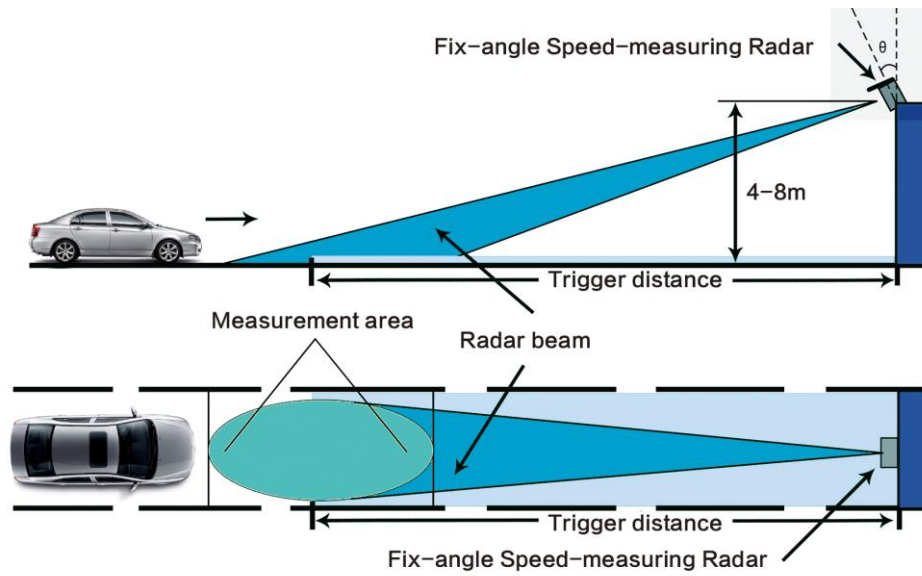
Model description

The SAP code	Product model	Functional description
302102126	DS-TD10N-1 Fixed-angle Speed-measuring Radar	Fixed-angle Speed-measuring Radar adopts advanced microwave and high accuracy positioning technology, which is suitable for real-time velocity measurement and fixed-point snapshot. Combined with advanced signal processing technology, distance detection for multiple targets can be achieved. All these designs enable vehicles with different speeds or sizes can be triggered to capture the number plate at fixed-spot positions.

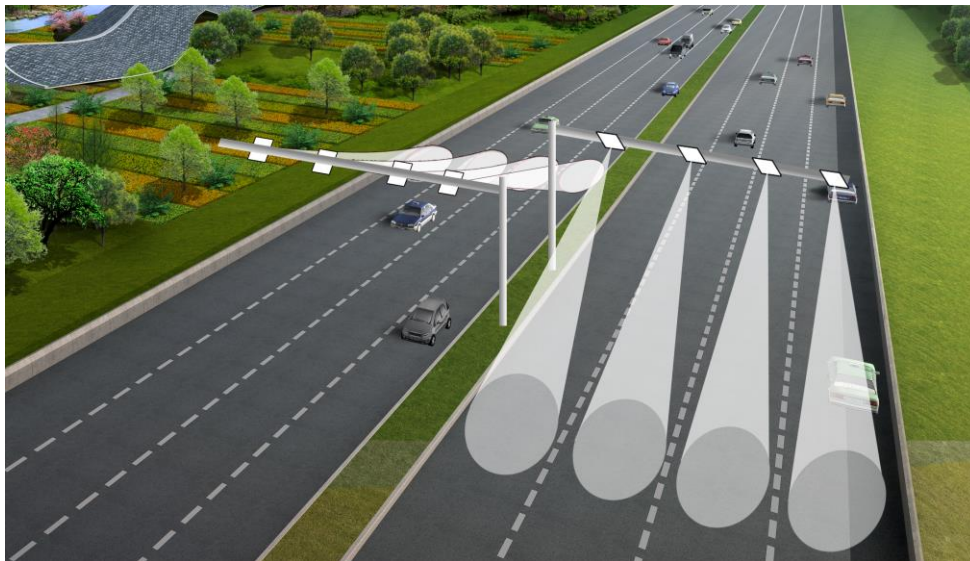
Main features

- ▶ High performance radar operates in 24GHz ISM Band;
- ▶ Special microstrip antenna design effectively avoids interference from adjacent channel target;
- ▶ Accurate speed and distance measurement for multiple targets;
- ▶ High dynamic speed measurement range with very high capture rate;
- ▶ Add WiFi to set parameters simply and fast;
- ▶ Advanced DSP technology, highly accurate speed measurement & very low false alarm rate;
- ▶ Simple installation and convenient in maintenance;
- ▶ Sensor performance unaffected by harsh weather conditions.

Typical application



Application diagram



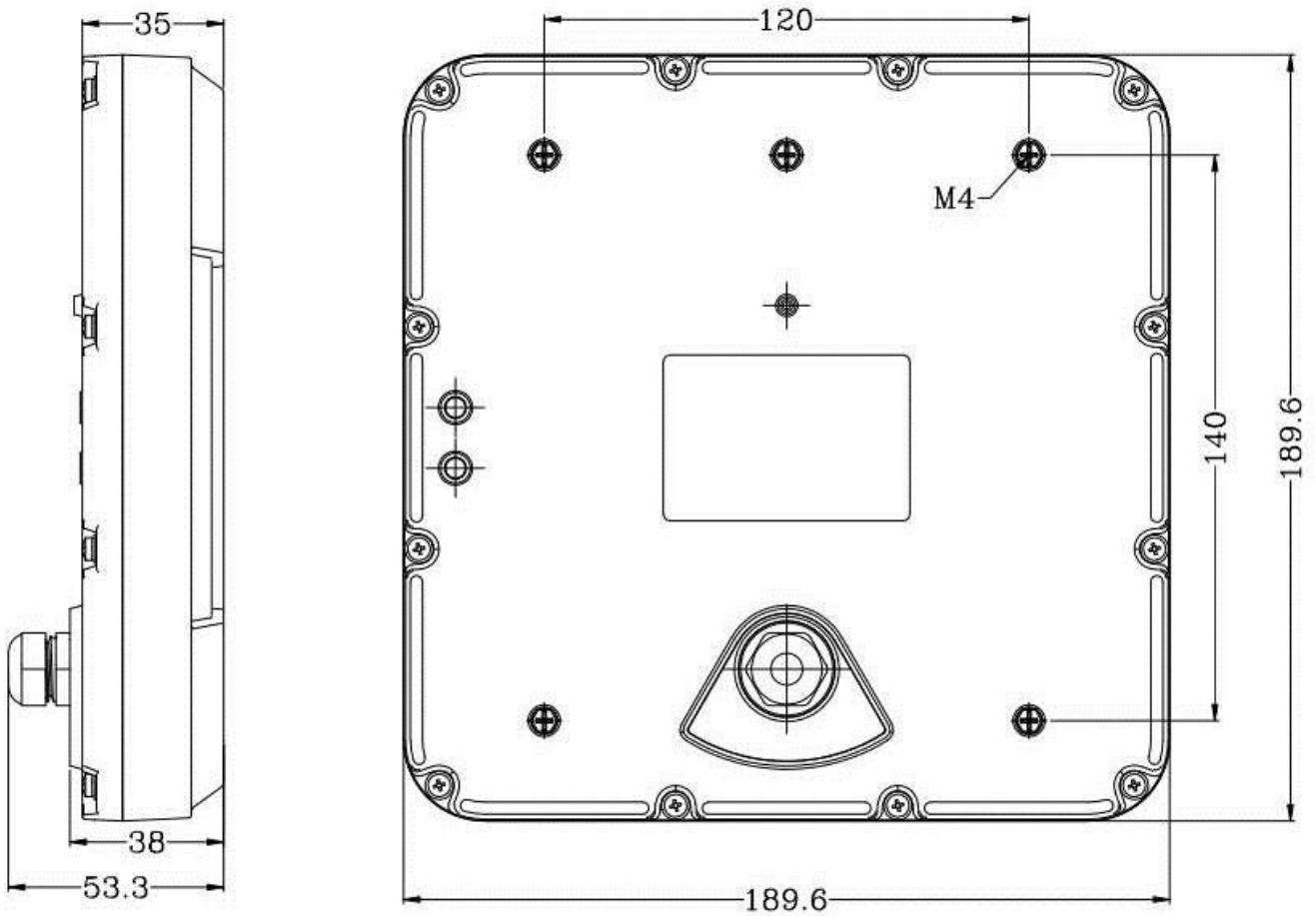
Roads application

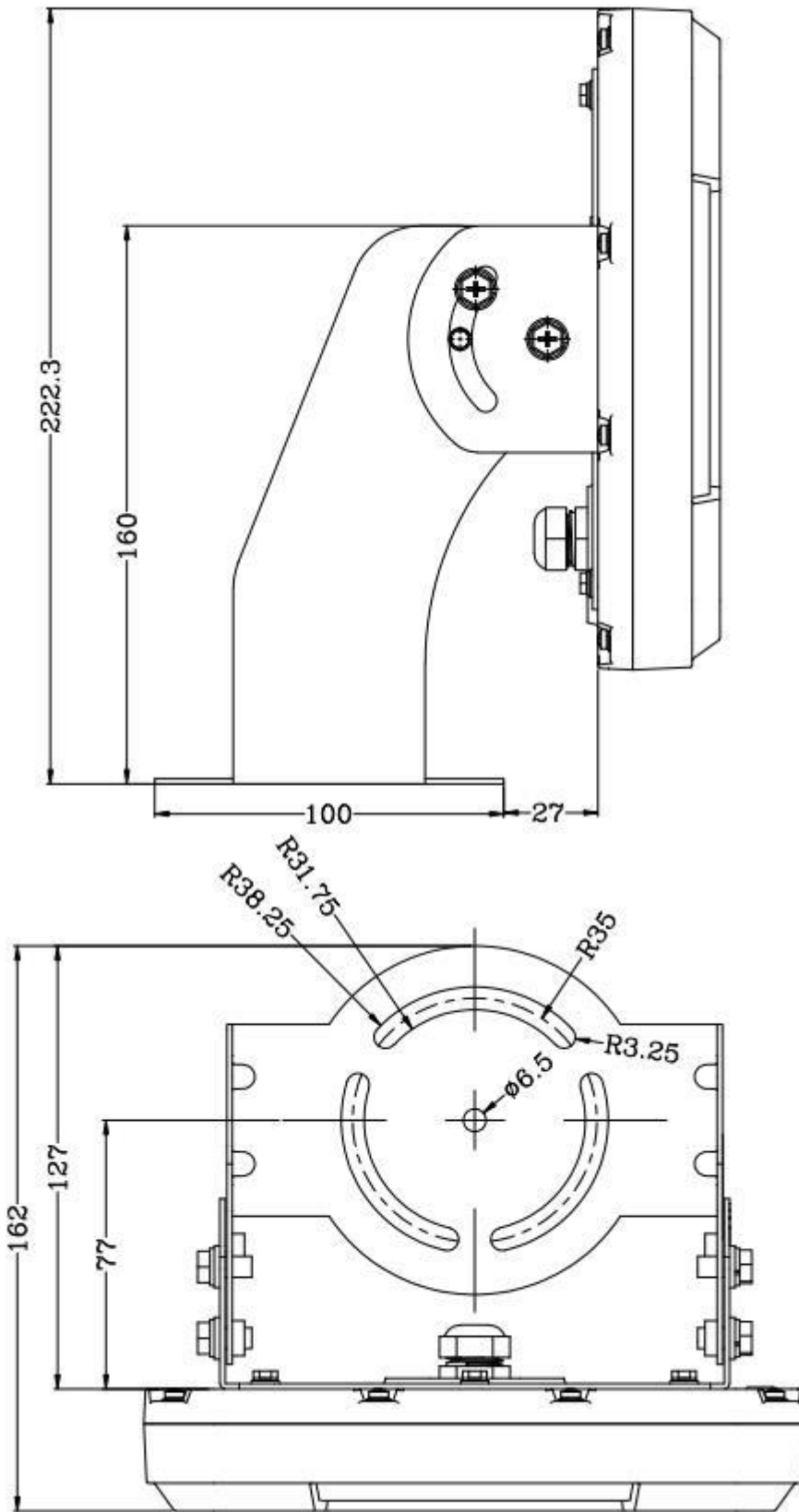
Technical parameters

- Central Frequency: 24.15GHz
- Central Frequency Deviation: $\leq \pm 45\text{MHZ}$
- Antenna Beam Width: $6^\circ \times 6^\circ$
- Capture distance: single lane 18~28m
- Velocity range: 10km/h~250km/h
- Degree of exactitude: (-4~0) km/h

- Triggering accuracy: $\leq \pm 1\text{m}$
- Communication Interface: RS485(RS232 optional)
- Temp range: $-40^{\circ}\text{C} \sim +70^{\circ}\text{C}$
- Humidity range: 5%RH \sim 95%RH
- Power Supply: 9 V \sim 12V DC

Overall dimensions





Unit: mm

HIKVISION®**Headquarters**

No.555 Qianmo Road, Binjiang District,
Hangzhou 310051, China
T +86-571-8807-5998
overseasbusiness@hikvision.com

Hikvision USA
T +1-909-895-0400
sales.usa@hikvision.com

Hikvision Italy
T +39-0438-6902
info.it@hikvision.com

Hikvision Singapore
T +65-6684-4718
sg@hikvision.com

Hikvision Africa
T +27 (10) 0351172
sale.africa@hikvision.com

Hikvision Europe
T +31-23-55-42-770
info.eu@hikvision.com

Hikvision France
T +33(0)1-85-330-450
info.fr@hikvision.com

Hikvision Oceania
T +61-2-8599-4233
salesau@hikvision.com

Hikvision Hong Kong
T +852-2151-1761

Hikvision Middle East
T +971-4-8816086
salesme@hikvision.com

Hikvision Spain
T +34-91-737-16-55
info.es@hikvision.com

Hikvision Canada
T +1-909-895-0400
sales.usa@hikvision.com

Hikvision Russia
T +7-495-669-67-99
saleru@hikvision.com

Hikvision Poland
T +48-22-460-01-50
poland@hikvision.com

Hikvision Korea
T +82-31-731-8841
sales.korea@hikvision.com

Hikvision India
T +91-22-28469900
sales@pramahikvision.com

Hikvision UK
T +01628-902140
support.uk@hikvision.com

Hikvision Brazil
T +55 11 3318-0050
Latam.support@hikvision.com