

## DS-TSC300-44H Traffic Controller

DS-TSC300-44H Traffic Controller is based on ARM9 series 32bit Chip control , which has strong control and communication function , both the hardware and software are using modular design method. The operation system are using auto tailor flushboarding Linux system , also supports remote upgrading and maintenance via the network port.

The controller includes mainframe, distribution unit and cabinet. The mainframe includes main control panel, and light control panel, yellow flash panel, control and display panel, connected with trunk.

The controller supports manually control, wireless control, multi-period control, green wave control, interaction reaction control, and public transportation priority control , which can be remote managed by control center.



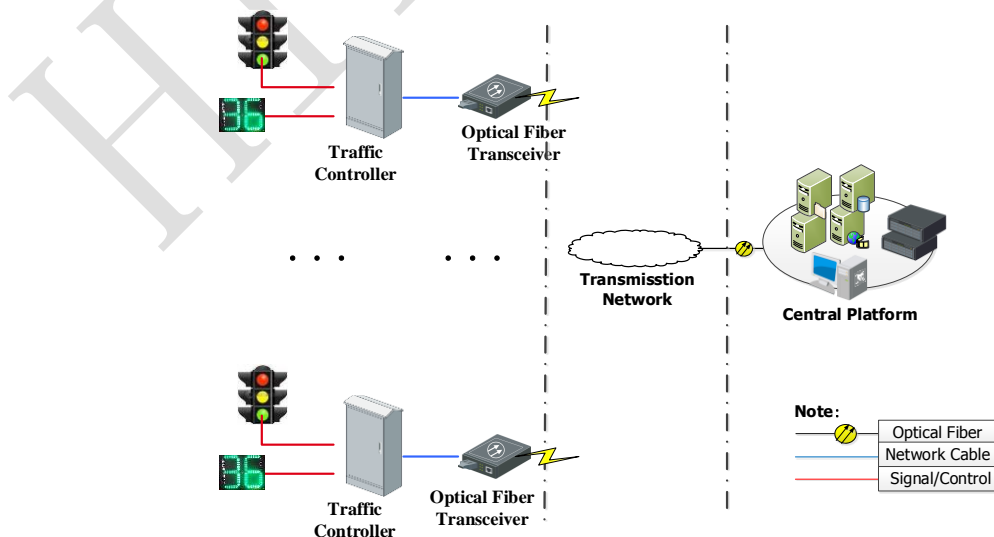
### Product Description

DS-TSC300-44H Entry level traffic controller , support 44-chs , including cabinet.

### Key Features

- Using ARM9 series 32bit chip , which can provide strong calculate and communication ability;
- Modular design method , easy to install and maintenance;
- Using controllable silicon to control the signal light , keeping the device stable;
- Using open, standard communication protocol, easy to extend;
- Equipped with control and display panel, which can real-time monitor and manually adjust the signal status;
- Auto monitor for the status of communication devices and light device, it will alert when problem happens and react automatically;
- Equipped with independent yellow flash controller, not controlled by firmware , enhancing the security ;
- GPS Timing ( Optional ) ;

### Typical Application



## Specification

| Items                         | Spec   |
|-------------------------------|--|
| Signal Light Output           | 44-chs independent control output ,<br>Signal Channel Consumption 800W                           |
| Vehicle Detect Panel          | N/A  |
| Light Control Panel           | 4  |
| Cabinet                       | 1  |
| GPS Interface ( Optional )    | 1 GPS Satellite Signal Real-time Timing ( Optional )   |
| Network Interface             | 1 100M Ethernet Interface  |
| Other Interfaces              | 2 RS-232; 2 RS-485; 1 USB  |
| External Input                | Support 8-chs Pedestrian Button Input  |
| Wireless Control Interface    | Support  |
| Operating Voltage             | AC220V±44V , 50Hz±2Hz  |
| Operating Ambient Temperature | -40°C ~ +70°C  |
| Operating Ambient Humidity    | 45%~95% , non-condensing   |
| Power Dissipation             | <35W   |
| Dielectric Strength           | > 100MΩ  |
| Level of Protection           | IP54 (Cabinet)   |
| Dimensions                    | Mainframe : 482.5mm(W)×221mm(H)×290mm(L)<br>Controller ( Cabinet ) : 600mm(W)×1084mm(H)×450mm(L) |

## Dimensions

