

iDS-TCE300_900-A(6)

Intersection Violation High Performance ANPR Camera



DeepinView

- 3 MP (1/1.8" GMOS), 2064 × 1544@ 50 fps
- 9 MP (1" GMOS), 4096 × 2160@ 30 fps
- Color: 0.001 Lux @ (F1.4, AGC ON)
- H.265, H.264, MJPEG
- 60 dB SNR
- 3D DNR
- Alarm I/O
- 3 RS-485 interfaces
- Built-in microSD/TF card, up to 128 GB
- Two defined streams
- License plate recognition
- IP66
- Larger than 99% for detection sensitivity
- Larger than 97% for LPR accuracy



Superiority

- Dedicated camera for ANPR
 - HD resolution
 - Professional shutter speed control
- Built-in ANPR engine, equipped with deep learning algorithm
- Multiple detection and recognition
 - Vehicle type recognition
 - Vehicle color recognition

Application

Support detecting the following violation behaviors:

- Running the red light
- Wrong-way driving
- Illegal lane change
- Solid line driving
- Driving in wrong lane at intersection
- Illegal U-turn detection

Scenarios

- Intersection
- T junction
- Other red light road

Specification

Camera	iDS-TCE300-A6	iDS-TCE900-A
Image Sensor	1/1.8" GMOS	1" GMOS
Min. Illumination	Color: 0.001 Lux @ (F1.4, AGC ON)	
Shutter Speed	50 us-20000 us	50 us-40000 us
Digital Noise Reduction	3D DNR	
SNR	60 dB	
Lens		
Focal length	11 mm-40 mm	16 mm
Aperture	F1.4	F1.8
Focus	Manual	
FOV	CS-mount Horizontal field: 36.7~11.5° Vertical field: 23.9~7.6°	CS-mount Horizontal field: 41.12° Vertical field: 31°
	C-mount (adapter ring needed)	
Supplement Light	3 LED supplement lights (strobe), angle: 40°, light supplement for license plate up to 30 m far away	
Compression Standard		
Video Compression	Main stream: H.265/H.264/ MJPEG Sub stream: H.265/H.264/MJPEG	
H.264 Type	Baseline profile/Main profile/High profile	
H.265 Type	Baseline profile/Main profile/High profile	
Video Bit Rate	32 Kbps to 16 Mbps	
Audio Compression	No	
Audio Bit Rate	No	
Smart Feature		
Recognition	License Plate Recognition	
Coverage	1 lane	2-3 lanes
Trigger Mode	External I/O trigger, video trigger	
Supplement Light Type	External strobe/flash/continuous light	
Traffic Light Detection Mode	Signal detector analysis/video analysis	
Smart Function	Vehicle type classification, color identification, no-plate vehicle capture, vehicle driving direction detection	
Illegal Violation Detection	Running the red light, Wrong-way driving, Illegal lane change, Solid line driving, Driving in wrong lane at intersection, Illegal U-turn detection	
Not Yield to Pedestrians before Crossing Line Detection	Not support	Supported
Road Traffic and Vehicle Detection		
Country/Region	Mid-East: United Arab Emirates (Abu Dhabi, Fuchaiha, Dubai, Cape Haima, Ozhman, Sharjah, Umgavan), Qatar, Iran, Iraq, Egypt, Jordan, Kuwait, Saudi Arabia, Pakistan, Oman, Lebanon, Bahrain Africa: Nigeria, Kenya, Cote d'Ivoire, South Africa, Tanzania, Mauritius, Morocco, Tunisia, Sierra Leone, Zambia, Ghana, Zimbabwe, Uganda, Angola, Ethiopia, Senegal, Algeria	

	<p>Asia-Pacific: Australia, New Zealand, Indonesia, Malaysia, Singapore, South Korea, Thailand, Vietnam, Philippines, Hong Kong, Macao, Taiwan, Burma, India, Mongolia, Cambodia, Laos, Bangladesh</p> <p>America: United States of America, Canada, Argentina, Chile, Paraguay, Uruguay, El Salvador, Bolivia, Colombia, Brazil, Ecuador, Peru, Mexico, Panama, Costa Rica, Trinidad and Tobago, Dominican, Guatemala</p> <p>Europe: Turkey, Croatia, Slovakia, Czech Republic, Bulgaria, Macedonia, Hungary, Greece, Poland, France, Netherlands, Switzerland, Spain, Britain, Ireland, Germany, Italy, Austria, Israel, Palestine, Belgium, Luxembourg</p> <p>Russian-Speaking Regions: Azerbaijan, Belarus, Kazakhstan, Lithuania, Georgia, Estonia, Latvia, Russian Federation, Ukraine, Moldova, Uzbekistan, Kyrgyzstan, Armenia, Albania, Kosovo</p>	
Accuracy (Under recommended installation and lighting conditions)	<p>Capture rate > 98% Vehicle moving direction recognition accuracy > 98.5% LPR accuracy > 98% Mistaken capture rate < 2%</p> <p>European and Russian-Speaking Regions: LPR accuracy > 98% Country/Region recognition accuracy > 95%</p>	
No License Plate Detection	Supported	
Motorbike LPR	Supported	
Vehicle Type	Car/Van/Bus/Truck/Others	
Vehicle Color	Red, yellow (including orange), green, blue, purple, brown, white, grey (including silvery), black	
License Plate Color Recognition	Customized to support	
Image		
Max. Resolution	2064 × 1544	4096 × 2160
Main Stream	50 Hz: 50 fps (2064 × 1544, 2048 × 1536, 1920 × 1080) 60 Hz: 30 fps (2064 × 1544, 2048 × 1536, 1920 × 1080)	50 Hz: 25 fps (4096 × 2160、1920 × 1080P、1280 × 720) 60 Hz: 30 fps (4096 × 2160、1920 × 1080P、1280 × 720)
Sub-Stream	1920 × 1080, 1920 × 1080, 704 × 576, 352 × 288	1920 × 1080, 704 × 576
Image Enhancement	BLC, HLC, 3D DNR	
Image Setting	Rotate mode, saturation, brightness, contrast, sharpness, AGC and white balance are adjustable by client software or web browser	Saturation, brightness, contrast, sharpness, AGC and white balance are adjustable by client software or web browser
Video Compression	H.264 and H.265 encoding	
Day/Night Switch	Manual switch/Auto switch by bright threshold/Schedule switch by Time	
Picture Overlay	LOGO picture can be overlaid on video with 128 × 128 24-bit bmp format.	
Network		
Network Storage	microSD/TF card (128 GB), local storage and CVR,NVR, ANR	
Alarm Trigger	Network disconnected/IP address conflicted/Vehicle detector exception	
Protocols	TCP/IP, HTTP, HTTPS, FTP, DNS, DDNS, RTP, RTSP, RTCP, NTP, UPnP, IPv6, UDP	

Security Measures	Password protection, HTTPS encryption, digest authentication for HTTP/HTTPS, digest authentication for ONVIF(Version 2.1)
General Function	One-key reset, two streams, password protection , watermark
API	ONVIF (Version 2.1, PROFILE S, PROFILE G), ISAPI, SDK
Simultaneous Live View	Up to 6 channels
User/Host	Up to 32 users 3 user levels: administrator, operator and user
Client	iVMS-8600, iVMS-4200 (Only for video live view and LPR information search)
Web Browser	IE8-IE11, plug-in free live view supported
Interface	
Audio	No
Communication Interface	2 RJ45 10M/100M/1000M self-adaptive Ethernet interfaces 3 RS-485 interfaces (half duplex, HIKVISION) 1 RS-232 interface
Alarm	4 input interfaces , 6 output interfaces
Video Output	Network , BNC
BNC	CVBS analog output (4CIF resolution), internal
On-board storage	Built-in micro SD/TF card, up to 128 GB
Reset Button	Supported
GPS	Optional
General	
Firmware Version	V4.3.1
Operating System	Linux
Certifications	CE, FCC, RoHS
Operating Conditions	Temperature: -40 °C to +60 °C (-40 °F to +140 °F) Humidity: 95% or less (non-condensing)
Power Supply	24 VDC ± 20%/100 to 240 VAC
Protection level	IP66
Heater	Supported
Material	Aluminum alloy
Dimensions	With package: 191.83 × 139.83 × 525.69 mm(7.55" × 5.51" × 20.70")
Weight	Camera: approx. 4.4kg ± 0.5 kg(9.7±1.1lb)
Power Consumption	<= 20 W

* Listed resolutions are only selectable options. It does not mean that all streams can work at their maximum resolution at the same time.

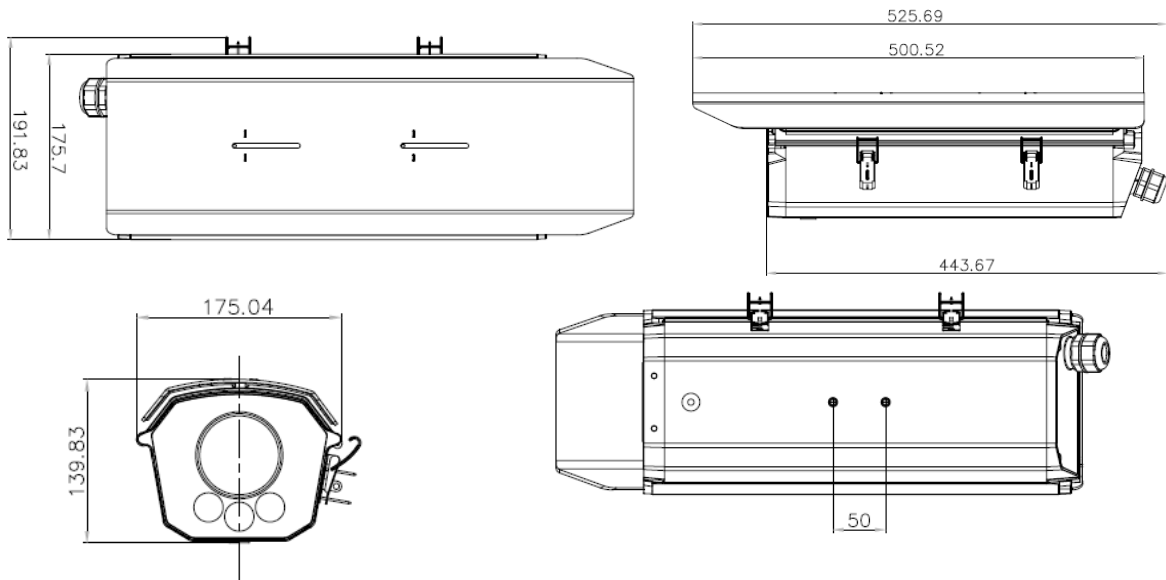
Available Model

iDS-TCE300-A6/1140/H1

iDS-TCE900-A/16/H1

Dimension

-H1:



Unit: mm

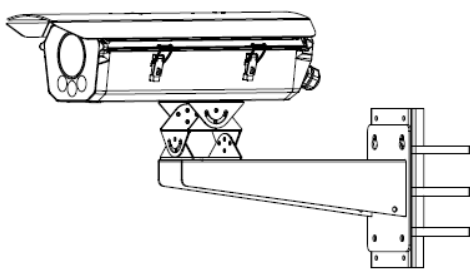
Accessory



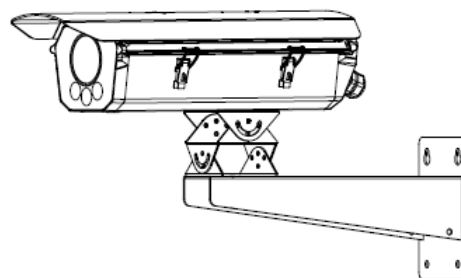
DS-1275ZJ-HWB/600mm
DS-1130-HWB/110-300



DS-1701ZJ/HWB



Pillar-mounted



Wall-mounted

Distributed by

**HIKVISION®****Headquarters**

No.555 Qianmo Road, Binjiang District,
Hangzhou 310051, China
T +86-571-8807-5998
overseasbusiness@hikvision.com

Hikvision USA
T +1-909-895-0400
sales.usa@hikvision.com

Hikvision Australia
T +61-2-8599-4233
salesau@hikvision.com

Hikvision India
T +91-22-28469900
sales@pramahikvision.com

Hikvision Canada
T +1-866-200-6690
sales.canada@hikvision.com

Hikvision Thailand
T +662-275-9949
sales.thailand@hikvision.com

Hikvision Europe
T +31-23-5542770
sales.eu@hikvision.com

Hikvision Italy
T +39-0438-6902
info.it@hikvision.com

Hikvision Brazil
T +55 11 3318-0050
Latam.support@hikvision.com

Hikvision Turkey
T +90 (216)521 7070- 7074
sales.tr@hikvision.com

Hikvision Malaysia
T +601-7652-2413
sales.my@hikvision.com

Hikvision UK & Ireland
T +01628-902140
sales.uk@hikvision.com

Hikvision South Africa
Tel: +27 (10) 0351172
sale.africa@hikvision.com

Hikvision France
T +33(0)1-85-330-450
info.fr@hikvision.com

Hikvision Kazakhstan
T +7-727-9730667
nikia.panfilov@hikvision.ru

Hikvision Vietnam
T +84-974270888
sales.vt@hikvision.com

Hikvision UAE
T +971-4-4432090
salesme@hikvision.com

Hikvision Singapore
T +65-6684-4718
sg@hikvision.com

Hikvision Spain
T +34-91-737-16-55
info.es@hikvision.com

Hikvision Tashkent
T +99-87-1238-9438
uzb@hikvision.ru

Hikvision Hong Kong
T +852-2151-1761
info.hk@hikvision.com

Hikvision Russia
T +7-495-669-67-99
saleru@hikvision.com

Hikvision Korea
T +82-(0)31-731-8817
sales.korea@hikvision.com

Hikvision Poland
T +48-22-460-01-50
info.pl@hikvision.com

Hikvision Indonesia
T +62-21-2933759
Sales.Indonesia@hikvision.com

Hikvision Colombia
sales.colombia@hikvision.com