

# DS-TD10M-1

## Multi-Target Speed-measuring Radar

**HIKVISION**<sup>®</sup>



### Introduction

Adopting advanced and accurate speed measuring technology, the radar can measure the speed of multiple vehicles in real time. Integrated with microwave high-accuracy positioning technology, the capture triggered positions are accurate and consistent. The radar can measure distance, track the distances of multiple targets, and provide triggering signals to realize that the vehicles of different speeds, sizes, types, and lanes can be triggered to be captured at fixed point (adjustable). It is applicable to multiple traffic environments such as gantry, tunnel portal, overpass bottom, etc., and it can provide accurate, reliable, and real-time traffic information to guarantee the normal operation of traffic management system.

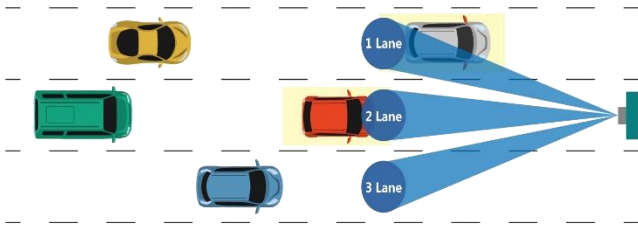
### Available Model

DS-TD10M-1

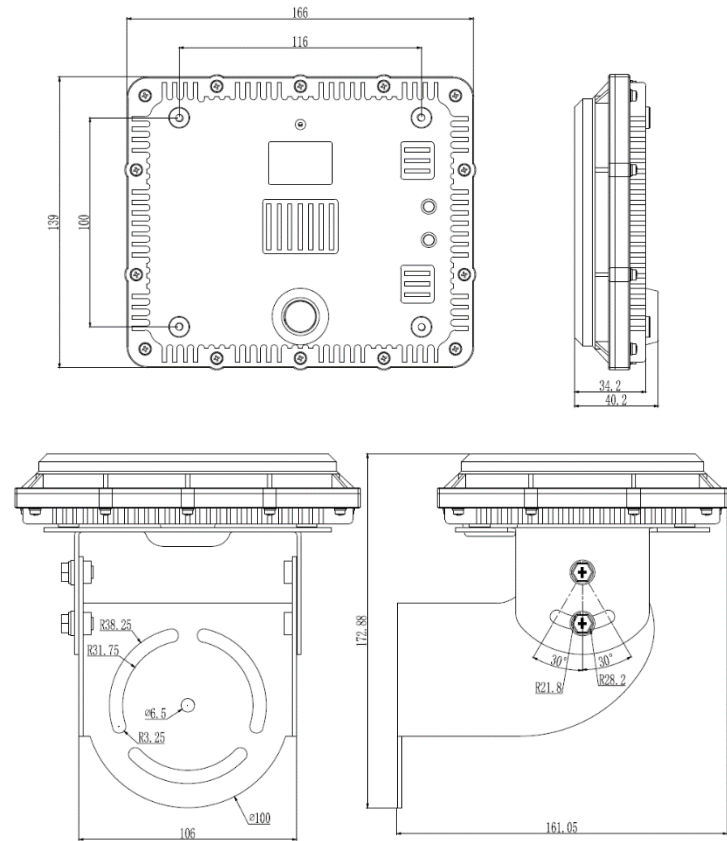
### Specification

Working Frequency Range	24.05 to 24.25 GHz
Modulation Waveform	FMCW
Beam Width	35° × 16°
Speed Measuring Range	10 to 250 km/h
Speed Measuring Error	-4 to 0 km/h
Capture Distance	18 to 28 m (adjustable)
Trigger Consistency	≤ ±1 m
Trigger Mode	Approaching, leaving, bidirectional
Capture Rate	≥ 95%
Supported Number of Lane	1 to 3
Communication Interface	RS-485, Wi-Fi
Supported Number of Target	32
Working Voltage	9 to 12 VDC
Working Current	< 800 mA
Consumption	< 10 W
Working Temperature	-40 °C to +70 °C (-40 °F to +158 °F)

**Typical Application**



**Dimension**



Unit: mm

Distributed by



**Headquarters**

No.555 Qianmo Road, Binjiang District,  
Hangzhou 310051, China  
T +86-571-8807-5998  
overseasbusiness@hikvision.com

**Hikvision USA**  
T +1-909-895-0400  
sales.usa@hikvision.com

**Hikvision Australia**  
T +61-2-8599-4233  
salesau@hikvision.com

**Hikvision India**  
T +91-22-28469900  
sales@pramahikvision.com

**Hikvision Canada**  
T +1-866-200-6690  
sales.canada@hikvision.com

**Hikvision Thailand**  
T +662-275-9949  
sales.thailand@hikvision.com

**Hikvision Europe**  
T +31-23-5542770  
sales.eu@hikvision.com

**Hikvision Italy**  
T +39-0438-6902  
info.it@hikvision.com

**Hikvision Brazil**  
T +55 11 3318-0050  
Latam.support@hikvision.com

**Hikvision Turkey**  
T +90 [216]521 7070- 7074  
sales.tr@hikvision.com

**Hikvision Malaysia**  
T +601-7652-2413  
sales.my@hikvision.com

**Hikvision UK & Ireland**  
T +01628-902140  
sales.uk@hikvision.com

**Hikvision South Africa**  
Tel: +27 (10) 0351172  
sale.africa@hikvision.com

**Hikvision France**  
T +33(0)1-85-330-450  
info.fr@hikvision.com

**Hikvision Kazakhstan**  
T +7-727-9730667  
nikia.panfilov@hikvision.ru

**Hikvision Vietnam**  
T +84-974270888  
sales.vt@hikvision.com

**Hikvision UAE**  
T +971-4-4432090  
salesme@hikvision.com

**Hikvision Singapore**  
T +65-6684-4718  
sg@hikvision.com

**Hikvision Spain**  
T +34-91-737-16-55  
info.es@hikvision.com

**Hikvision Tashkent**  
T +99-87-1238-9438  
uzb@hikvision.ru

**Hikvision Hong Kong**  
T +852-2151-1761  
info.hk@hikvision.com

**Hikvision Russia**  
T +7-495-669-67-99  
saleru@hikvision.com

**Hikvision Korea**  
T +82-(0)31-731-8817  
sales.korea@hikvision.com

**Hikvision Poland**  
T +48-22-460-01-50  
info.pl@hikvision.com

**Hikvision Indonesia**  
T +62-21-2933759  
Sales.Indonesia@hikvision.com

**Hikvision Colombia**  
sales.colombia@hikvision.com