

SL-1211-2I (850nm) Supplement Light



SL-1211-2I(850nm) light is a supplement light with imported infrared by gas discharge, which supplements light simultaneously with capturing picture, controlled by high-definition intelligent cameras.

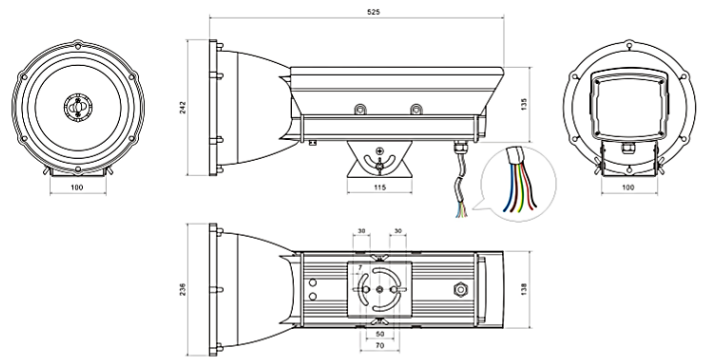
Key features including:

- High level of consistency between each flash brightness;
- Support continuous flash for 800 us, the brightness difference between each flash no more than 10 %(the flash number within 500ms shall not exceed the threshold of false trigger, the default number is 3)
- Support TTL level trigger manner (5v level, low level trigger) and switch trigger.
- Support brightness level switching function (Reduce light pollution and extend service life by switching supplement light to low level brightness flash model automatically by brightness control)
- Support trigger frequency statistics
- Support false triggering signal shielding function



Dimensions

Unit: mm



Specification

Supplement Light	
Power Supply	100 to 230 VAC
Wave Length	≥ 850 nm (Infrared)
Effective Distance	18 to 25 m
IR Light Transmittance	60% to 70%
Coverage	Single lane
Flash Energy (J)	Max. 200 J
Operating Temperature	-25 °C to 70 °C (-13 to 158 °F)
Operating Humidity	20% to 90%, no condensation
Trigger Manner	TTL level and switch trigger
Service Life	≥ 10 million times
Synchro Speed	< 1/1000 s
Time of Duration	800 us
Response Time	Max. 65 ms
Rated Current of Fuse	< 3.0 A
Other Functions	Strobe interval protection
Ingress Protection	IP65
Dimension (W × H × D)	520 × 242 × 236 mm (20.5 × 9.5 × 9.3 inch)
Weight	4.5 kg (9.9 lb)