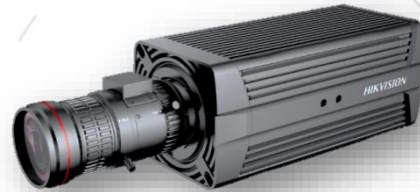


## IDS-2CD9396-AIS Highly Performance Checkpoint Camera



### Superiority

- Dedicated camera for ANPR
  - HD resolution
  - Integrated IR
  - Professional shutter speed control
- Built-in ANPR engine, equipped with deep learning algorithm
- Multiple detection and recognition
  - Vehicle type recognition
  - Vehicle color recognition
  - Vehicle Manufacturer
  - Radar speed measurement



### Application

- Vehicle control
- Traffic monitoring
- Toll collection
- Security

### Scenarios

- Highway
- Tunnel
- Toll station
- Urban road

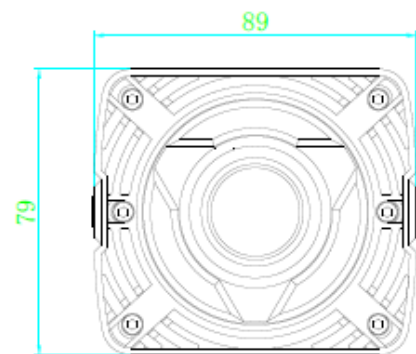
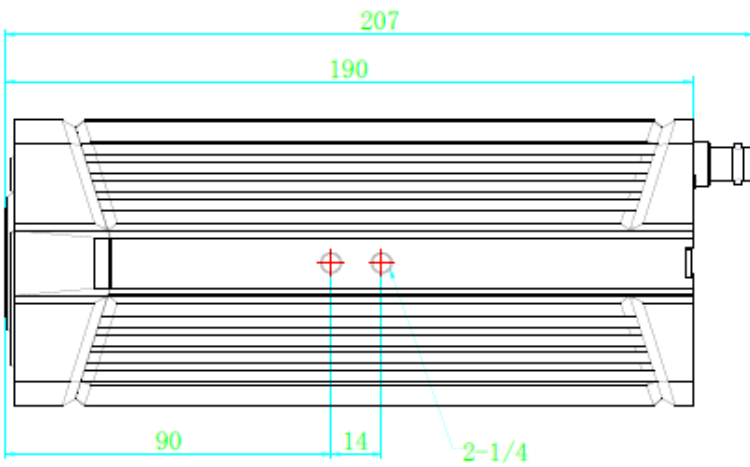
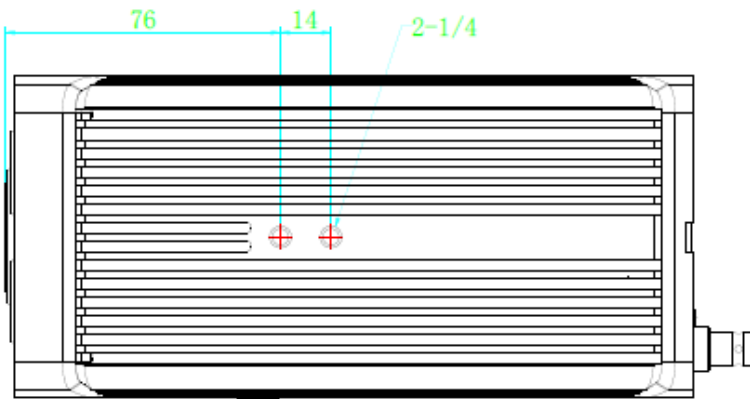


## Specifications

Model	iDS-2CD9396-AIS
<b>Software Features and Performance</b>	
Working Distance	Up to 27 m(with 25 mm focal length)
Coverage	2~3 lanes
Detection Sensitivity	99%
LPR Accuracy	> 97%
LPR Region	Mid-East, Africa, Asia-Pacific, India, America, Europe, Russian-Speaking Countries, UK
Supplement Light	Strobe light/Xenon flash light
OCR	On-board ANPR engine
Frame rate	25fps
Vehicle Type	Car/Van/Bus/Truck/Others
Vehicle Color	Recognizable at daytime only
Vehicle Manufacturer	Support
Capture Speed Range	5 to 250 km/h
Video Compression	H.265/H.264/MJPEG
Streaming	RTSP
<b>Configuration</b>	
Web Server	Support
TCP/IP Server	SDK
Time Synchronization	NTP/GPS/Manually
Software Update	Web/SDK
<b>Data Transmission</b>	
FTP	FTP, Multiple FTP
Standard Protocols	TCP/IP, HTTP, HTTPS, FTP, DNS, DDNS, RTP, RTSP, RTCP, NTP, UPnP, IPv6, UDP
Serial Port	3 RS-485 ports, 1 RS-232 port
Data Output	SDK/ISAPI
<b>Trigger Mode</b>	
By Video	Continuous video analysis with automatic vehicle detection, even without plate.
By External Interfaces	I/O, RS-485
<b>System</b>	
ANPR Camera	9 MP (1" GMOS), max. 4096 × 2160
Programming Interface	ONVIF (Version 2.1), ISAPI
Lens	CS-Mount, 25 mm horizontal field:41.12° ,vertical field:31° ,C-Mount (with adapter ring needed)
Operating System	Linux
Digital I/O	4-ch inputs, 6-ch outputs
Communication Interface	2 RJ45 10M/100M/1000M self-adaptive Ethernet interfaces
Storage	TF card, up to 128 GB
GPS	Optional
<b>Technical Data</b>	
Certifications	CE, FCC
Operating & Storage	-30 °C to +70 °C(-22 °F to +158 °F)

Temperature	-30 °C ~ 70 °C(-22°F to +158°F)
Operating & Storage Humidity	5% to 95%@+40 °C (+104 °F), non-condensing
Power Supply	12-24V DC
Power Consumption	< 30 W

**Dimensions**



**Available Models**

iDS-2CD9396-AIS