

## DS-2XM6112G0-I(D)(M)(/ND) 1.3 MP Mobile Network Camera



- High quality imaging with 1.3 MP resolution
- Clear imaging against strong back light due to 120 dB true WDR technology
- Efficient H.265+ compression technology
- Water and dust resistant (IP66) and vandal proof (IK08)
- Advanced streaming technology that enables smooth live view and data self-correcting in poor network
- 3D DNR technology delivers clean and sharp images
- Hik-Connect cloud service and APP for remote management and views of devices



## ▪ Specification

| Camera                      |  |
|-----------------------------|--|
| Image Sensor                | 1/2.8" Progressive Scan CMOS   |
| Min. Illumination           | 0.01 Lux @(F1.2, AGC ON), 0 Lux with IR  |
| Shutter Speed               | 1 s to 1/100,000 s   |
| Slow Shutter                | Yes  |
| P/N                         | P/N  |
| Wide Dynamic Range          | 120dB  |
| Day & Night                 | IR cut filter  |
| Power-off Memory            | Yes  |
| Angle Adjustment            | Pan: 0° to 355°, tilt: 0° to 75°, rotate: 0° to 355°   |
| Lens                        |  |
| Focus                       | No   |
| Lens Type & FOV             | 2.8 mm: horizontal FOV 102°, vertical FOV 54°, diagonal FOV 118°<br>4 mm: horizontal FOV 77°, vertical FOV 42°, diagonal FOV 91°<br>6 mm: horizontal FOV 50°, vertical FOV 27°, diagonal FOV 59° |
| Aperture                    | 2.8 mm: F2.0<br>4 mm: F2.0<br>6 mm: F1.6   |
| Lens Mount                  | M12  |
| Illuminator                 |  |
| IR Range                    | Up to 10 m   |
| Wavelength                  | 850 nm   |
| Smart Supplement Light      | Yes  |
| Video                       |  |
| Max. Resolution             | 1536 × 864   |
| Main Stream                 | 50Hz: 50 fps (1536 × 864, 1280 × 720, 704 × 576, 640 × 480)<br>60Hz: 60 fps (1536 × 864, 1280 × 720, 704 × 480, 640 × 480)   |
| Sub Stream                  | 50Hz: 25fps (704 × 576, 640 × 480, 352 × 288, 320 × 240)<br>60Hz: 30fps (704 × 480, 640 × 480, 352 × 240, 320 × 240)   |
| Third Stream                | 50Hz: 25fps (1536 × 864, 1280 × 720, 704 × 576, 640 × 480, 352 × 288, 320 × 240)<br>60Hz: 30fps (1536 × 864, 1280 × 720, 704 × 480, 640 × 480, 352 × 240, 320 × 240)                             |
| Fourth Stream               | No   |
| Fifth Stream                | No   |
| Custom Stream               | No   |
| Video Compression           | Main Stream: H.265/H.264<br>Sub-Stream: H.265/H.264/MJPEG<br>Third Stream: H.265/H.264   |
| Video Bit Rate              | 32 Kbps to 16Mbps  |
| H.264 Type                  | BaselLine Profile/Main Profile/High Profile  |
| H.265 Type                  | Main Profile   |
| H.264+                      | Main Stream supports   |
| H.265+                      | Main Stream supports   |
| Bit Rate Control            | CBR/VBR  |
| Stream Type                 | Main Stream/Sub-Stream/Third Stream  |
| Scalable Video Coding (SVC) | H.265 and H.264 support  |
| Region of Interest (ROI)    | 4 fixed regions for each stream, and dynamic face tracking   |
| Audio                       |  |
| Environment Noise Filtering | Yes  |

|                         |  |
|-------------------------|--|
| Audio Sampling Rate     | 8 kHz/16 kHz/32 kHz/44.1 kHz/48 kHz  |
| Audio Compression       | G.711/G.722.1/G.726/MP2L2/PCM  |
| Audio Bit Rate          | 64Kbps(G.711)/16Kbps(G.722.1)/16Kbps(G.726)/32-192Kbps(MP2L2)  |
| Audio Type              | Mono sound   |
| <b>Network</b>          |  |
| Simultaneous Live View  | Up to 20 channels  |
| API                     | ONVIF (PROFILE S, PROFILE G), ISAPI  |
| Protocols               | TCP/IP, ICMP, HTTP, HTTPS, FTP, DHCP, DNS, DDNS, RTP, RTSP, RTCP, PPPoE, NTP<br>UPnP, SMTP, SNMP, IGMP, 802.1X, QoS, IPv6, Bonjour   |
| Smooth Streaming        | Yes  |
| User/Host               | Up to 32 users<br>3 levels: Administrator, Operator and User   |
| Network Storage         | microSD/SDHC/SDXC card (128 GB) local storage, and NAS (NFS, SMB/CIFS), auto<br>network replenishment (ANR)<br>Together with high-end Hikvision memory card, memory card encryption and health<br>detection are supported. |
| Client                  | iVMS-4200, Hik-Connect, Hik-Central  |
| Web Browser             | Plug-in required live view: IE8+<br>Plug-in free live view: Chrome 57.0+, Firefox 52.0+, Safari 11;<br>Local service: Chrome 41.0+, Firefox 30.0-51  |
| <b>Image</b>            |  |
| Smart IR                | The IR LEDs on camera should support Smart IR function to automatically adjust power<br>to avoid image overexposure.   |
| Day/Night Switch        | Day, Night, Auto, Schedule   |
| Target Cropping         | Yes  |
| DNR                     | 3D DNR   |
| Picture Overlay         | LOGO picture can be overlaid on video with 128 × 128 24bit bmp format  |
| Image Enhancement       | BLC, HLC, 3D DNR, Defog, EIS   |
| Image Parameters Switch | Yes  |
| Image Settings          | Rotate mode, saturation, brightness, contrast, sharpness, gain, white balance<br>adjustable by client software or web browser  |
| SNR                     | > 50dB   |
| Privacy Mask            | 4 regions of privacy mask  |
| <b>Interface</b>        |  |
| Alarm                   | No   |
| Audio                   | 1 built-in microphone  |
| RS-485                  | No   |
| Video Output            | 1 Vp-p Composite Output (75Ω/CVBS)   |
| On-board Storage        | Built-in micro SD/SDHC/SDXC slot, up to 128 GB   |
| Hardware Reset          | Yes  |
| Communication Interface | Without -M: 1 RJ45 10M/100M self-adaptive Ethernet port<br>-M: 1 four-core M12 aviation plug   |
| Power Output            | No   |
| Heater                  | No   |

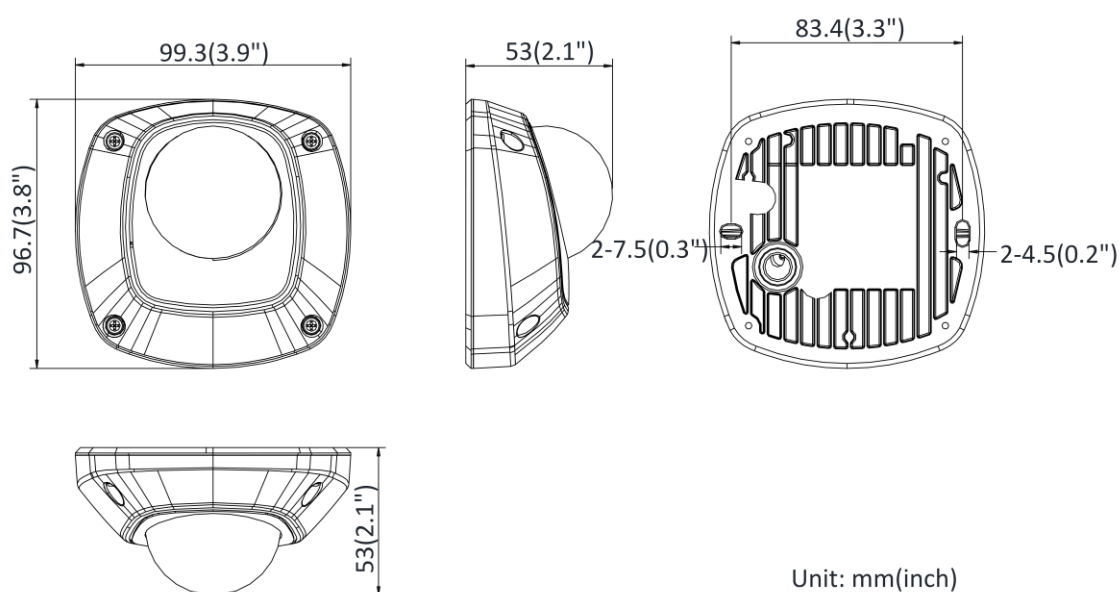
| Smart Feature-Set                |  |
|----------------------------------|--|
| Smart Event                      | Line crossing detection, up to 4 lines configurable<br>Intrusion detection, up to 4 regions configurable<br>Region entrance detection, up to 4 regions configurable<br>Region exiting detection, up to 4 regions configurable<br>Unattended baggage detection, up to 4 regions configurable<br>Object removal detection, up to 4 regions configurable<br>Face detection: detects faces and upload images<br>Scene change detection, defocus detection, audio exception detection |
| General                          |  |
| Online Upgrade                   | Yes  |
| Dual Backup                      | Yes  |
| Firmware Version                 | 5.5.85   |
| Web Client Language              | 32 languages<br>English, Russian, Estonian, Bulgarian, Hungarian, Greek, German, Italian, Czech, Slovak, French, Polish, Dutch, Portuguese, Spanish, Romanian, Danish, Swedish, Norwegian, Finnish, Croatian, Slovenian, Serbian, Turkish, Korean, Traditional Chinese, Thai, Vietnamese, Japanese, Latvian, Lithuanian, Portuguese (Brazil)   |
| General Function                 | Anti- flicker, 5 streams and up to 5 custom streams, heartbeat, mirror, privacy masks, flash log, password reset via e-mail, pixel counter   |
| Software Reset                   | Yes  |
| Embedded Open Platform           | No   |
| Linkage Method                   | Upload to FTP/NAS/memory card, notify surveillance center, send email  |
| Storage Conditions               | -30 °C to 60 °C (-22 °F to 140 °F). Humidity 95% or less (non-condensing)  |
| Startup and Operating Conditions | -30 °C to 60 °C (-22 °F to 140 °F). Humidity 95% or less (non-condensing)  |
| Power Supply                     | -ID, -IDM: 24 VDC<br>-I/ND, -IM/ND: PoE (802.3af, 36 V to 57 V)  |
| Power Consumption and Current    | -ID, -IDM: 24 VDC, 0.2 A, 5 W<br>-I/ND, -IM/ND: PoE(802.3af, 36 V to 57 V), 0.2 A to 0.1 A, class 3  |
| Power Interface                  | -I/ND: RJ45 interface, PoE power supply<br>-ID: Ø5.5 mm coaxial power plug, DC power supply<br>-IDM: two-core Molex connector, DC power supply<br>-IM/ND: four-core M12 aviation plug, PoE power supply  |
| Material                         | ADC12/PC   |
| Screw Material                   | SUS  |
| Camera Dimension                 | 99.3 × 96.7 × 52.8 mm (3.9" × 3.8" × 2.1")   |
| Package Dimension                | 252 × 160 × 95mm (9.9" × 6.3" × 3.7")  |
| Camera Weight                    | 430 g (0.9 lb.)  |
| With Package Weight              | 780 g (1.7 lb.)  |
| Approval                         |  |
| Class                            | Class B  |
| EMC                              | FCC (47 CFR Part 15, Subpart B);<br>CE-EMC (EN 55032: 2015, EN 61000-3-2: 2014, EN 61000-3-3: 2013, EN 50130-4: 2011 +A1: 2014);<br>RCM (AS/NZS CISPR 32: 2015);<br>IC (ICES-003: Issue 6, 2016);<br>KC (KN 32: 2015, KN 35: 2015)   |

|                        |   |
|------------------------|---|
| Safety                 | UL (UL 60950-1);<br>CB (IEC 60950-1:2005 + Am 1:2009 + Am 2:2013);<br>CE-LVD (EN 60950-1:2005 + Am 1:2009 + Am 2:2013);<br>BIS (IS 13252(Part 1):2010+A1:2013+A2:2015);<br>LOA (IEC/EN 60950-1) |
| Environment            | CE-RoHS (2011/65/EU);<br>WEEE (2012/19/EU);<br>Reach (Regulation (EC) No 1907/2006)   |
| Protection             | IP66 (IEC 60529-2013), IK08(IEC 62262:2002)   |
| Automotive and Railway | EN50155-2017(EN 50155:2017, EN 50121-3-2:2016, IEC 60068-2-1:2007, IEC 60068-2-2:2007, IEC 60068-2-30:2005, IEC 61373:2010);<br>EN45545 (EN 45545-2:2013+A1:2015);<br>E-MARK (ECE R10)          |

## ▪ Available Model

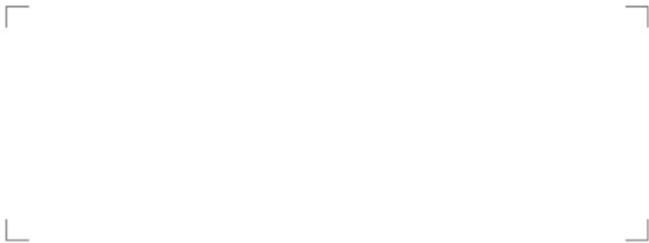
DS-2XM6112G0-IDM(2.8/4/6 mm), DS-2XM6112G0-ID(2.8/4/6 mm), DS-2XM6112G0-IM/ND(2.8/4/6 mm), DS-2XM6112G0-I/ND(2.8/4/6 mm)

## ▪ Dimension





Distributed by

**HIKVISION®****Headquarters**

No.555 Qianmo Road, Binjiang District,  
Hangzhou 310051, China  
T +86-571-8807-5998  
overseasbusiness@hikvision.com

**Hikvision USA**

T +1-909-895-0400  
sales.usa@hikvision.com

**Hikvision Australia**

T +61-2-8599-4233  
salesau@hikvision.com

**Hikvision India**

T +91-22-28469900  
sales@pramahikvision.com

**Hikvision Canada**

T +1-866-200-6690  
sales.canada@hikvision.com

**Hikvision Thailand**

T +662-275-9949  
sales.thailand@hikvision.com

**Hikvision Europe**

T +31-23-5542770  
sales.eu@hikvision.com

**Hikvision Italy**

T +39-0438-6902  
info.it@hikvision.com

**Hikvision Brazil**

T +55 11 3318-0050  
Latam.support@hikvision.com

**Hikvision Turkey**

T +90 (216)521 7070- 7074  
sales.tr@hikvision.com

**Hikvision Malaysia**

T +601-7652-2413  
sales.my@hikvision.com

**Hikvision UK & Ireland**

T +01628-902140  
sales.uk@hikvision.com

**Hikvision South Africa**

Tel: +27 (10) 0351172  
sale.africa@hikvision.com

**Hikvision France**

T +33(0)1-85-330-450  
info.fr@hikvision.com

**Hikvision Kazakhstan**

T +7-727-9730667  
nikia.panfilov@hikvision.ru

**Hikvision Vietnam**

T +84-974270888  
sales.vt@hikvision.com

**Hikvision UAE**

T +971-4-4432090  
salesme@hikvision.com

**Hikvision Singapore**

T +65-6684-4718  
sg@hikvision.com

**Hikvision Spain**

T +34-91-737-16-55  
info.es@hikvision.com

**Hikvision Tashkent**

T +99-87-1238-9438  
uzb@hikvision.ru

**Hikvision Hong Kong**

T +852-2151-1761  
info.hk@hikvision.com

**Hikvision Russia**

T +7-495-669-67-99  
saleru@hikvision.com

**Hikvision Korea**

T +82-(0)31-731-8817  
sales.korea@hikvision.com

**Hikvision Poland**

T +48-22-460-01-50  
info.pl@hikvision.com

**Hikvision Indonesia**

T +62-21-2933759  
Sales.Indonesia@hikvision.com

**Hikvision Colombia**

sales.colombia@hikvision.com