

DS-2XM6D52G0-I(M)(S)/ND 5MP Dual-Lens Network Camera



Key Features

- 1/2.7" Progressive Scan CMOS
- Dual lens, dual CPU
- Flexible Lens: P: -90° to 90°; T: 0° to 60° (2.8mm), 0° to 70° (4/6mm); R: 0° to 355°
- 2560 × 1920@30fps
- H.265, H.265+, H.264+, H.264
- 120dB WDR
- Built-in micro SD/SDHC/SDXC card slot, up to 256 GB
- IP67, IK10



Specifications

Camera	
Image Sensor	1/2.7" Progressive Scan CMOS
Min. Illumination	Color: 0.009 Lux @ (F1.6, AGC ON), 0 Lux with IR
Shutter Speed	1s to 1/100,000 s
Wide Dynamic Range	120dB
Day & Night	ICR Cut
Linkage Method	Upload to FTP/NAS/memory card, send email
Angle Adjustment	P: -90° to 90°; T: 0° to 60° (2.8mm), 0° to 70° (4/6mm); R: 0° to 355°
Lens	
Lens Type & FOV	2.8mm @ F1.6: horizontal FOV 97°, vertical FOV 70°, diagonal FOV 128° 4 mm @ F1.6: horizontal FOV 79°, vertical FOV 57°, diagonal FOV 104° 6 mm @ F1.6: horizontal FOV 49°, vertical FOV 35°, diagonal FOV 63°
Aperture	F1.6
Lens Mount	M12
Illuminator	
IR Range	Up to 10m
Wavelength	850nm
Smart Supplement Light	Yes
Video	
Max. Resolution	2560 × 1920
Main Stream	50Hz: 25fps ((2560 × 1920, 2048 × 1536); 60Hz: 30fps (2560 × 1920, 2048 × 1536)
Sub Stream	50Hz: 25fps (640 × 480, 704 × 576); 60Hz: 30fps (640 × 480, 704 × 480)
Third Stream	50Hz: 25 fps (1920 × 1080, 1280 × 720, 640 × 480, 704 × 576); 60Hz: 30 fps (1920 × 1080, 1280 × 720, 640 × 480, 704 × 480)
Video Compression	H.265/H.264/MJPEG
Video Bit Rate	32 Kbps to 16 Mbps
H.264 Type	Baseline Profile/Main Profile/High Profile
H.265 Type	Main Profile
H.264+	Main Stream supports
H.265+	Main Stream supports
Bit Rate Control	CBR/VBR
Stream Type	Main stream/Sub-stream/Third stream
Scalable Video Coding (SVC)	H.265 and H.264 support
Region of Interest (ROI)	4 fixed regions for each stream

Audio	
Environment Noise Filtering	Yes
Audio Sampling Rate	8 kHz/16 kHz/32kHz/44.1kHz/48kHz
Audio Compression	G.711/G.722.1/G.726/MP2L2/PCM
Audio Bit Rate	64Kbps(G.711) / 16Kbps(G.722.1) / 16Kbps(G.726) / 32-192Kbps(MP2L2)
Audio Type	Stereo
Network	
Simultaneous Live View	Up to 20 channels
API	ONVIF (PROFILE S, PROFILE G, PROFILE T), ISAPI, SDK, Ehome
Protocols	TCP/IP, ICMP, HTTP, HTTPS, FTP, SFTP, DHCP, DNS, DDNS, RTP, RTSP, RTCP, PPPoE, NTP, UPnP, SMTP, SNMP, IGMP, 802.1X, QoS, IPv6, UDP, Bonjour, SSL/TLS
User/Host	Up to 32 users3 levels: Administrator, Operator and User
Security	Password protection, complicated password, HTTPS encryption, 802.1X authentication (EAP-TLS, EAP-LEAP, EAP-MD5), watermark, IP address filter, basic and digest authentication for HTTP/HTTPS, WSSE and digest authentication for ONVIF, RTP/RTSP OVER HTTPS, Control Timeout Settings, TLS 1.2
Network Storage	NAS(NFS,SMB/ CIFS)
Client	iVMS-4200, Hik-Connect
Web Browser	Plug-in required live view: IE8+; Plug-in free live view: Chrome 57.0+, Firefox 52.0+, Safari 11+; Local service: Chrome 41.0+, Firefox 30.0+
Image	
Day/Night Switch	Day, Night, Auto, Schedule, Triggered by Alarm In (-S)
Picture Overlay	LOGO picture can be overlaid on video with 128 × 128 24bit bmp format
Image Enhancement	BLC,HLC,Defog,EIS,3D DNR
Image Parameters Switch	Yes
Image Settings	Saturation, brightness, contrast, sharpness, white balance
Privacy Mask	Yes
Interface	
Alarm	-S: 1 input, 1 output (max. 36 VDC, 30mA)
Audio	Without -S: 2 built-in mics -S: 2 built-in mics, 1 line in, 1 line out
RS-485	-S: 1 RS-485 interface, half duplex
On-board Storage	Built-in micro SD/SDHC/SDXC slot, up to 256 GB
Hardware Reset	Yes
Communication Interface	-I, -IS, -I/ND: 1 RJ45 10M/100/100M self-adaptive Ethernet port -IM, -IM/ND: 1 M12 10M/100M self-adaptive Ethernet port
Smart Feature-Set	
Smart Event	No

Intelligent (Traditional Algorithm)	
Basic Event	Motion detection, video tampering alarm, exception (network disconnected, IP address conflict, illegal login, HDD full, HDD error)
General	
Online Upgrade	Yes
Firmware Version	V5.5.94
Web Client Language	32 languages English, Russian, Estonian, Bulgarian, Hungarian, Greek, German, Italian, Czech, Slovak, French, Polish, Dutch, Portuguese, Spanish, Romanian, Danish, Swedish, Norwegian, Finnish, Croatian, Slovenian, Serbian, Turkish, Korean, Traditional Chinese, Thai, Vietnamese, Japanese, Latvian, Lithuanian, Portuguese (Brazil)
General Function	Mirror, privacy mask, anti-flicker, heartbeat
Software Reset	Yes
Storage Conditions	-30° to 60° (-22 °F to 140 °F). Humidity 95% or less (non-condensing)
Startup and Operating Conditions	-30° to 60° (-22 °F to 140 °F). Humidity 95% or less (non-condensing)
Power Supply	12 VDC, POE (802.3af)
Power Consumption and Current	12VDC, 0.9A, max. 10 W POE: (802.3af, 36V to 57V), 0.3 A to 0.2 A, max. 10 W
Power Interface	Φ5.5 mm coaxial power plug
Material	Metal
Camera Dimension	164.3 × 84.6 × 67.4 mm (6.5" × 3.3" × 2.7")
Package Dimension	227 × 172 × 125 mm (8.9" × 6.8" × 4.9")
Camera Weight	770g (1.7 lb.)
With Package Weight	1053g (2.3 lb.)
Approval	
Automotive and Railway	EN50155-2017 (EN 50155:2017, EN 50121-3-2:2016, IEC 60068-2-1:2007, IEC 60068-2-2:2007, IEC 60068-2-30:2005, IEC 60068-2-64:1993, IEC 61373:1999), EN45545 (EN 45545-2:2013+A1:2015), E-MARK (ECE R10)
Other	R118
Class	Class B
Protection	Ingress protection: IP67(IEC 60529-2013), IK10(IEC 62262:2002)
EMC	FCC (47 CFR Part 15, Subpart B); CE-EMC (EN 55032: 2015, EN 61000-3-2: 2014, EN 61000-3-3: 2013, EN 50130-4: 2011 +A1: 2014); RCM (AS/NZS CISPR 32: 2015); IC (ICES-003: Issue 6, 2016); KC (KN 32: 2015, KN 35: 2015)
Safety	UL (UL 60950-1); CB (IEC 60950-1:2005 + Am 1:2009 + Am 2:2013); CE-LVD (EN 60950-1:2005 + Am 1:2009 + Am 2:2013); BIS (IS 13252(Part 1):2010+A1:2013+A2:2015)
Environment	CE-RoHS (2011/65/EU); WEEE (2012/19/EU); Reach (Regulation (EC) No 1907/2006)

** Listed resolutions are only selectable options. It does not mean that all streams can work at their maximum resolution at the same time.*

Available Model:

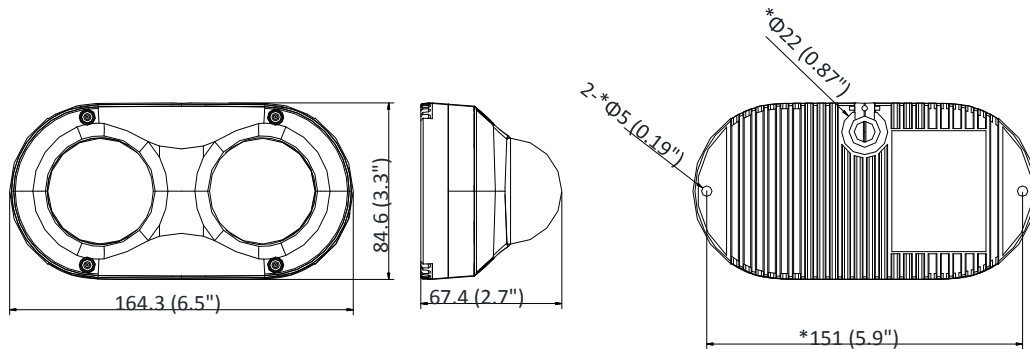
DS-2XM6D52G0-I (2.8/4/6mm)

DS-2XM6D52G0-IS (2.8/4/6mm)

DS-2XM6D52G0-I/ND (2.8/4/6mm)

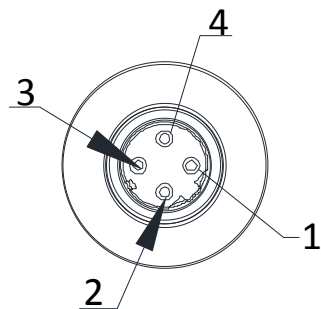
DS-2XM6D52G0-IM/ND (2.8/4/6mm)

Dimension



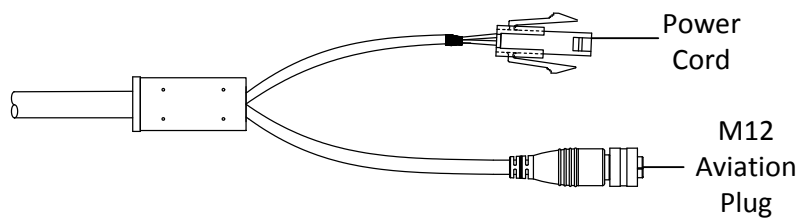
Unit: mm(inch)

Interface Description

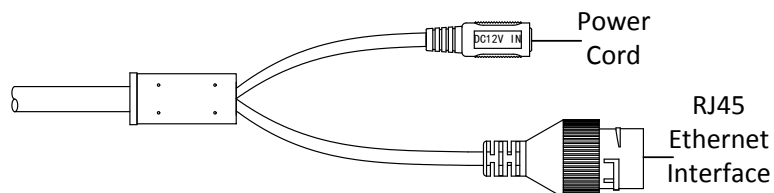


	M12 Wire	R-J45 Wire
TX+	1	1
TX-	3	2
RX+	2	3
RX-	4	6

M12 Interface Description



DS-2XM6D52G0-IM/ND Cable Interface Description



DS-2XM6D52G0-I, DS-2XM6D52G0-IS, DS-2XM6D52G0-I/ND Cable Interface Description

Distributed by

**HIKVISION®****Headquarters**

No.555 Qianmo Road, Binjiang District,
Hangzhou 310051, China
T +86-571-8807-5998
overseasbusiness@hikvision.com

Hikvision USA

T +1-909-895-0400
sales.usa@hikvision.com

Hikvision Australia

T +61-2-8599-4233
salesau@hikvision.com

Hikvision India

T +91-22-28469900
sales@pramahikvision.com

Hikvision Canada

T +1-866-200-6690
sales.canada@hikvision.com

Hikvision Thailand

T +662-275-9949
sales.thailand@hikvision.com

Hikvision Europe

T +31-23-5542770
sales.eu@hikvision.com

Hikvision Italy

T +39-0438-6902
info.it@hikvision.com

Hikvision Brazil

T +55 11 3318-0050
Latam.support@hikvision.com

Hikvision Turkey

T +90 (216)521 7070- 7074
sales.tr@hikvision.com

Hikvision Malaysia

T +601-7652-2413
sales.my@hikvision.com

Hikvision UK & Ireland

T +01628-902140
sales.uk@hikvision.com

Hikvision South Africa

Tel: +27 (10) 0351172
sale.africa@hikvision.com

Hikvision France

T +33(0)1-85-330-450
info.fr@hikvision.com

Hikvision Kazakhstan

T +84-974270888
nikia.panfilov@hikvision.ru

Hikvision Vietnam

T +84-974270888
sales.vt@hikvision.com

Hikvision UAE

T +971-4-4432090
salesme@hikvision.com

Hikvision Singapore

T +65-6684-4718
sg@hikvision.com

Hikvision Spain

T +34-91-737-16-55
info.es@hikvision.com

Hikvision Tashkent

T +99-87-1238-9438
uzb@hikvision.ru

Hikvision Hong Kong

T +852-2151-1761
info.hk@hikvision.com

Hikvision Russia

T +7-495-669-67-99
saleru@hikvision.com

Hikvision Korea

T +82-(0)31-731-8817
sales.korea@hikvision.com

Hikvision Poland

T +48-22-460-01-50
info.pl@hikvision.com

Hikvision Indonesia

T +62-21-2933759
Sales.Indonesia@hikvision.com

Hikvision Colombia

sales.colombia@hikvision.com