

DS-2XM6112FWD-I (M) 1.3MP Weather-Vandal-Resistant Mobile Camera



Key Features

- Up to 1.3 megapixel high resolution
- 1280 × 960 @30fps video
- Three video streams
- 4mm/6mm/8mm fixed lens
- 120dB Wide Dynamic Range
- 3D Digital Noise Reduction
- 3-axis adjustment
- Support on-board storage, up to 128 GB
- DC12V & PoE (802.3af)
- Up to 10 m IR range
- IP66 weather-proof protection
- IK8 vandal resistant protection
- M12 aviation plug (optional)
- Multiple smart events supported



Specification

<i>Camera</i>	
Image Sensor	1/2.7" Progressive Scan CMOS
Min. Illumination	0.01Lux @ (F1.2, AGC ON), 0 Lux with IR
Shutter Speed	1/3 s to 1/100,000 s
Lens	4 mm, horizontal field of view 90° [6 mm (53.9°), 8 mm (37.9°), optional]
Lens Mount	M12
Day & Night	IR cut filter with auto switch
DNR	3D DNR
Wide Dynamic Range	120dB
3-Axis Adjustment	Pan: -30° to 30°, Tilt: 0° to 80°, Rotate: 0° to 360°
<i>Compression Standard</i>	
Video Compression	Main stream: H.264/H.265 Sub stream: H.265/H.264/MJPEG Third stream: H.265/H.264
H.264 Type	Baseline Profile/Main Profile/High Profile
H.264+	Main stream supports
H.265 Type	Main Profile
H.265+	Main stream supports
Video Bit Rate	256 Kbps to 16 Mbps
Audio Compression	G.711/G.722.1/G.726/MP2L2/PCM
Audio Bit Rate	64Kbps(G.711)/16Kbps(G.722.1)/16Kbps(G.726)/32-192Kbps(MP2L2)
<i>Image</i>	
Max. Resolution	1280 × 960
Main Stream	50Hz: 25fps (1280 × 960, 1280×720) 60Hz: 30fps (1280 × 960, 1280×720)
Sub Stream	50Hz: 25fps (704 × 576, 640 × 480, 352 × 288, 320 × 240) 60Hz: 30fps (704 × 480, 640 × 480, 352 × 240, 320 × 240)
Third Stream	50Hz: 25fps (1280 × 960, 1280 × 720, 704 × 576, 640 × 480, 352 × 288, 320 × 240) 60Hz: 30fps (1280 × 960, 1280 × 720, 704 × 480, 640 × 480, 352 × 240, 320 × 240)
Image Enhancement	BLC/HLC/3D DNR/Defog/EIS
Image Settings	Support rotate mode. Brightness, contrast, saturation, and sharpness are adjustable via web browser and client software
ROI (Region of Interest)	Support 4 fixed region for each stream, or face dynamic tracking
Target Cropping	Support
Day/Night Switch	Day/Night/Auto/Scheduled
Picture Overlay	LOGO picture can be overlaid on video with 128 × 128, 24 bit bmp format
<i>Audio</i>	
Environment Noise Filtering	Support
Audio I/O	Support
Sampling Rate	Max. 48kHz
<i>Network</i>	
Network Storage	NAS (Support NFS, SMB/CIFS), Built-in Micro SD/SDHC/SDXC card slot, up to 128 GB

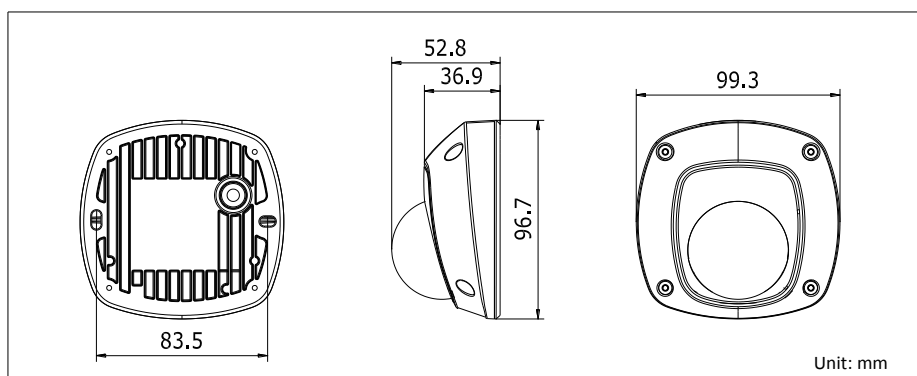
Alarm Trigger	Motion Detection, Tampering Alarm, Network Disconnected, IP Address Conflict, Illegal Login, HDD full, HDD error
Detection	Defocus Detection, Scene Change Detection, Face Detection, Intrusion Detection, Line Crossing Detection, Region Entrance Detection, Region Exiting Detection, Unattended Baggage Detection, Object Removal Detection
Protocols	TCP/IP, UDP, ICMP, HTTP, HTTPS, FTP, DHCP, DNS, DDNS, RTP, RTSP, RTCP, PPPoE, NTP, UPnP, SMTP, SNMP, IGMP, 802.1X, QoS, IPv6
Standard	ONVIF (PROFILE S, PROFILE G), ISAPI
General Function	One-key Reset, Dual-VCA, Anti-Flicker, Three Streams, Heartbeat, Mirror, Password Protection, Privacy Mask, Watermark, IP Address Filter
Interface	
Communication Interface	-IM: M12 aviation plug -I: 1 RJ45 10M/100M Ethernet port
Audio	Build-in microphone, audio output(line out)
Video Out	1Vp-p Composite Output(75Ω/BNC)
General	
Operating Conditions	-30 °C to +60 °C (-22 °F to +140°F), Humidity 95% or less (non-condensing)
Power Supply	DC12V; PoE (802.3af)
Power Consumption	Max. 5W
IR Range	Up to 10 m
Protection Level	IP66, IK8
Dimensions	99.3 × 96.7 × 52.8 mm (3.9" × 3.8" × 2.1")
Weight	420 g (0.92lbs)

Order Models

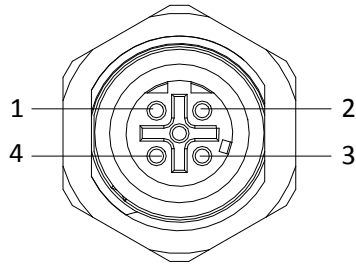
DS-2XM6112FWD-I: a RJ45 network interface and a power supply interface

DS-2XM6112FWD-IM: an M12 aviation plug

Dimension



Interface Description



	M12 Wire	R-J45 Wire
TX+	1	1
TX-	3	2
RX+	2	3
RX-	4	6

M12 Interface Description

Distributed by



HIKVISION

Headquarters

No.555 Qianmo Road, Binjiang District,
Hangzhou 310051, China
T +86-571-8807-5998
overseasbusiness@hikvision.com

Hikvision USA
T +1-909-895-0400
sales.usa@hikvision.com

Hikvision Italy
T +39-0438-6902
info.it@hikvision.com

Hikvision Singapore
T +65-6684-4718
sg@hikvision.com

Hikvision Africa
T +27 (10) 0351172
sale.africa@hikvision.com

Hikvision Europe
T +31-23-55-42-770
info.eu@hikvision.com

Hikvision France
T +33(0)1-85-330-450
info.fr@hikvision.com

Hikvision Oceania
T +61-2-8599-4233
salesau@hikvision.com

Hikvision Hong Kong
T +852-2151-1761

Hikvision Middle East
T +971-4-8816086
salesme@hikvision.com

Hikvision Spain
T +34-91-737-16-55
info.es@hikvision.com

Hikvision Canada
T +1-909-895-0400
sales.usa@hikvision.com

Hikvision Russia
T +7-495-669-67-99
sateru@hikvision.com

Hikvision Poland
T +48-22-460-01-50
poland@hikvision.com

Hikvision Korea
T +82-31-731-8841
sales.korea@hikvision.com

Hikvision India
T +91-22-28469900
sales@pramahikvision.com

Hikvision UK
T +01628-902140
support.uk@hikvision.com

Hikvision Brazil
T +55 11 3318-0050
Latam.support@hikvision.com