

## DS-PA0103-A

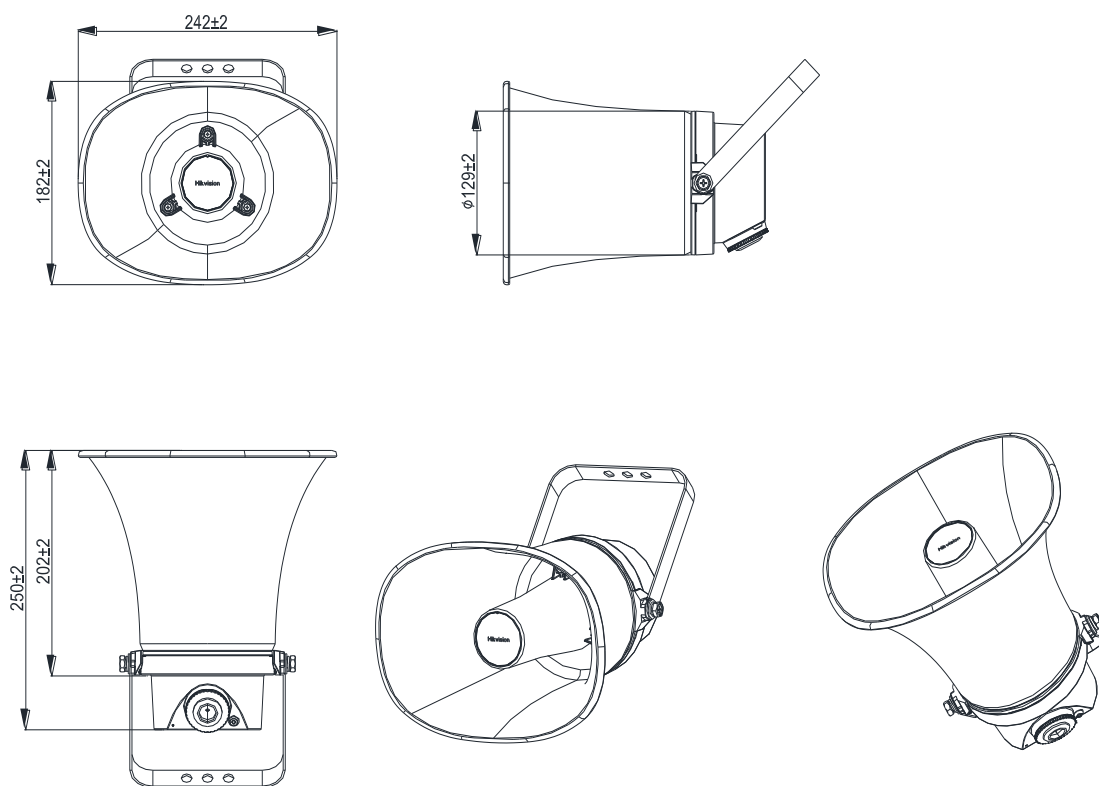
### IP Horn Speaker



#### Feature

- Network broadcast: playing audio file or real-time audio stream
- SD card broadcast: playing audio files from SD card
- Supports two-way talk between remote computer and horn speaker.
- On-the spot sound collection: remote computer can collect the real-time sound around the horn speaker.

#### Dimension



#### Available Model

DS-PA0103-A

#### Parameter

Model	DS-PA0103-A
Parameters	IP Horn Speaker
Network Interface	10/100Base-TX self-adaptive network, RJ45 interface
Network Protocol	TCP, UDP, RTP, ARP, ICMP, DHCP, DNS, IGMP, HTTP
Audio Protocol	MP3, G.711a/u, G.722
Storage	Micro SD Card, up to 32 GB
MIC Input	0.2 Vrms

Speaker Output	8 Vrms
Power Input	PoE (IEEE 802.3af), maximum 13 W
Power Consumption	< 1 W (without sound), maximum 13 W (producing sound)
Operating Temperature	-40°C to 60°C (-40°F to 140°F)
Protection Level	IP67
Approvals	EN 55022 Class B, EN 61000-6-1, EN 61000-6-2, EN 55024, EN 50121-4, IEC 62236-4, FCC Part 15 Subpart B Class B, ICES-003 Class B, VCCI Class B, C-tick AS/NZS CISPR 22 Class B, KCC KN22 Class B, KN24, IEC/EN/UL 60950-1, IEC/EN/UL 60950-22, IEC 60068-2-1, IEC 60068-2-2, IEC 60068-2-14, IEC 60068-2-27, IEC 60068-2-64, IEC 60068-2-78, IEC/EN 60529 IP66, IEC/EN 60529 IP67, NEMA 250 Type 4X, CNS 13438
Dimension	Without bracket: 242 mm × 182 mm × 250 mm (9.53" × 7.17" × 9.84")
Weight	Approx. 1.5 kg (3.31 lb.)