

## DS-1281ZJ-DM23(Black)

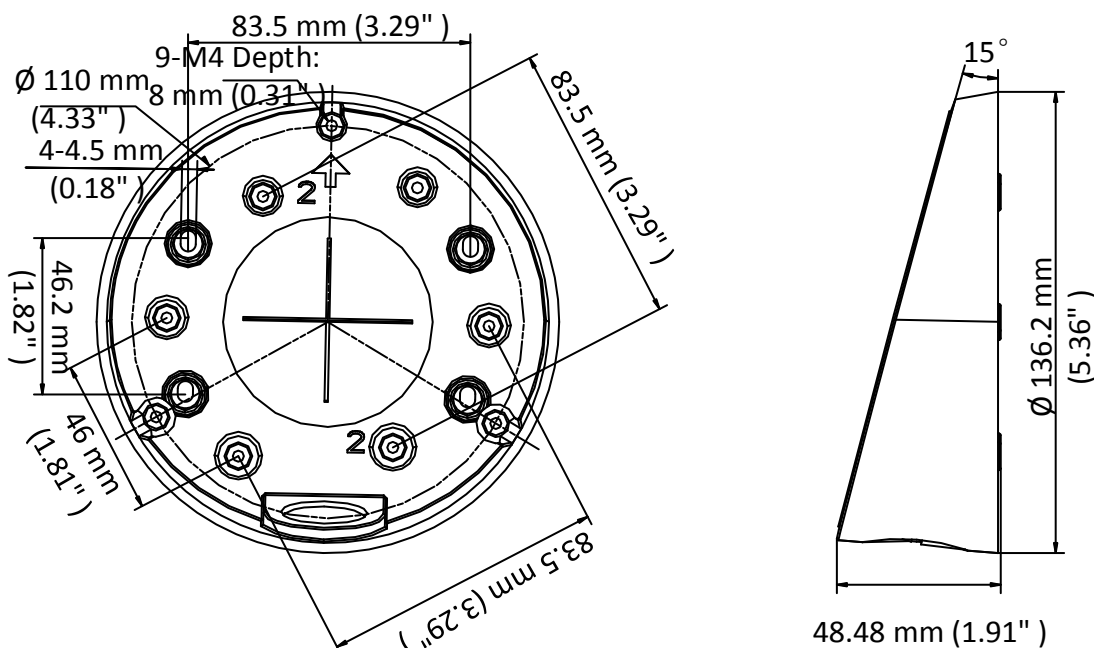
Inclined Ceiling Mount



### Features

- Aluminum alloy with surface spray treatment
- Side outlet, and bottom outlet
- Applies to both indoor conditions, and outdoor conditions

### Dimension



### Available Model

DS-1281ZJ-DM23(Black)

### Parameter

|            |   |
|------------|---|
| Model      | DS-1281ZJ-DM23(Black)                   |
| Parameters | Inclined Ceiling Mount                  |
| Appearance | Black                                   |
| Material   | Aluminum Alloy                          |
| Dimension  | ∅ 136.2 mm × 48.48 mm (∅ 5.36" × 1.91") |
| Weight     | 621 g (1.37 lb.)                        |

### Notes

- The mount should be installed on the flat surface.
- Waterproof rubber is necessary for outdoor application.
- The wall must be capable of supporting at least 3 times as much as the total weight of the camera, and the mount.
- The maximum load capacity of the mount is 4.5 kg (9.9 lb.).