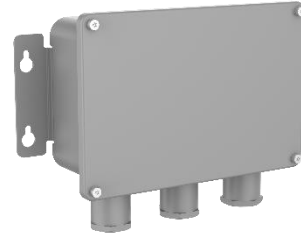


## DS-1284ZJ-M-AC3(OS)

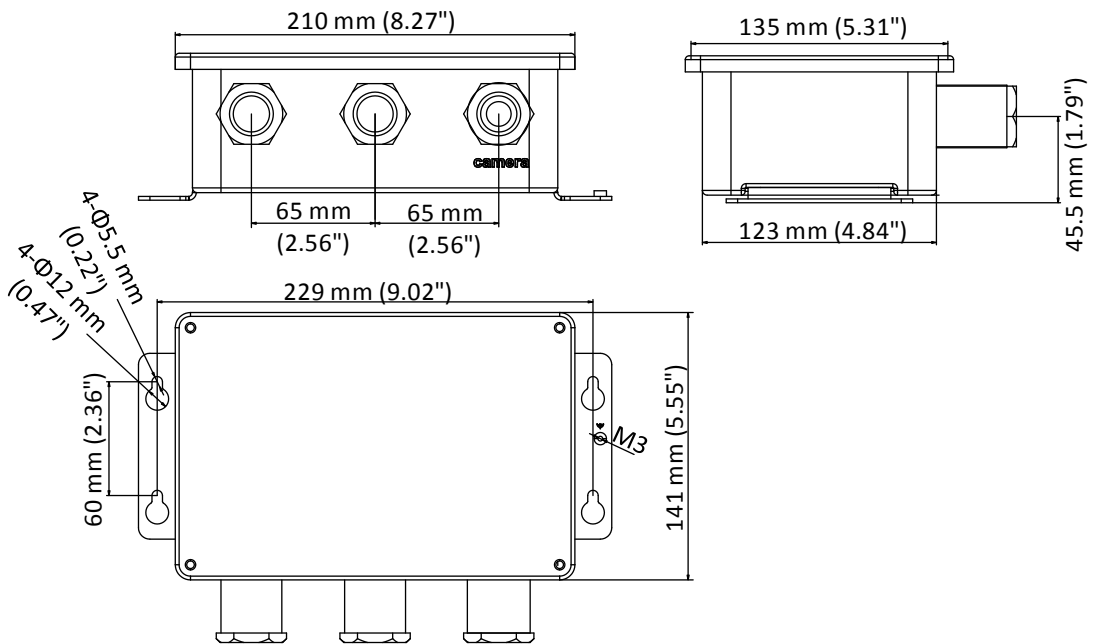
### Junction Box



#### Feature

- Stainless steel with anticorrosive coating, silver moon gray appearance
- Suitable for indoor and outdoor installation

#### Dimension



#### Available Model

DS-1284ZJ-M-AC3(OS)

#### Parameter

Model	DS-1284ZJ-M-AC3(OS)
Parameters	Junction Box
Appearance	Silver moon gray
Application	Suitable for indoor and outdoor installation
Material	Stainless steel
Dimension	229 mm × 210 mm × 135 mm (9.02" × 8.27" × 5.31")
Weight	Approx. 1981 g (4.37 lb.)

#### Note

- The junction box should be installed on a flat surface.
- Waterproof rubber is necessary for outdoor application.
- The wall should be capable of supporting at least 3 times the total weight of the camera and the accessories.
- The maximum load capacity of the junction box is 3 kg (6.61 lb.).