

DS-2663ZJ

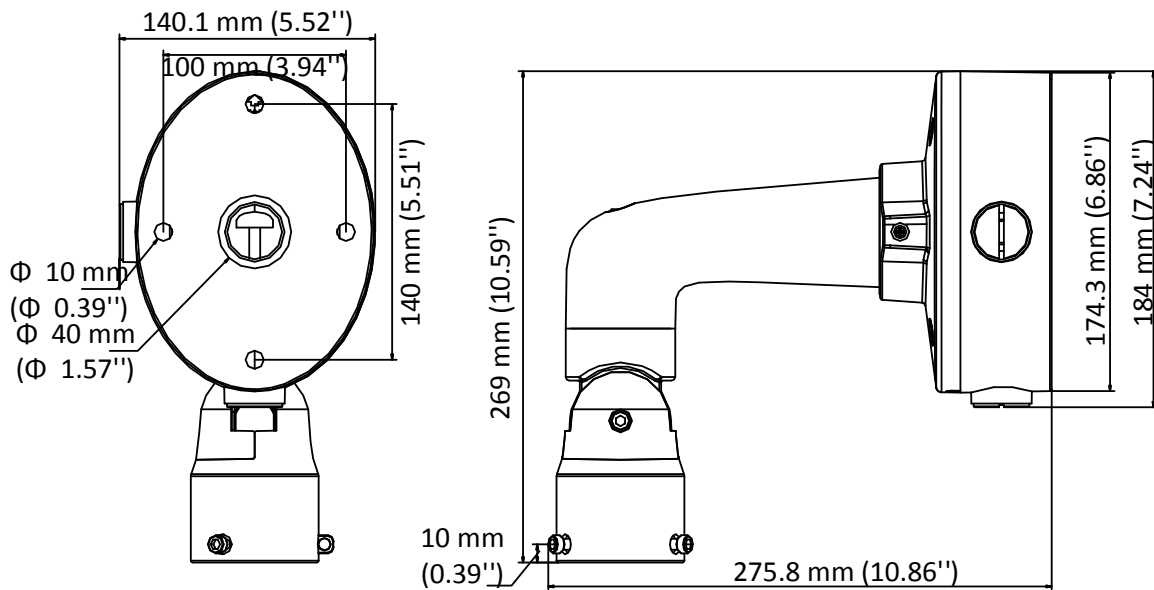
3-axis Mount

Features

- Aluminum alloy with surface spray treatment
- With cable outlet(s)
- Applies to both indoor conditions, and outdoor conditions



Dimension



Available Model

DS-2663ZJ

Parameter

Model	DS-2663ZJ
Parameters	3-axis Mount
Appearance	Hikvision White
Material	Aluminum Alloy
Dimension	269 mm × 275.8 mm × 140.1 mm (10.59" × 10.86" × 5.52")
Weight	2690 g (5.93 lb.)

Notes

- The 3-axis mount should be installed on the flat surface.
- Waterproof rubber is necessary for the outdoor application.
- The wall must be capable of supporting at least 3 times as much as the total weight of the camera, and the mount.
- The maximum load capacity of the 3-axis mount is 6 kg (13.23 lb.).