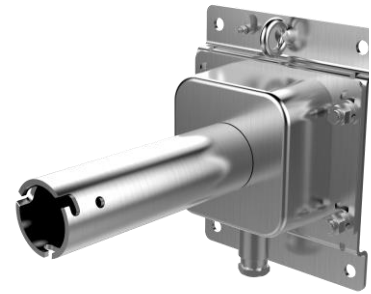


## DS-1693ZJ-X

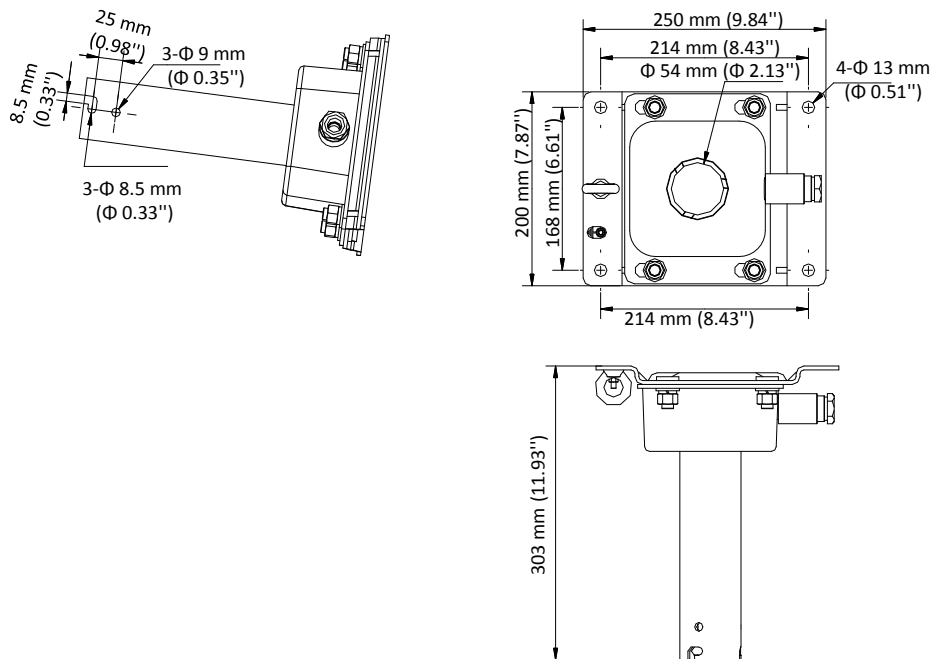
### Pendant Mount



#### Features

- Applied to both indoor conditions, and outdoor conditions
- The interface adopts the quick-installed structure

#### Dimension



#### Available Model

DS-1693ZJ-X

#### Parameter

Model	DS-1693ZJ-X
Parameters	Pendant Mount
Appearance	Unpainted Stainless Steel
Material	SUS316L
Dimension	250 mm × 200 mm × 303 mm (9.84" × 7.87" × 11.93")
Weight	6 kg (13.22 lb.)

#### Notes

- The mount should be installed on the flat surface.
- Waterproof rubber is necessary for the outdoor application.
- The wall should be capable of supporting at least 3 times as much as the total weight of the camera, and the mount.
- The maximum load capacity of the mount is 30 kg (66.14 lb.).