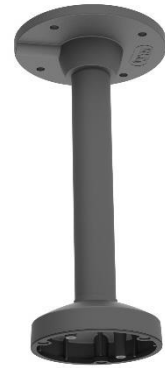


## DS-1271ZJ-DM25(Black)

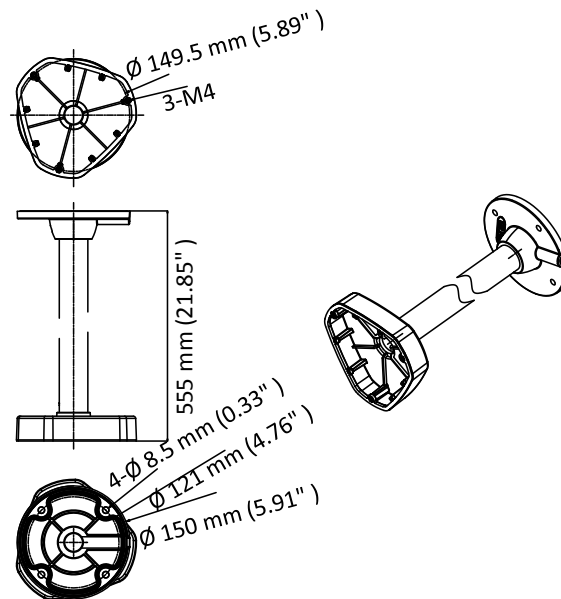
### Pendant Mount



#### Features

- Aluminum alloy with surface spray treatment
- Internal cable routing design
- Apply to indoor conditions, and outdoor conditions

#### Dimension



#### Available Model

DS-1271ZJ-DM25(Black)

#### Parameter

Model	DS-1271ZJ-DM25(Black)
Parameters	Pendant Mount
Appearance	Black
Material	Aluminum Alloy
Dimension	Ø 149.5 mm × 555 mm × Ø 150 mm (5.89" × 21.85" × 5.91")
Weight	1730 g (3.81 lb.)

#### Notes

- The mount should be installed on the flat surface.
- Waterproof rubber is necessary for outdoor application.
- The wall must be capable of supporting at least 3 times as much as the total weight of the camera, and the mount.
- The maximum load capacity of the mount is 4.5 kg (9.9 lb.).