

DS-2CE5AD3T-AVPIT3ZF 2 MP Ultra Low Light Vandal Motorized Varifocal Dome Camera



- 2 MP dome camera
- Strong night performance, capturing images in ultra-low light down to 0.005 lux
- Clear imaging even against strong back lighting due to 120 dB true WDR technology
- 3D DNR technology delivers clean and sharp images
- Lens focuses automatically when zooming in or out
- EXIR 2.0: advanced infrared technology with 70 m IR distance
- Water and dust resistant (IP67) and vandal proof (IK10)
- 4 in 1 (4 signals switchable TVI/AHD/CVI/CVBS)

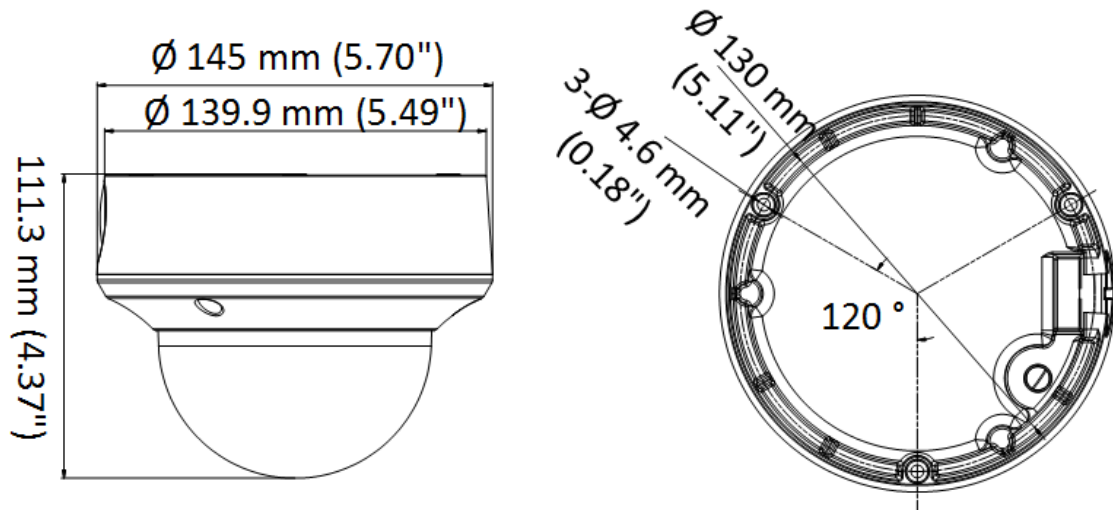
▪ Specification

Camera	
Image Sensor	2.0 megapixel progressive scan CMOS
Max. Resolution	1920 (H) ×1080 (V)
Min. Illumination	0.005 Lux@(F1.6, AGC ON), 0 Lux with IR
Shutter Time	PAL: 1/25 s to 1/50, 000 s NTSC: 1/30 s to 1/50, 000 s
Day & Night	IR cut filter
Angle Adjustment	Pan: 0° to 340°, Tilt: 0° to 75°, Rotation: 0° to 355°
Signal System	PAL/NTSC
Lens	
Lens Type	2.7 mm to 13.5 mm
Focal Length & FOV	102° to 31°
Lens Mount	Φ 14
Image	
Image Parameters Switch	STD/HIGH-SAT
Image Settings	Brightness, Sharpness, 3D DNR, Mirror, Smart IR
Frame Rate	PAL: 1080p@25fps NTSC: 1080p@30fps
Day/Night Mode	Auto/Color/BW (Black and White)
Wide Dynamic Range (WDR)	≥ 120 dB
Image Enhancement	Yes
Image Enhancement	Yes
AGC	High/Medium/Low
Interface	
Video Output	TVI/AHD/CVI/CVBS
Video Output	1 HD analog output
General	
Material	Metal
Dimension	Ø145 mm × 111.3 mm (5.70" × 4.37")
Weight	Approx. 830 g (1.83 lb.) -A: Approx. 870 g (1.92 lb.)
Operating Condition	-40 °C to 60 °C (-40 °F to 140 °F), humidity: 90% or less (non-condensation)
Language	English
Power Supply	12 VDC ±25% -A: 24 VAC ±15%, 12 VDC ±20% *You are recommended to use one power adapter to supply the power for one camera.
Consumption	Max. 7.7 W -A: Max. 9.7 W
IR Range	Up to 70 m
Approval	
Protection	IP67, IK10

▪ **Available Model**

DS-2CE5AD3T-AVPIT3ZF(2.7-13.5mm)

▪ **Dimension**



▪ **Accessory**

▪ **Optional**

DS-1276ZJ-SUS Corner Mount	DS-1271ZJ-140-DM45	DS-1280ZJ-DM45 Junction Box	DS-1275ZJ-SUS Vertical Pole Mount	DS-1281ZJ-DM45
				
DS-1273ZJ-140-DM45				
				

Headquarters

No.555 Qianmo Road, Binjiang District,
Hangzhou 310051, China
T +86-571-8807-5998
www.hikvision.com



Follow us on social media to get the latest product and solution information.

