



HIKVISION

TURBO HD

TVI Bullet&Turret Camera

User Manual

UD.6L0201D2132A01

Thank you for purchasing our product. If there are any questions, or requests, please do not hesitate to contact the dealer.

This manual applies to

Type	Model
Type I	DS-2CE16C0T-ITX DS-2CE16D0T-ITX
Type II	DS-2CE56C0T-ITX DS-2CE56D0T-ITX



In the model list, "X" indicates single or multiple letters. For example, DS-2CE56C0T-IRX can be DS-2CE56C0T-IRMM.

This manual may contain several technical incorrect places or printing errors, and the content is subject to change without notice. The updates will be added to the new version of this manual. We will readily improve or update the products or procedures described in the manual.

0200011051130

Please refer to the product specification for camera parameters and functions.

Privacy Notice

Surveillance laws vary by jurisdiction. Check all relevant laws in your jurisdiction before using this product for surveillance purposes to ensure that your use of this product conforms.

Please refer to the product specification for camera parameters and functions.

Regulatory Information

FCC Information

FCC compliance: This equipment has been tested and found to comply with the limits for a digital device, pursuant to part 15 of the FCC Rules. These limits are designed to provide reasonable protection against harmful interference when the equipment is operated in a commercial environment. This equipment generates, uses, and can radiate radio frequency energy and, if not installed and used in accordance with the instruction manual, may cause harmful interference to radio communications. Operation of this equipment in a residential area is likely to cause harmful interference in which case the user will be required to correct the interference at his own expense.

FCC Conditions

This device complies with part 15 of the FCC Rules. Operation is subject to the following two conditions:

1. This device may not cause harmful interference.
2. This device must accept any interference received, including interference that may cause undesired operation.

EU Conformity Statement



This product and - if applicable - the supplied accessories too are marked with "CE" and comply therefore with the applicable harmonized European standards listed under the Low Voltage Directive 2006/95/EC, the EMC Directive 2004/108/EC, the RoHS Directive 2011/65/EU.



2012/19/EU (WEEE directive): Products marked with this symbol cannot be disposed of as unsorted municipal waste in the European Union. For proper recycling, return this product to your local supplier upon the purchase of equivalent new equipment, or dispose of it at designated collection points. For more information see: www.recyclethis.info.



2006/66/EC (battery directive): This product contains a battery that cannot be disposed of as unsorted municipal waste in the European Union.

See the product documentation for specific battery information. The battery is marked with this symbol, which may include lettering to indicate cadmium (Cd), lead (Pb), or mercury (Hg). For proper recycling, return the battery to your supplier or to a designated collection point. For more information see: www.recyclethis.info.

Industry Canada ICES-003 Compliance

This device meets the CAN ICES-3 (A)/NMB-3(A) standards requirements.

1 Introduction

1.1 Product Features

This series of camera adopts new generation sensor with high sensitivity and advanced circuit design technology. It features high resolution, low image distortion and low noise, etc., which makes it suitable for surveillance system and image processing system.

- High performance CMOS sensor and high resolution bring high-quality image;
- Low illumination;
- Support auto white balance;
- Unit transmission control;
- Advanced 3-axis design meets different installation requirements.

1.2 Overview

1.2.1 Overview of Type I Camera

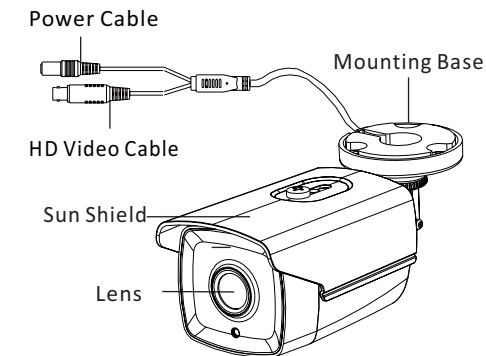


Figure 1-1 Overview of Type I Camera

1.2.2 Overview of Type II Camera

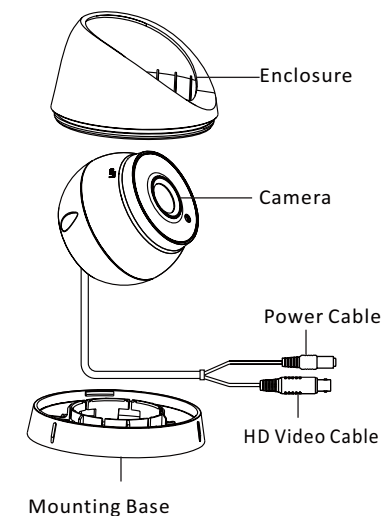


Figure 1-2 Overview of Type II Camera

2 Installation

Before you start:

- Please make sure that the device in the package is in good condition and all the assembly parts are included.
- Make sure that all the related equipment is power-off during the installation.
- Check the specification of the products for the installation environment.
- Check whether the power supply is matched with your power output to avoid damage.
- Please make sure the wall is strong enough to withstand three times the weight of the camera and the mounting.
- If the wall is the cement wall, you need to insert expansion screws before you install the camera. If the wall is the wooden wall, you can use self-tapping screw to secure the camera.
- If the product does not function properly, please contact your dealer or the nearest service center. Do not disassemble the camera for repair or maintenance by yourself.

2.1 Installation of Type I Camera

Steps:

1. Drill the screw holes in the ceiling according to the supplied drill template.
2. Hammer the supplied plastic expansion bolt into the screw holes.



Figure 2-1 Drill Template

3. Route the cables to the cable hole and connect the corresponding power cable and video cable.
4. Fix the camera to the ceiling with the supplied screws.

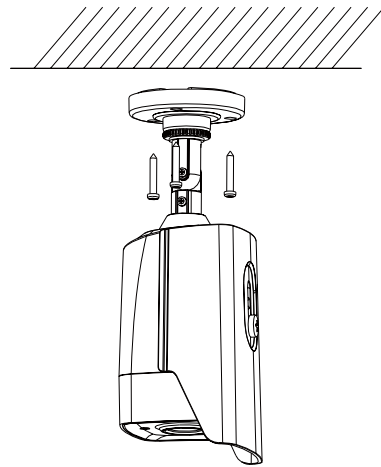


Figure 2-2 Fix the Camera to the Ceiling

5. Adjust the surveillance angle.
 - 1). Loosen No.3 adjusting screw to adjust the panning position ($0^{\circ} \sim 360^{\circ}$).
 - 2). Tighten No.3 adjusting screw.
 - 3). Loosen the No.2 adjusting screw to adjust the tilting position ($0^{\circ} \sim 180^{\circ}$).
 - 4). Tighten No.2 adjusting screw.
 - 5). Loosen No.1 adjusting screw to adjust the azimuth angle of the image ($0^{\circ} \sim 360^{\circ}$).
 - 6). Tighten No.1 adjusting screw.

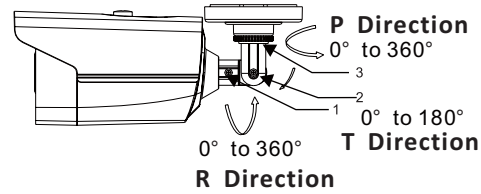


Figure 2-3 3-axis Adjustment

2.2 Installation of Type II Camera

Steps:

1. Drill the screw holes and the cable hole on the ceiling according to the supplied drill template.

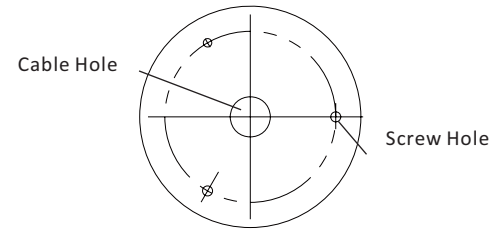


Figure 2-4 The Drill Template

2. Fix the mounting base to the ceiling with the supplied screws.

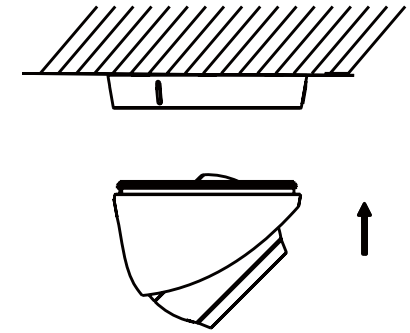
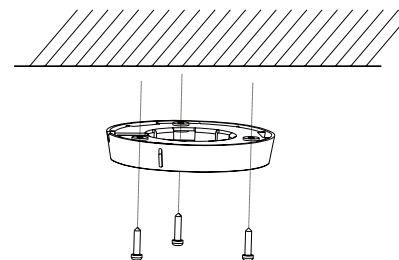


Figure 2-5 Fix the Mounting Base and Camera

3. Route the cables to the cable hole and connect corresponding power cable and video cable.
4. Secure the camera to the mounting base.
5. Adjust the camera according to the figure below to get an optimum angle.

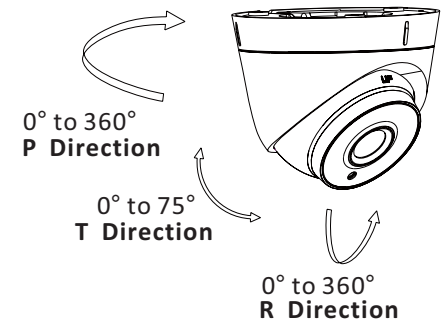


Figure 2-6 3-axis Adjustment