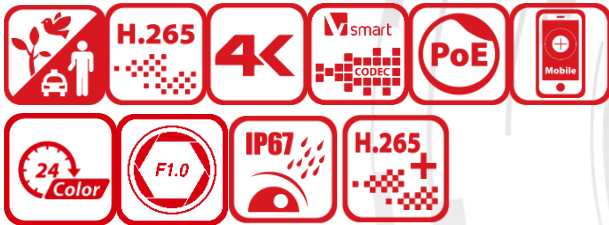


EKI-K82T46C (B Version)

6 x 4 MP ColorVu Turret IPC + 1 x 8-ch 4K PoE NVR KIT



Camera

- 4 MP (2560x1440)
- 2.8 mm Lens
- 120 dB True WDR
- White Light, up to 100ft (30m)
- Supports H.265+
- Water and dust resistant (IP67)
- Operates in -22° to 140° F (-30° to 60° C)
- Motion Detection 2.0 with Human/Vehicle Analysis

NVR

- Records up to Eight 4K IP Cameras
- 4K HDMI Output
- Supports H.265+
- PoE Plug and Play
- 2 TB Surveillance Hard Disk Drive
- Motion Detection 2.0 with Human/Vehicle Analysis



▪ Specification - Camera

| | |
|--|--|
| Model: DS-2CD1347G2-LUF (2.8mm) | |
| Image Sensor | 1/3" Progressive Scan CMOS |
| Max. Resolution | 2560 × 1440 |
| Shutter Time | 1/3 s to 1/100,000 s |
| Min. Illumination | Color: 0.001 Lux @ (F1.0, AGC ON), 0 Lux with light |
| Day & Night | 24/7 color imaging |
| Angle Adjustment | Pan: 0° to 360°, tilt: 0° to 75°, rotate: 0° to 360° |
| Lens | |
| Lens Type | Fixed focal lens, 2.8mm |
| Focal Length & FOV | horizontal FOV: 96°, vertical FOV: 52°, diagonal FOV: 113° |
| Lens Mount | M12 |
| Iris Type | Fixed |
| Aperture | F1.0 |
| Depth of Field | 2 m to ∞ |
| DORI | |
| DORI | D: 64 m, O: 25 m, R: 12 m, I: 6 m |
| Illuminator | |
| Supplement Light Type | White Light |
| Supplement Light Range | Up to 30 m |
| Smart Supplement Light | Yes |
| Video | |
| Main Stream | 50 Hz: 20 fps (2560 × 1440) 25 fps (1920 × 1080, 1280 × 720) 60 Hz: 20 fps (2560 × 1440) 24 fps (1920 × 1080, 1280 × 720) |
| Sub-Stream | 50 Hz: 25 fps (1280 × 720, 640 × 480, 640 × 360) 60 Hz: 24 fps (1280 × 720, 640 × 480, 640 × 360) |
| Video Compression | Main stream: H.265+/H.265/H.264+/H.264, Sub-stream: H.265/H.264/MJPEG |
| Video Bit Rate | 32 Kbps to 8 Mbps |
| H.264 Type | Baseline Profile, Main Profile, High Profile |
| H.265 Type | Main Profile |
| Bit Rate Control | CBR, VBR |
| Region of Interest (ROI) | 1 fixed region(s) for main stream |
| Audio | |
| Audio Type | Mono sound |
| Environment Noise Filtering | Yes |
| Audio Sampling Rate | 8 kHz/16 kHz |
| Audio Compression | G.711ulaw/G.711alaw/G.722.1/G.726/MP2L2/PCM/AAC-LC |
| Audio Bit Rate | 64 Kbps (G.711 ulaw)/64 Kbps (G.711 alaw)/16 Kbps (G.722.1)/16 Kbps (G.726)/32 to 160 Kbps (MP2L2)/16 to 64 Kbps (AAC-LC) |

| Network | |
|----------------------------------|--|
| Protocols | TCP/IP, ICMP, DHCP, DNS, HTTP, RTP, RTSP, NTP, IGMP, IPv6, UDP, QoS, FTP, SMTP |
| Simultaneous Live View | Up to 6 channels |
| API | Open Network Video Interface (Profile S, Profile T, Profile G), ISAPI, SDK |
| User/Host | Up to 32 users 3 user levels: administrator, operator, and user |
| Security | Password protection, complicated password, watermark, basic and digest authentication for HTTP, WSSE and digest authentication for Open Network Video Interface, security audit log, host authentication (MAC address) |
| Client | iVMS-4200, Hik-Connect |
| Web Browser | Plug-in required live view: IE 10, IE 11 Local service: Chrome 57.0+, Firefox 52.0+ |
| Image | |
| Wide Dynamic Range (WDR) | 120 dB |
| SNR | ≥ 52 dB |
| Day/Night Switch | Day, Night, Auto, Schedule |
| Image Enhancement | BLC, HLC, 3D DNR |
| Image Settings | Rotate mode, saturation, brightness, contrast, sharpness, gain, white balance, adjustable by client software or web browser |
| Privacy Mask | 4 programmable polygon privacy masks |
| Interface | |
| Ethernet Interface | 1 RJ45 10 M/100 M self-adaptive Ethernet port |
| On-Board Storage | Built-in memory card slot, support microSD/microSDHC/microSDXC card, up to 256 GB |
| Built-in Microphone | Yes |
| Reset Key | Yes |
| Event | |
| Basic Event | Motion detection (support alarm triggering by specified target types (human and vehicle)), video tampering alarm, exception |
| Linkage | Upload to FTP/memory card , notify surveillance center, send email, trigger recording, trigger capture |
| General | |
| Power | 12 VDC ± 25%, 0.4 A, max. 5 W, Ø5.5 mm coaxial power plug PoE: 802.3af, Class 3, 36 V to 57 V, 0.2 A to 0.15 A, max. 6.5 W |
| Material | Metal & Plastic |
| Dimension | Ø109.9 mm × 103.6 mm (Ø4.3" × 4.1") |
| Package Dimension | 150 mm × 150 mm × 141 mm (5.9" × 5.9" × 5.6") |
| Weight | Approx. 420 g (0.9 lb.) |
| With Package Weight | Approx. 650 g (1.4 lb.) |
| Storage Conditions | -30 °C to 60 °C (-22 °F to 140 °F). Humidity 95% or less (non-condensing) |
| Startup and Operating Conditions | -30 °C to 60 °C (-22 °F to 140 °F). Humidity 95% or less (non-condensing) |
| Language | English, Ukrainian |
| General Function | Heartbeat, anti-banding, mirror, password protection, password reset via email |

Approval

| | |
|-------------|--|
| EMC | FCC: 47 CFR Part 15, Subpart B CE-EMC: EN 55032: 2015, EN 61000-3-2: 2019, EN 61000-3-3: 2013 + A1: 2019, EN 50130-4: 2011 + A1: 2014 RCM: AS/NZS CISPR 32: 2015 KC: KN32: 2015, KN35: 2015 |
| Safety | UL: UL 62368-1 CB: IEC 62368-1: 2014 + A11 CE-LVD: EN 62368-1: 2014/A11: 2017 BIS: IS 13252 (Part 1): 2010/IEC 60950-1: 2005 |
| Environment | CE-RoHS: 2011/65/EU WEEE: 2012/19/EU Reach: Regulation (EC) No 1907/2006 |
| Protection | IP67: IEC 60529-2013 |

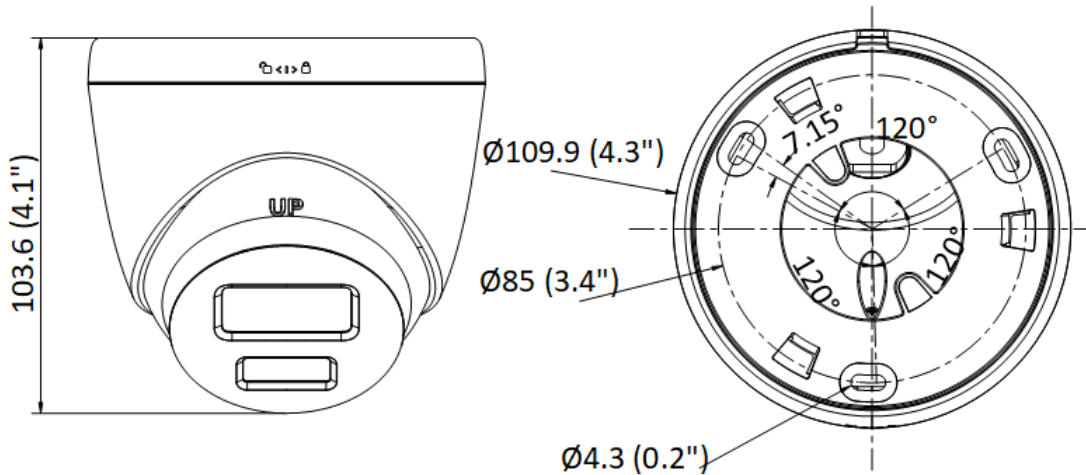
▪ Specification – NVR

| | |
|-------------------------------|---|
| Model: ERI-K108-P8 (D) | |
| Motion Detection 2.0 | |
| Human/Vehicle Analysis | 4-ch |
| Video and Audio | |
| IP Video Input | 8-ch |
| Incoming Bandwidth | 80 Mbps |
| Outgoing Bandwidth | 80 Mbps |
| HDMI Output | 1-ch, 4K (4096 x 2160)/30 Hz, 4K (3840 x 2160)/30 Hz, 2K (2560 x 1440)/60 Hz, 1920 x 1080/60 Hz, 1600 x 1200/60 Hz, 1280 x 1024/60 Hz, 1280 x 720/60 Hz |
| VGA Output | 1-ch, 1920 x 1080/60 Hz, 1280 x 1024/60 Hz, 1280 x 720/60 Hz |
| Video Output Mode | HDMI/VGA simultaneous output |
| Audio Output | 1-ch, RCA (Linear, 1 KΩ) |
| Two-Way Audio | 1-ch, RCA (2.0 Vp-p, 1kΩ) |
| Decoding | |
| Decoding Format | H.265+/H.265/H.264+/H.264 |
| Recording Resolution | 8 MP/6 MP/5 MP/4 MP/3 MP/1080p/UXGA/ 720p/VGA/4CIF/DCIF/2CIF/CIF/QCIF |
| Synchronous playback | 8-ch |
| Decoding Capability | 1-ch@8 MP (30 fps)/3-ch@4 MP (30 fps)/6-ch@1080p (30 fps) *: The length or width of camera resolution (each track) cannot exceed 4096 pixels. |
| Stream Type | Video, Video & Audio |
| Audio Compression | G.711ulaw/G.711alaw/G.722/G.726 |
| Network | |
| Remote Connection | 32 |
| Network Protocol | TCP/IP, DHCP, IPv4, IPv6, DNS, DDNS, NTP, RTSP, SADP, SMTP, SNMP, NFS, iSCSI, ISUP, UPnP™, HTTP, HTTPS |
| Network Interface | 1 RJ-45 10/100 Mbps self-adaptive Ethernet interface |
| PoE | |
| Interface | 8-ch, RJ-45 10/100 Mbps self-adaptive Ethernet interface |
| Power | ≤ 75 W |
| Standard | IEEE 802.3 af/at |
| Auxiliary Interface | |
| SATA | 1 SATA interface |
| Capacity | Up to 8 TB capacity for each disk |
| USB Interface | 2 x USB 2.0 |
| Alarm In/Out | N/A |
| General | |
| Power Supply | 48 VDC, 1.88 A |
| Consumption | ≤ 10 W (without HDD and PoE off) |
| Working Temperature | -10 °C to 55 °C (14 °F to 131 °F) |
| Working Humidity | 10% to 90% |
| Dimension (W x D x H) | 320 x 240 x 48 mm (12.4" x 9.4" x 1.9") |
| Weight | ≤ 1 kg (without HDD, 2.2 lb.) |

▪ **Available Model**

EKI-K82T46C (B Version)

IPC Dimension



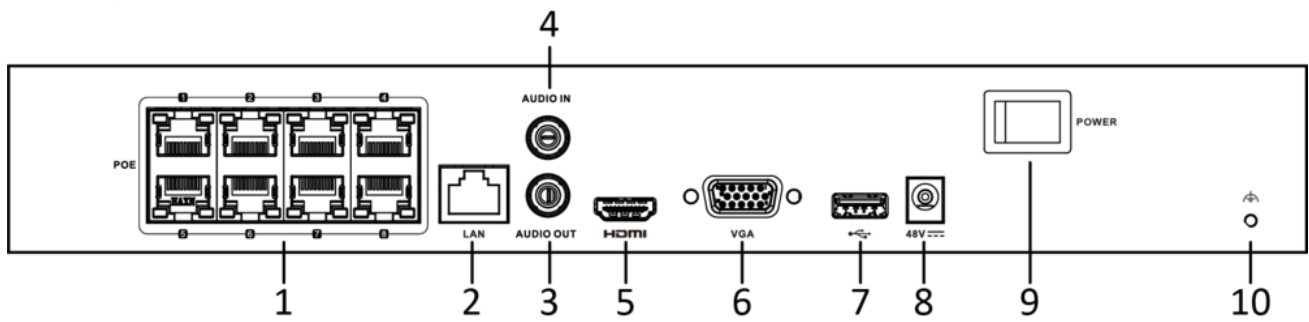
Unit: mm (inch)

IPC Accessory

▪ **Optional**

| WMS+PC110T Wall Mount | CM Corner Mount | CBS Junction Box | PM Vertical Pole Mount | ABS Inclined Ceiling Mount |
|---|---|---|---|---|
|  |  |  |  |  |

NVR Physical Interface



| No. | Description | No. | Description |
|-----|--------------------------------------|-----|----------------------------|
| 1 | Network interfaces with PoE function | 6 | VGA output (DB9 connector) |
| 2 | LAN interface | 7 | USB interface |
| 3 | AUDIO OUT | 8 | Power supply |
| 4 | AUDIO IN | 9 | Power switch |
| 5 | HDMI interface | 10 | GND |

Distributed by

**HIKVISION®****Headquarters**

No.555 Qianmo Road, Binjiang District,
Hangzhou 310051, China
T +86-571-8807-5998
overseasbusiness@hikvision.com

Hikvision USA
T +1-909-895-0400
sales.usa@hikvision.com

Hikvision Australia
T +61-2-8599-4233
salesau@hikvision.com

Hikvision India
T +91-22-28469900
sales@pramahikvision.com

Hikvision Canada
T +1-866-200-6690
sales.canada@hikvision.com

Hikvision Thailand
T +662-275-9949
sales.thailand@hikvision.com

Hikvision Europe
T +31-23-5542770
sales.eu@hikvision.com

Hikvision Italy
T +39-0438-6902
info.it@hikvision.com

Hikvision Brazil
T +55 11 3318-0050
Latam.support@hikvision.com

Hikvision Turkey
T +90 (216)521 7070- 7074
sales.tr@hikvision.com

Hikvision Malaysia
T +601-7652-2413
sales.my@hikvision.com

Hikvision UK & Ireland
T +01628-902140
sales.uk@hikvision.com

Hikvision South Africa
Tel: +27 (10) 0351172
sale.africa@hikvision.com

Hikvision France
T +33(0)1-85-330-450
info.fr@hikvision.com

Hikvision Kazakhstan
T +7-727-9730667
nikia.panfilov@hikvision.ru

Hikvision Vietnam
T +84-974270888
sales.vt@hikvision.com

Hikvision UAE
T +971-4-4432090
salesme@hikvision.com

Hikvision Singapore
T +65-6684-4718
sg@hikvision.com

Hikvision Spain
T +34-91-737-16-55
info.es@hikvision.com

Hikvision Tashkent
T +99-87-1238-9438
uzb@hikvision.ru

Hikvision Hong Kong
T +852-2151-1761
info.hk@hikvision.com

Hikvision Russia
T +7-495-669-67-99
saleru@hikvision.com

Hikvision Korea
T +82-(0)31-731-8817
sales.korea@hikvision.com

Hikvision Poland
T +48-22-460-01-50
info.pl@hikvision.com

Hikvision Indonesia
T +62-21-2933759
Sales.Indonesia@hikvision.com

Hikvision Colombia
sales.colombia@hikvision.com