



Key Feature

- High quality imaging with 2 MP resolution
- Easy, Cost-Efficient Installation
- User Friendly Design, Name tag, Communication status LED indicator
- IP65 water resistant, preventing water ingress for outdoor use

Approval

CE-EMC	a. EN 55032:2015 b. EN 61000-3-2:2014 c. EN 61000-3-3:2013 d. EN 50130-4:2011 +A1:2014
CE-LVD	EN 60950-1:2006 + A11:2009 + A1:2010 + A12:2011 + A2:2013
CB	IEC 60950-1:2005 (Second Edition) + Am 1:2009 + Am 2:2013
FCC-SDOC	47 CFR Part 15, Subpart B
C-TICK(EMC)	AS/NZS CISPR 32:2015
UL	UL 60950-1 & CAN/CSA C22.2 No. 60950-1-07, Information Technology Equipment – Safety – Part 1: General Requirements
ROHS	2011/65/EU
REACH	Regulation (EC) No 1907/2006
WEEE	2012/19/EU

Specification

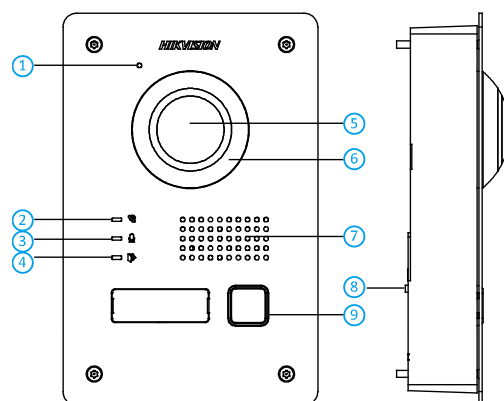
System parameters	
Operation system	Embedded Linux operation system
Operation method	Single-button
Flash	32 MB
RAM	256 M
Video Parameters	
Camera	2MP HD camera
Night vision	Low illumination IR supplement mode:3 m
BLC	Support
DNR	Support
WDR	True WDR
Field of view	Horizontal: 144° Vertical: 95°
Video compression standard	H.264
Stream	Main stream: 1080p@30fps, 720p@30fps Sub stream: 4CIF
Resolution	Main stream: 1920 × 1080p, 720p Sub stream: 704 × 576
Motion detection	Support
Anti-flicker frequency	50 Hz, 60 Hz
Audio parameters	
Audio intercom	Two-way audio communication
Audio input	Built-in omnidirectional microphone
Audio output	Built-in loudspeaker
Audio compression standard	G.711 U, G.711 A
Audio compression Rate	64 Kbps
Audio quality	Noise suppression and echo cancellation
Network parameters	
Wired network	10/100 Mbps Ethernet
Network protocol	TCP/IP, RSTP
Access control parameters	
Reading frequency	Not supported
Relay	2
Interfaces	
Output	12 V/1 A output
Debugging port	1
Alarm input	2
Grounding	1
Two-wire interface	1
TAMPER switch	1
General	
Protection level	IP65
Indicator	3
Power supply	From indoor station
Power consumption	< 10 W

Heater	Support
Working temperature	-40° C to +60° C(-40° F to 140° F)
Working humidity	10% to 95%
Dimension	169 × 110 × 31 mm (6.54" × 4.33" × 1.22")
Installation	Surface mounting, flush mounting
Weight	476 g

Available Model

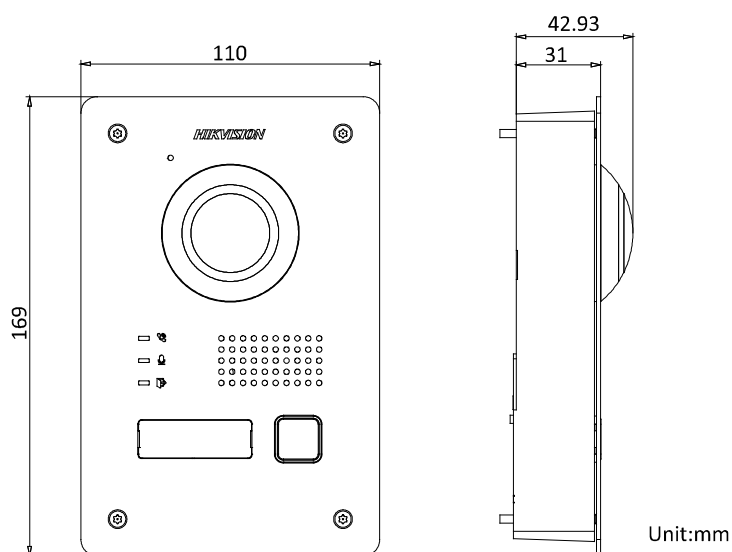
DS-KV8103-IMPE2

Appearance and Interfaces



No.	Description	No.	Description
1	Microphone	6	Supplement Light
2	Calling Indicator	7	Loudspeaker
3	Speaking Indicator	8	TAMPER
4	Open Door Indicator	9	Call Button
5	Built-in Camera		

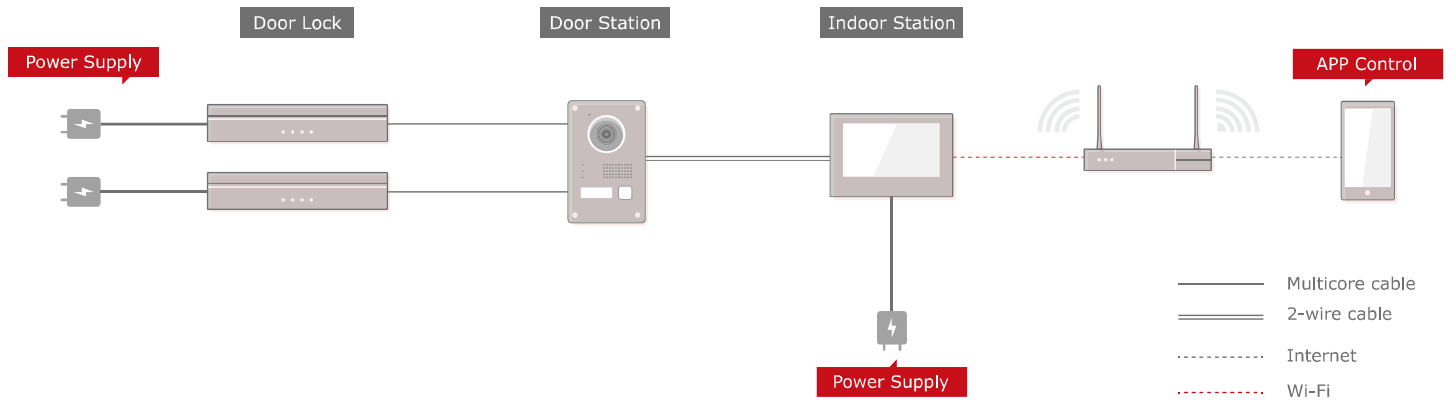
Dimension



Unit:mm



Typical Application



Distributed by

**HIKVISION®****Headquarters**

No.555 Qianmo Road, Binjiang District,
Hangzhou 310051, China
T +86-571-8807-5998
overseasbusiness@hikvision.com

Hikvision USA
T +1-909-895-0400
sales.usa@hikvision.com

Hikvision Australia
T +61-2-8599-4233
salesau@hikvision.com

Hikvision India
T +91-22-28469900
sales@pramahikvision.com

Hikvision Canada
T +1-866-200-6690
sales.canada@hikvision.com

Hikvision Thailand
T +662-275-9949
sales.thailand@hikvision.com

Hikvision Europe
T +31-23-5542770
sales.eu@hikvision.com

Hikvision Italy
T +39-0438-6902
info.it@hikvision.com

Hikvision Brazil
T +55 11 3318-0050
Latam.support@hikvision.com

Hikvision Turkey
T +90 (216)521 7070- 7074
sales.tr@hikvision.com

Hikvision Malaysia
T +601-7652-2413
sales.my@hikvision.com

Hikvision UK & Ireland
T +01628-902140
sales.uk@hikvision.com

Hikvision South Africa
Tel: +27 (10) 0351172
sale.africa@hikvision.com

Hikvision France
T +33(0)1-85-330-450
info.fr@hikvision.com

Hikvision Kazakhstan
T +7-727-9730667
nikia.panfilov@hikvision.ru

Hikvision Vietnam
T +84-974270888
sales.vt@hikvision.com

Hikvision UAE
T +971-4-4432090
salesme@hikvision.com

Hikvision Singapore
T +65-6684-4718
sg@hikvision.com

Hikvision Spain
T +34-91-737-16-55
info.es@hikvision.com

Hikvision Tashkent
T +99-87-1238-9438
uzb@hikvision.ru

Hikvision Hong Kong
T +852-2151-1761
info.hk@hikvision.com

Hikvision Russia
T +7-495-669-67-99
saleru@hikvision.com

Hikvision Korea
T +82-(0)31-731-8817
sales.korea@hikvision.com

Hikvision Poland
T +48-22-460-01-50
info.pl@hikvision.com

Hikvision Indonesia
T +62-21-2933759
Sales.Indonesia@hikvision.com

Hikvision Colombia
sales.colombia@hikvision.com