

DS-K1T680DG Face Recognition Terminal



Face recognition terminal is a kind of access control device for face recognition, which is mainly applied in security access control systems, such as logistic centers, airports, university campuses, alarm centrals, dwellings, etc.

- 8-inch touch screen with bezel-less design
- Presents card on the screen to authenticate
- Face recognition distance: 0.3 m to 3 m, duration < 0.2 s/User, accuracy rate ≥ 99%
- 100,000 face capacity, 100,000 card capacity (Felica, DESfire, M1), and 150,000 event capacity
- Supports ISAPI, ISUP 5.0, Wiegand, RS-485, TCP/IP, 3G/4G
- Two-way audio with indoor station and master station
- Configuration via the web client and mobile client
- Customizes attendance status name



▪ Specification

System	
Operation system	Linux
Display	
Dimensions	8-inch
Resolution	1280 × 800
Operation method	Capacitive touch screen
Video	
Pixel	2 MP
Lens	× 2
Network	
Wired network	10 M/100 M/1000 M self-adaptive
3G/4G	Support
Wi-Fi	Not support
Interface	
Network interface	1
RS-485	1
Wiegand	1
Lock output	1
Exit button	1
Door contact input	1
IO input	2
IO output	1
Power interface	2-pin
TAMPER	1
USB	1
Capacity	
Card capacity	100,000
Face capacity	100,000
Event capacity	150,000
Authentication	
Card type	Mifare 1 card, DESfire card, Felica card
Card reading distance	0 to 5 cm
Card reading duration	< 1 s
Face recognition duration	< 0.2 s
Face recognition accuracy rate	≥99%
Face recognition distance	0.3 to 3 m
Fingerprint recognition duration	< 1 s
Function	
Language	English, Thai, Brazilian Portuguese, Russian, Spanish, Arabic, Japanese, Ukrainian, and Indonesian
Hik-Connect	Support
QR code recognition	Support

Face anti-spoofing	Support
Time synchronization	Support
General	
Power supply method	12 VDC/24 VDC Power Adapter
Power supply	12-24 VDC, 3 A
Working temperature	-30 °C to 60 °C (-22 °F to 140 °F)
Working humidity	0 to 90% (No condensing)
Dimensions	127.3 mm × 232.1 mm × 23.5 mm (5.0" × 9.1" × 0.9")
Protective level	IP65

▪ Available Model

DS-K1T680DG:

Supported in Europe, the Middle East, Africa, India, and Most Areas of Asia-Pacific (excluding Japan and Taiwan (China))

LTE FDD: B1/B3/B7/B8/B20/B28A

WCDMA: B1/B8

GSM: B3/B8

DS-K1T680DG1:

Supported in Australia, Taiwan (China), and Latin America

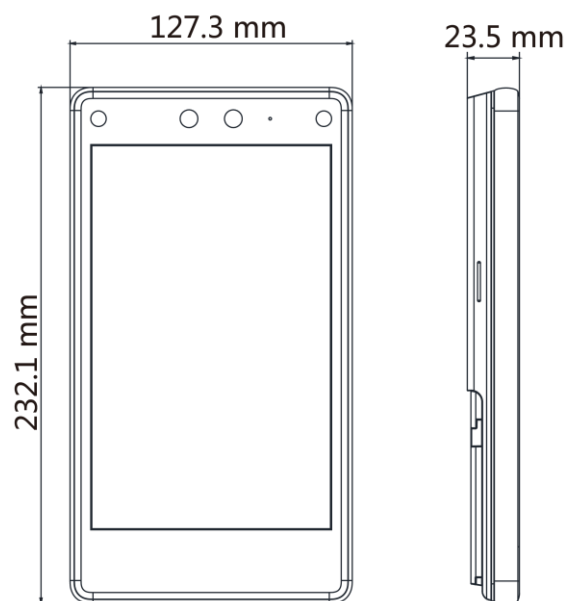
LTE FDD: B1/B2/B3/B4/B5/B7/B8/B28

LTE TDD: B40

WCDMA: B1/B2/B5/B8

GSM: B2/B3/B5/B8

▪ Dimension



Distributed by

**HIKVISION®****Headquarters**

No.555 Qianmo Road, Binjiang District,
Hangzhou 310051, China
T +86-571-8807-5998
overseasbusiness@hikvision.com

Hikvision USA
T +1-909-895-0400
sales.usa@hikvision.com

Hikvision Australia
T +61-2-8599-4233
salesau@hikvision.com

Hikvision India
T +91-22-28469900
sales@pramahikvision.com

Hikvision Canada
T +1-866-200-6690
sales.canada@hikvision.com

Hikvision Thailand
T +662-275-9949
sales.thailand@hikvision.com

Hikvision Europe
T +31-23-5542770
sales.eu@hikvision.com

Hikvision Italy
T +39-0438-6902
info.it@hikvision.com

Hikvision Brazil
T +55 11 3318-0050
Latam.support@hikvision.com

Hikvision Turkey
T +90 (216)521 7070- 7074
sales.tr@hikvision.com

Hikvision Malaysia
T +601-7652-2413
sales.my@hikvision.com

Hikvision UK & Ireland
T +01628-902140
sales.uk@hikvision.com

Hikvision South Africa
Tel: +27 (10) 0351172
sale.africa@hikvision.com

Hikvision France
T +33(0)1-85-330-450
info.fr@hikvision.com

Hikvision Kazakhstan
T +7-727-9730667
nikia.panfilov@hikvision.ru

Hikvision Vietnam
T +84-974270888
sales.vt@hikvision.com

Hikvision UAE
T +971-4-4432090
salesme@hikvision.com

Hikvision Singapore
T +65-6684-4718
sg@hikvision.com

Hikvision Spain
T +34-91-737-16-55
info.es@hikvision.com

Hikvision Tashkent
T +99-87-1238-9438
uzb@hikvision.ru

Hikvision Hong Kong
T +852-2151-1761
info.hk@hikvision.com

Hikvision Russia
T +7-495-669-67-99
saleru@hikvision.com

Hikvision Korea
T +82-(0)31-731-8817
sales.korea@hikvision.com

Hikvision Poland
T +48-22-460-01-50
info.pl@hikvision.com

Hikvision Indonesia
T +62-21-2933759
Sales.Indonesia@hikvision.com

Hikvision Colombia
sales.colombia@hikvision.com