

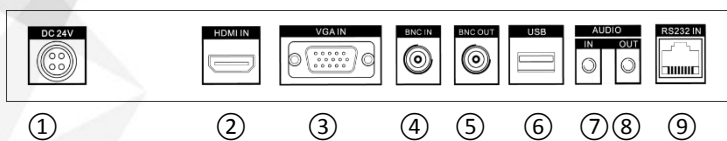
## DS-D5032FL-B 31.5" Monitor



### Key Features

- Industrial grade A+ LCD panel
- Designed for surveillance, high reliability and stability
- Abundant varieties of interfaces: BNC, VGA, digital interface and diversified interfaces
- 16.7 million color, display picture perfectly
- Support horizontal and vertical display
- Horizontal 178°, Vertical 178°
- Dedicated project RS232 interface
- Build-in loudspeaker, audio visual connection
- VESA standard
- Metal shell

### Interfaces



NO.	Description
1	24V DC power input
2	HDMI digital signal input
3	Analog VGA input
4	BNC input
5	BNC output
6	USB interface
7	Audio input
8	Audio output
9	RS-232 communication interface

### Model

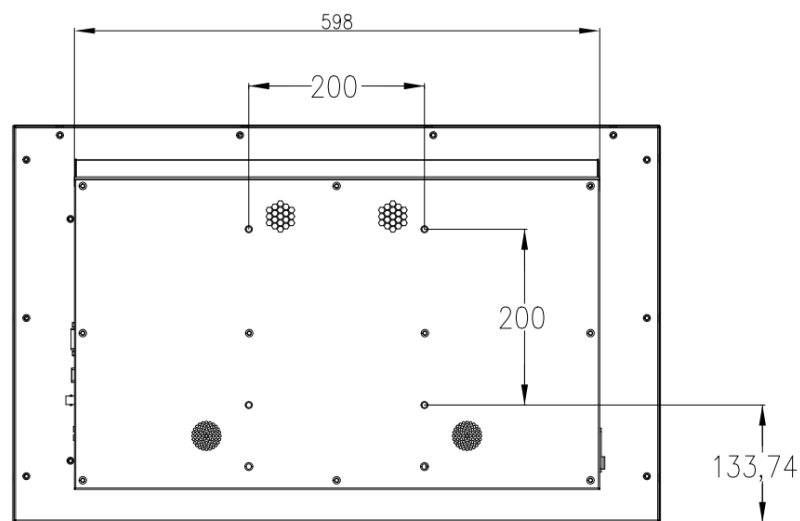
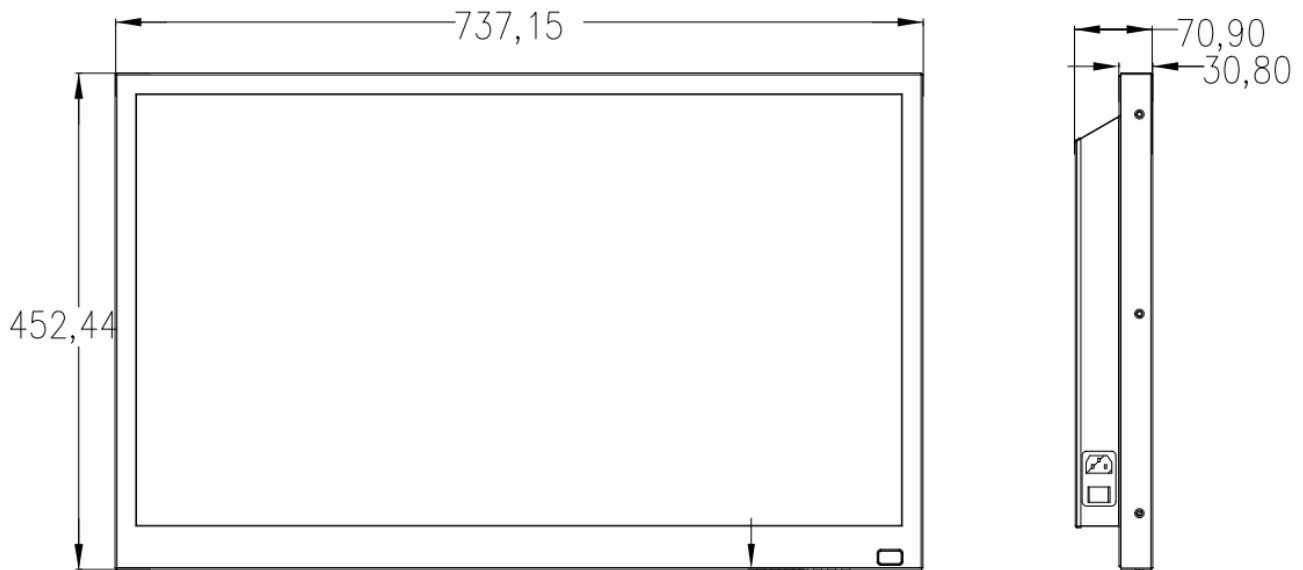
DS-D5032FL-B



# Specifications

<b>Model</b>	DS-D5032FL			
<b>Backlight</b>	LED Backlight			
<b>Screen Size</b>	31.5"			
<b>Pixel Pitch</b>	0.36375 mm x 0.36375 mm			
<b>Max Resolution</b>	1920 x 1080			
<b>Brightness</b>	400 cd/m <sup>2</sup> (Typical)			
<b>Contrast</b>	3000 : 1			
<b>Response Time</b>	10 ms			
<b>Color</b>	16.7 M			
<b>Active Area</b>	698.40 mm x 392.85 mm			
<b>Viewing Angle</b>	Horizontal 178°, Vertical 178°			
<b>Interfaces</b>	VGA Input	1	RS-232 interface	1
	BNC Input	1	IR Receiver	1 (for remot control)
	BNC Output	1	Audio input	1
	USB 2.0 Interface	1	Audio output	1
	HDMI input	1	VGA Input	1
<b>Power Supply</b>	24 VDC; 100 to 240 VAC, 50/60Hz			
<b>Power Consumption</b>	≤ 60 W			
<b>Standby Power Consumption</b>	< 0.5 W(Standby)			
<b>Loudspeaker</b>	3W x 2			
<b>Working Temperature</b>	0 °C ~ 40 °C(32°F ~ 104°F)			
<b>Working Humidity</b>	10% ~ 90% (No Condensation)			
<b>Storage Temperature</b>	-20°C ~ 60°C(-4°F ~ 140°F)			
<b>Storage Humidity</b>	10%~90% (No Condensation)			
<b>Color of Casing</b>	Black			
<b>VESA</b>	4-M6 200 mm * 200 mm			
<b>Dimensions(W*H*D)</b>	737.4 mm × 452.5 mm × 70.65 mm			
<b>Packing Dimensions(W*H*D)</b>	881 mm x 630 mm x 205 mm			
<b>Gross Weight</b>	19 kg			
<b>Net Weight</b>	12 kg			
<b>Accessories</b>	Power cord	1		
	User manual	1		
	Warranty card	1		
	Remote control	1		
	Battery	2		
<b>Bracket</b>	Pedestal	Optional	DS-DM3201B	
	Wall mounted	Optional	DS-DM1940W	
<b>*Note</b>	All specifications mentioned above are subject to the actual product			

## Dimensions (unit: mm)



Distributed by



**Headquarters**

No.555 Qianmo Road, Binjiang District,  
 Hangzhou 310051, China  
 T +86-571-8807-5998  
 overseasbusiness@hikvision.com

**Hikvision USA**  
 T +1-909-895-0400  
 sales.usa@hikvision.com

**Hikvision Europe**  
 T +31-23-55-42-770  
 info.eu@hikvision.com

**Hikvision Middle East**  
 T +971-4-8816086  
 salesme@hikvision.com

**Hikvision Russia**  
 T +7-495-669-67-99  
 saleru@hikvision.com

**Hikvision India**  
 T +91-22-28469900  
 sales@pramahikvision.com

**Hikvision Italy**  
 T +39-0438-6902  
 info.it@hikvision.com

**Hikvision France**  
 T +33(0)1-85-330-450  
 info.fr@hikvision.com

**Hikvision Spain**  
 T +34-91-737-16-55  
 info.es@hikvision.com

**Hikvision Poland**  
 T +48-22-460-01-50  
 poland@hikvision.com

**Hikvision UK**  
 T +01628-902140  
 support.uk@hikvision.com

**Hikvision Singapore**  
 T +65-6684-4718  
 sg@hikvision.com

**Hikvision Oceania**  
 T +61-2-8599-4233  
 salesau@hikvision.com

**Hikvision Canada**  
 T +1-909-895-0400  
 sales.usa@hikvision.com

**Hikvision Korea**  
 T +82-31-731-8841  
 sales.korea@hikvision.com

**Hikvision Brazil**  
 T +55 11 3318-0050  
 Latam.support@hikvision.com

**Hikvision Africa**  
 T +27 (10) 0351172  
 sale.africa@hikvision.com

**Hikvision Hong Kong**  
 T +852-2151-1761