

DS-D2055HE-G LCD Display



The DS-D2055HE-G LCD display uses an industry-level extreme-narrow bezel design, which enables a bezel width of 1.8 mm between neighboring displays. The adopted direct-lit LED backlighting technology helps achieve ultra-high and uniform brightness of 700 cd/m² without boundary shadows. The display has abundant interfaces for video inputs, such as DVI, VGA, HDMI, and DP.

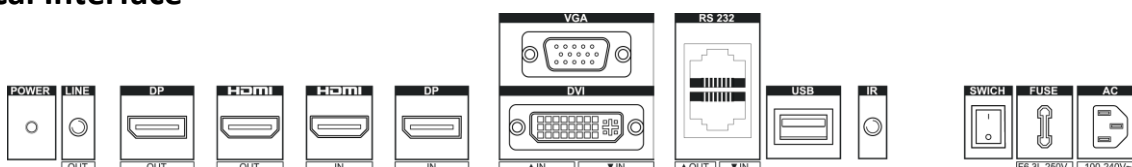
- 4K signal input, auto loop up to 30 screens with HDMI/DP interfaces
- Switching between three picture modes: Monitoring, Meeting, and Movie
- Factory calibration for color and brightness uniformity
- Direct-lit LED backlight with uniform brightness and no boundary shadows
- 1920 × 1080 resolution, 178° viewing angle
- Extreme-narrow 1.8 mm bezel design
- Anti-glare, high definition, high brightness, high color gamut, and vivid images with rich colors
- Stable and 24-hour continuous working
- Metal casing for preventing from radiation and magnetic & electric field interference
- Wall-mount and modular brackets available to meet various installation requirements



▪ Specification

Model		DS-D2055HE-G
Product Model	Product Model	DS-D2055HE-G
Display	Screen size	55 inch
	Active display area	1209.60 (H) mm × 680.40 (V) mm
	Backlight	Direct-lit LED backlight
	Pixel pitch	0.63 mm
	Physical seam	1.8 mm
	Bezel width	0.9 mm (top/left/bottom/right)
	Resolution	1920 × 1080@60 Hz
	Brightness	700 cd/m ²
	Viewing angle	Horizontal 178°, vertical 178°
	Color depth	10Bit, 1060M
	Contrast ratio	1400:1
	Response time	8 ms
	Color gamut	72%NTSC
Surface treatment	Haze 3%, 2H	
Interface	Video & audio input	HDMI × 1, DVI × 1, VGA × 1, DP × 1, USB × 1
	Video & audio output	DP × 1, HDMI × 1
	Control interface	RS232 IN × 1, RS232 OUT × 1
Power	Power supply	100-240 VAC, 50/60 Hz
	Consumption	≤ 230 W
	Standby Power	≤ 0.5 W
Working Environment	Operation Temperature	0°C to 40°C (32°F to 104°F)
	Operation Humidity	10% to 80% RH (non-condensing)
	Storage temperature	-20°C to 60°C (-4°F to 140°F)
	Storage humidity	10% to 80% RH (non-condensing)
General	Casing material	SECC
	Mounting hole pitch	600 (H) mm × 400 (V) mm
	Product dimensions	1211.54 mm × 682.34 mm × 68.9 mm (47.7" × 26.86" × 2.71")
	Package dimensions	Carton with two displays: 1366 mm × 860 mm × 328 mm (53.78" × 33.86" × 12.91") Carton with a single display: 1366 mm × 860 mm × 328 mm (53.78" × 33.86" × 12.91")
	Net weight	24.13 ± 0.5 Kg (53.20 ± 1.1 lb) for single display
	Gross weight	Carton with two displays: 61.06 ± 0.5 Kg (134.61 ± 1.1 lb) Carton with a single display: 36.2 ± 0.5 Kg (79.81 ± 1.1 lb)
	Packing List	LCD display × 1, power cable × 1, network cable × 1, screw × 4, remote control × 1, IR receiver × 1, CD-ROM × 1, RS-232 converter × 1, quick start guide × 1, installation instruction × 1

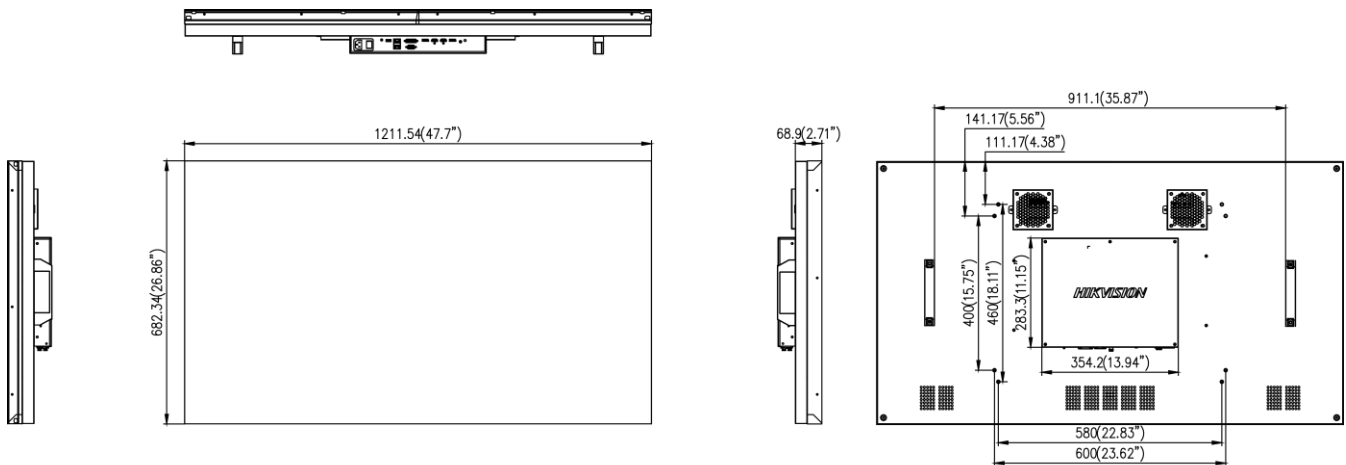
▪ Physical Interface



Interface	Description	Interface	Description
POWER	Power indicator	DVI IN	DVI-I input interface for digital signals
LINE OUT	Audio output interface for analog signals	RS 232 OUT	Serial loopback output interface
DP OUT	DP output interface for digital signals	RS 232 IN	Serial input interface
HDMI OUT	HDMI output interface for	USB	USB interface

	digital signals		
HDMI IN	HDMI input interface for digital signals	IR	IR input interface
DP IN	DP input interface for digital signals	SWITCH	Switch button
VGA IN	VGA input interface for analog signals	-	-

Dimension



Distributed by



Available Model

DS-D2055HE-G

HIKVISION®

Headquarters

No.555 Qianmo Road, Binjiang District,
Hangzhou 310051, China
T +86-571-8807-5998
overseasbusiness@hikvision.com

Hikvision USA
T +1-909-895-0400
sales.usa@hikvision.com

Hikvision Europe
T +31-23-5542770
sales.eu@hikvision.com

Hikvision UK & Ireland
T +01628-902140
sales.uk@hikvision.com

Hikvision UAE
T +971-4-4432090
salesme@hikvision.com

Hikvision Russia
T +7-495-669-67-99
saleru@hikvision.com

Hikvision Australia
T +61-2-8599-4233
salesau@hikvision.com

Hikvision Italy
T +39-0438-6902
info.it@hikvision.com

Hikvision South Africa
Tel: +27 (10) 0351172
sale.africa@hikvision.com

Hikvision Singapore
T +65-6684-4718
sg@hikvision.com

Hikvision Korea
T +82-(0)31-731-8817
sales.korea@hikvision.com

Hikvision India
T +91-22-28469900
sales@pramahikvision.com

Hikvision Brazil
T +55 11 3318-0050
Latam.support@hikvision.com

Hikvision France
T +33(0)1-85-330-450
info.fr@hikvision.com

Hikvision Spain
T +34-91-737-16-55
info.es@hikvision.com

Hikvision Poland
T +48-22-460-01-50
info.pl@hikvision.com

Hikvision Canada
T +1-866-200-6690
sales.canada@hikvision.com

Hikvision Turkey
T +90 (216)521 7070- 7074
sales.tr@hikvision.com

Hikvision Kazakhstan
T +7-727-9730667
nikia.panfilov@hikvision.ru

Hikvision Tashkent
T +99-87-1238-9438
uzb@hikvision.ru

Hikvision Indonesia
T +62-21-2933759
Sales.Indonesia@hikvision.com

Hikvision Thailand
T +662-275-9949
sales.thailand@hikvision.com

Hikvision Malaysia
T +601-7652-2413
sales.my@hikvision.com

Hikvision Vietnam
T +84-974270888
sales.vt@hikvision.com

Hikvision Hong Kong
T +852-2151-1761
info.hk@hikvision.com

Hikvision Colombia
sales.colombia@hikvision.com