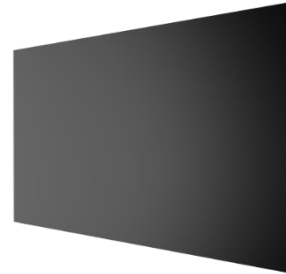


## DS-D4207CI-ZWDB



- Each pixel point on the front of the display unit board module is composed of flip-chip red chip, green chip and blue chip package, and each chip is fixed to the circuit board.
- The back of the display unit board module contains components driver ICs, resistors and capacitors, and the display control system connected to the box can display video, images, and text information.
- The cabinet display unit is a front-dimensional magnetic suction tool, which is equipped with professional magnetic suction tools to complete the installment and debugging
- High Reliability Flip Chip
- Using constant current to drive the chip, uniform light emission, low power consumption
- High contrast ratio can achieve good display effect
- Light weight, easy to Installation and disassembly
- Modular design The whole box is divided into two unit structures: cabinet kits, module brackets



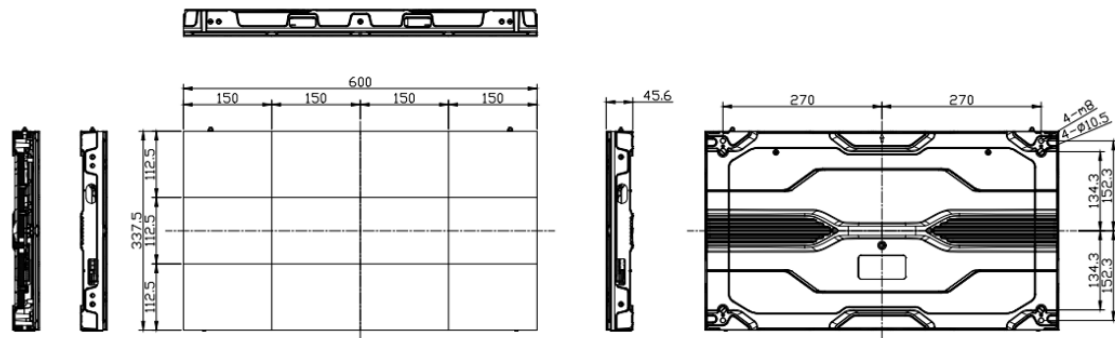
## ▪ Specification

	Model	DS-D4207CI-ZWDB
<b>Cabinet</b>	Pixel Configuration	Flip COB Chip
	Pixel Pitch Category	P0.7
	Pixel Pitch	0.78 mm
	Modules Component	2 Panel
	Dimensions (W × H × D)	600 mm × 337.5 mm × 45.6 mm ( 23.62" x 13.29" x 1.80" )
	Resolution	768 × 432
	Area	0.2025 m <sup>2</sup>
	Weight	6.5 Kg ( 14.3 lb )
	Pixel Density	1638400 dots/m <sup>2</sup>
	Lamp Board Housing	No housing
	Cabinet Material	Die-casting Aluminum
	Maintenance Method	Front & Rear
	Cabinet Flatness	0.1 mm
	Protection Level	Front protection level IP65
<b>Display</b>	White Balance Brightness	600 cd/m <sup>2</sup>
	Color Temperature	3000 K to 10000 K adjustable
	Viewing Angle	Horizontal 160°, vertical 160°
	Contrast Ratio	15000 : 1
	Color Uniformity	≤ ± 0.003Cx, Cy
	Brightness Uniformity	≥ 97%
<b>Processing Performance</b>	Driving Method	Constant current driving
	Frame Frequency	60 Hz
	Refresh Rate	Up to 3840 Hz
	Grey Level	Up to 16 bit
	Display Color	281 trillion
<b>Power</b>	Power Supply	AC100~240V(50-60Hz)
	Max. Consumption	≤ 470 W/m <sup>2</sup>
	Average Consumption	< 157 W/m <sup>2</sup>
<b>Working Environment</b>	Working Temperature	-10 °C to 40 °C (14 °F to 104 °F)
	Working Humidity	10%~80%RH
	Storage Humidity	10%~80%RH
	Storage Temperature	-40 °C to 60 °C (-40 °F to 140 °F)
<b>General</b>	Gross Weight	14.5 Kg ( 32.0 lb )
	Package Dimension (W × H × D)	712 mm × 362 mm × 448 mm (1 Package 4)( 28.03" x 14.25" x 17.64" )
	Lifespan	Lamp 100,000 hours

## ▪ Available Model

DS-D4207CI-ZWDB

## ▪ Dimension



Distributed by



# HIKVISION®

### Headquarters

No.555 Qianmo Road, Binjiang District,  
Hangzhou 310051, China  
T +86-571-8807-5998  
overseasbusiness@hikvision.com

**Hikvision USA**  
T +1-909-895-0400  
sales.usa@hikvision.com

**Hikvision Australia**  
T +61-2-8599-4233  
salesau@hikvision.com

**Hikvision India**  
T +91-22-28469900  
sales@pramahikvision.com

**Hikvision Canada**  
T +1-866-200-6690  
sales.canada@hikvision.com

**Hikvision Thailand**  
T +662-275-9949  
sales.thailand@hikvision.com

**Hikvision Europe**  
T +31-23-5542770  
sales.eu@hikvision.com

**Hikvision Italy**  
T +39-0438-6902  
info.it@hikvision.com

**Hikvision Brazil**  
T +55 11 3318-0050  
Latam.support@hikvision.com

**Hikvision Turkey**  
T +90 (216)521 7070- 7074  
sales.tr@hikvision.com

**Hikvision Malaysia**  
T +601-7652-2413  
sales.my@hikvision.com

**Hikvision UK & Ireland**  
T +01628-902140  
sales.uk@hikvision.com

**Hikvision South Africa**  
Tel: +27 (10) 0351172  
sale.africa@hikvision.com

**Hikvision France**  
T +33(0)1-85-330-450  
info.fr@hikvision.com

**Hikvision Kazakhstan**  
T +7-727-9730667  
nikia.panfilov@hikvision.ru

**Hikvision Vietnam**  
T +84-974270888  
sales.vt@hikvision.com

**Hikvision UAE**  
T +971-4-4432090  
salesme@hikvision.com

**Hikvision Singapore**  
T +65-6684-4718  
sg@hikvision.com

**Hikvision Spain**  
T +34-91-737-16-55  
info.es@hikvision.com

**Hikvision Tashkent**  
T +99-87-1238-9438  
uzb@hikvision.ru

**Hikvision Hong Kong**  
T +852-2151-1761  
info.hk@hikvision.com

**Hikvision Russia**  
T +7-495-669-67-99  
saleru@hikvision.com

**Hikvision Korea**  
T +82-(0)31-731-8817  
sales.korea@hikvision.com

**Hikvision Poland**  
T +48-22-460-01-50  
info.pl@hikvision.com

**Hikvision Indonesia**  
T +62-21-2933759  
Sales.Indonesia@hikvision.com

**Hikvision Colombia**  
sales.colombia@hikvision.com