

## EKI-KxxxD4xx Series 4K NVR Value Express Kits

### Cameras

- 1/3" (4 MP) Progressive Scan CMOS
- 2688 x 1520 @ 30 fps
- 2.8 mm Fixed Lens
- Color: 0.018 Lux @  $f/1.6$ , AGC on), 0 Lux with IR
- H.265+/H.265/H.264+/H.264
- IP67, IK10
- 120 dB WDR
- BLC/3D DNR/ROI/HLC
- Built-in MicroSD/SDHC/SDXC Card Slot, Up to 128 GB
- 3-Axis Adjustment

### 4K NVR

- Up to 8 MP Resolution Recording
- H.265+/H.265/H.264+/H.264/MPEG
- Plug-and-Play with 4, 8, or 16 PoE Cameras
- Up to 2 SATA Interfaces

Hikvision EKI-KxxxD4xx Series 4K NVR Value Express Kits are cost-effective solutions for value-oriented users. Each kit is supplied with four, six, or twelve network cameras with 4 MP image sensors, and a 4-, 8-, or 16-channel 4K NVR in the same box.

Kits are plug-n-play and can be set up quickly.

### Available models:

#### EKI-K41D44

(1) ERI-K104-P4 NVR + (4) ECI-D24F2 Cameras

#### EKI-K82D46

(1) ERI-K108-P8 NVR + (6) ECI-D24F2 Cameras

#### EKI-K164D412

ERI-K216-P16 NVR + (12) ECI-D24F2 Cameras

### EKI-K41D44 4K NVR Kit



(4) 4 MP Cameras



(1) 4 PoE Port 4K NVR

### EKI-K82D46 4K NVR Kit



(6) 4 MP Cameras



(1) 8 PoE Port 4K NVR

### EKI-K164T412 4K NVR Kit



(12) 4 MP Cameras



(1) 16 PoE Port 4K NVR



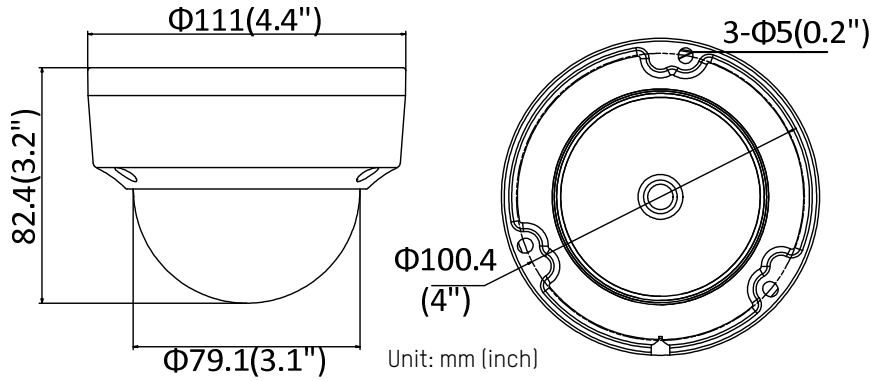
# Specifications

	EKI-K41D44	EKI-K82D46	EKI-K164D412
<b>Camera</b>			
Number of Cameras	4	6	12
Image Sensor	1/3" 4 MP progressive scan CMOS		
Minimum Illumination	Color: 0.018 lux @ (f/1.6, AGC on), 0 lux with IR		
Shutter Speed	1/3 s to 1/100,000 s		
Slow Shutter	Yes		
Day/Night	IR cut filter		
Digital Noise Reduction	3D DNR		
WDR	120 dB		
3-Axis Adjustment	Pan: 0° to 355°, tilt: 0° to 75°, rotate: 0° to 355°		
<b>Lens</b>			
Focal length	2.8 mm		
Aperture	f/1.6		
Focus	Fixed		
FOV	2.8 mm, horizontal FOV: 103°, vertical FOV: 58°, diagonal FOV: 123°		
Lens Mount	M12		
<b>IR</b>			
IR Range	Up to 98 ft (30 m)		
Wavelength	850 nm		
<b>Compression Standard</b>			
Video Compression	Main stream: H.265/H.264 Sub-stream: H.265/H.264/MJPEG		
H.264 Type	Main Profile/High Profile		
H.264+	Main stream supports		
H.265 Type	Main Profile		
H.265+	Main stream supports		
Video Bit Rate	32 Kbps to 16 Mbps		
<b>Alarm Triggers</b>			
Basic Event	Motion detection, video tampering alarm, exception (network disconnected, IP address conflict, illegal login, HDD full, HDD error)		
Linkage Method	Trigger recording: memory card, network storage, pre-record and post-record Trigger captured pictures uploading: FTP, HTTP, NAS, e-mail Trigger notification: HTTP, ISAPI, e-mail		
Region of Interest	1 fixed region for main stream and sub-stream		
<b>Image</b>			
Maximum Resolution	2688 × 1520		
Main Stream	30 fps (2688 × 1520, 2560 × 1440, 2304 × 1296, 1920 × 1080, 1280 × 720)		
Sub-Stream	30 fps (640 × 480, 640 × 360, 320 × 240)		
Image Enhancement	BLC/3D DNR/HLC		
Image Setting	Rotate mode, saturation, brightness, contrast, sharpness, AGC, and white balance adjustable by client software or Web browser		
Target Cropping	No		
Day/Night Switch	Day/Night/Auto/Schedule		
<b>Network</b>			
Network Storage	Supports microSD/SDHC/SDXC card (128 GB), local storage and NAS (NFS, SMB/CIFS), ANR		
Protocols	TCP/IP, UDP, ICMP, HTTP, HTTPS, FTP, DHCP, DNS, DDNS, RTP, RTSP, RTCP, PPPoE, NTP, UPnP, SMTP, SNMP, IGMP, 802.1x, QoS, IPv6, UDP, Bonjour, SSL/TLS		
General Function	Anti-flicker, heartbeat, mirror, privacy masks, password reset via e-mail, pixel counter, HTTP listening		
API	ONVIF (PROFILE S, PROFILE G, PROFILE T), ISAPI, SDK, Ehome		
Security	Password protection, complicated password, HTTPS encryption, 802.1x authentication (EAP-TLS 1.2, EAP-LEAP, EAP-MD5), watermark, IP address filter, basic and digest authentication for HTTP/HTTPS, WSSE and digest authentication for ONVIF, TLS1.2		
Simultaneous Live View	Up to 6 channels		
User/Host	Up to 32 users 3 levels: administrator, operator, and User		
Client	iVMS-4200, Hik-Connect, HikCentral		
Web Browser	Plug-in required live view: IE8+ Plug-in free live view: Chrome 57.0+, Firefox 52.0+, Safari 11+ Local Service: Chrome 41.0+, Firefox 30.0+		

# Specifications (continued)

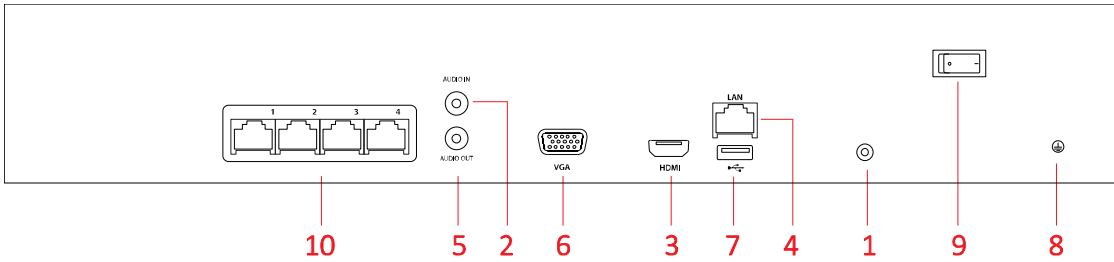
Interface			
Communication Interface	1 RJ-45 10M/100M self-adaptive Ethernet port		
Video Output	No		
On-Board Storage	Built-in microSD/SDHC/SDXC slot, up to 128 GB		
SVC	H.264 and H.265 encoding		
Reset Button	Yes		
Audio (-S)			
Environment Noise Filtering	Yes		
Audio Sampling Rate	8 kHz/16 kHz/32 kHz/44.1 kHz/48 kHz		
General			
Operating Conditions	-30° to +60° C (-22° to +140° F), humidity 95% or less (non-condensing)		
Web Client Language	English, Russian, Estonian, Bulgarian, Hungarian, Greek, German, Italian, Czech, Slovak, French, Polish, Dutch, Portuguese, Spanish, Romanian, Danish, Swedish, Norwegian, Finnish, Croatian, Slovenian, Serbian, Turkish, Korean, Traditional Chinese, Thai, Vietnamese, Japanese, Latvian, Lithuanian, Portuguese (Brazil)		
Power Supply	12 VDC ±25%, Ø5.5 mm coaxial power plug PoE (802.3af, class 3)		
Power Consumption and Current	12 VDC, 0.5 A, maximum 6 W PoE (802.3af, 36 V to 57 V), 0.2 A to 0.1 A, maximum 7.5 W		
Protection Level	IP67, IK10		
Material	Camera body: metal, bubble: plastic		
Dimensions	Camera: Ø111 × 82.4 mm (Ø4.4" × 3.2") Package: 134 × 134 × 108 mm (5.3" × 5.3" × 4.3")		
Weight	Camera: approximately 610 g (1.3 lb) With package: approximately 820 g (1.8 lb)		
NVR			
NVR Model	ERI-K104-P4	ERI-K108-P8	ERI-K216-P16
Video/Audio Input			
IP Video Input	4-ch Up to 8 MP resolution	8-ch	16-ch
Two-Way Audio	1-ch, RCA (2.0 Vp-p, 1K Ω)		
Network			
Incoming Bandwidth	40 Mbps	80 Mbps	160 Mbps
Outgoing Bandwidth	80 Mbps		
Video/Audio Output			
Recording Resolution	8 MP/6 MP/5 MP/4 MP/3 MP/1080p/UXGA/720p/VGA/4CIF/DCIF/2CIF/CIF/QCIF		
HDMI Output Resolution	1-ch, 1920 × 1080p, 1600 × 1200, 1280 × 1024, 1280 × 720, 1024 × 768		
VGA Output Resolution	1-ch, 1920 × 1080p, 1600 × 1200, 1280 × 1024, 1280 × 720, 1024 × 768		
Audio Output	1-ch, RCA (linear, 1K Ω)		
Decoding			
Decoding Format	H.265/H.265+/H.264/H.264+/MPEG4		
Live View/Playback Resolution	8 MP/6 MP/5 MP/4 MP/3 MP/1080p/UXGA/720p/VGA/4CIF/DCIF/2CIF/CIF/QCIF		
Synchronous Playback	4-ch	8-ch	16-ch
Capability	1-ch @ 8 MP/4-ch @ 1080p		
Network Management			
Network Protocols	TCP/IP, DHCP, Hik-Connect, DNS, DDNS, NTP, SADP, SMTP, NFS, iSCSI, UPnP™, HTTPS		
Hard Disk			
SATA	1 SATA interface	2 SATA interfaces	
Drive Bays	1	2	
Capacity for Each Disk	Up to 6 TB		
External Interface			
Network Interface	1, RJ-45 10/100/1000 Mbps self-adaptive Ethernet interface		
USB Interface	2 × USB 2.0		
PoE Interface			
Interface	4, RJ-45 10/100 Mbps self-adaptive Ethernet interface	8, RJ-45 10/100 Mbps self-adaptive Ethernet interface	16, RJ-45 10/100 Mbps self-adaptive Ethernet interface
Power	≤50 W	≤80 W	≤150 W
Standard	IEEE 802.3 af/at		
General			
Power Supply	48 VDC	100 to 240 VAC	
Power Consumption (w/o Hard Disk)	≤65 W	≤180 W	≤280 W
Working Temperature	-10 to 55° C (14 to 131° F)		
Working Humidity	10% to 90% (non-condensing)		
Chassis	1U chassis		
Dimensions (W × D × H)	315 mm × 240 mm × 48 mm (12.4" × 9.4" × 1.9")	385 mm × 315 mm × 52 mm (15.2" × 12.4" × 2.0")	
Weight (w/o Hard Disk)	≤1 kg (2.2 lb)	≤2.6 kg (5.7 lb)	

# Camera Dimensions

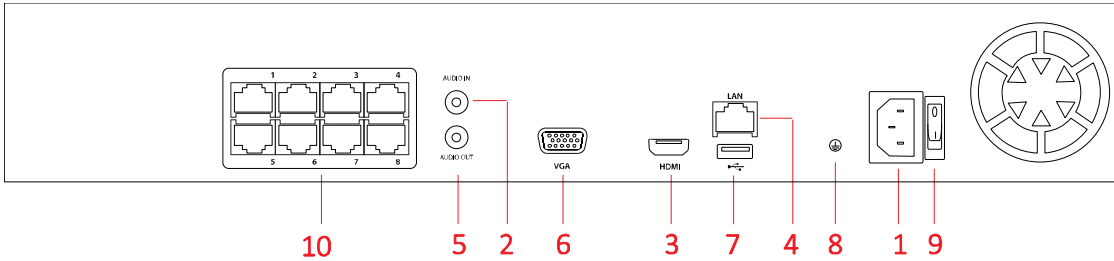


# Camera and NVR Interface

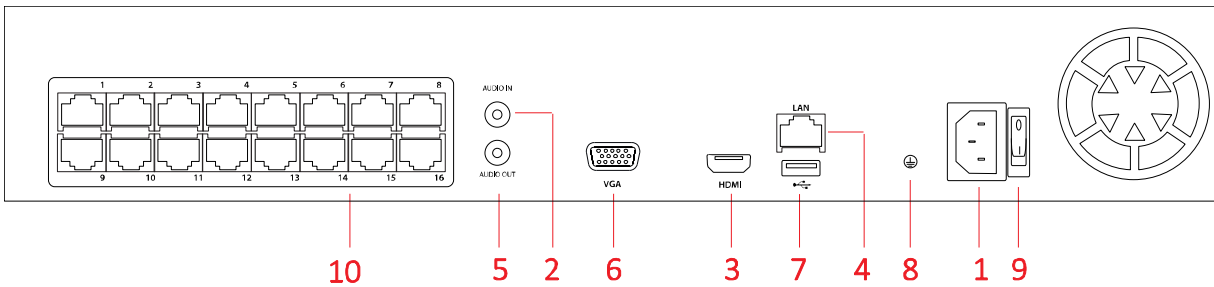
ERI-K104-P4 Rear Panel



ERI-K108-P8 Rear Panel



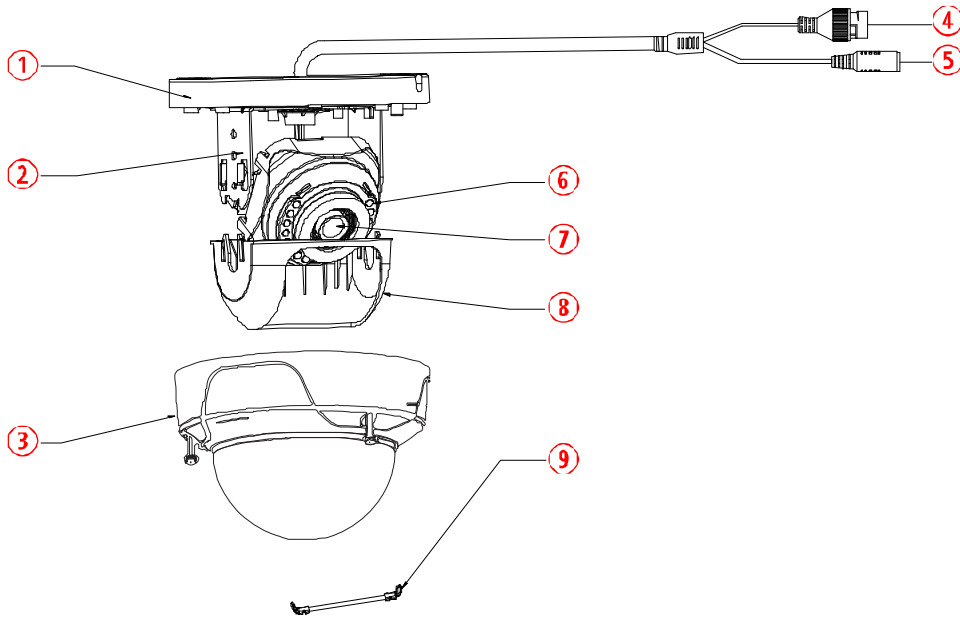
ERI-K216-P16 Rear Panel



Index	Description	Index	Description
1	48 VDC Power Supply	6	VGA Interface
2	Audio In	7	USB 2.0 Interface
3	HDMI Interface	8	Ground
4	LAN Interface	9	Power Switch
5	Audio Out	10	LAN Network Interfaces with PoE Function

# Interface (continued)

ECI-D24F2 Camera



## Accessories (not included)

						
<b>PC110</b> Pendant Cap	<b>WML</b> Wall Mount Large	<b>WMS</b> Wall Mount Small	<b>CB110</b> Conduit Base	<b>CPM</b> Ceiling Pendant Mount	<b>CPME</b> Ceiling Pendant Mount Extension	<b>RPM</b> Roof Parapet Mount
						
<b>PM</b> Pole Mount	<b>CM</b> Corner Mount	<b>SRS</b> Sun/Rain Shield Small	<b>SRSM</b> Sun/Rain Shield Medium	<b>SRSL</b> Sun/Rain Shield Large		